

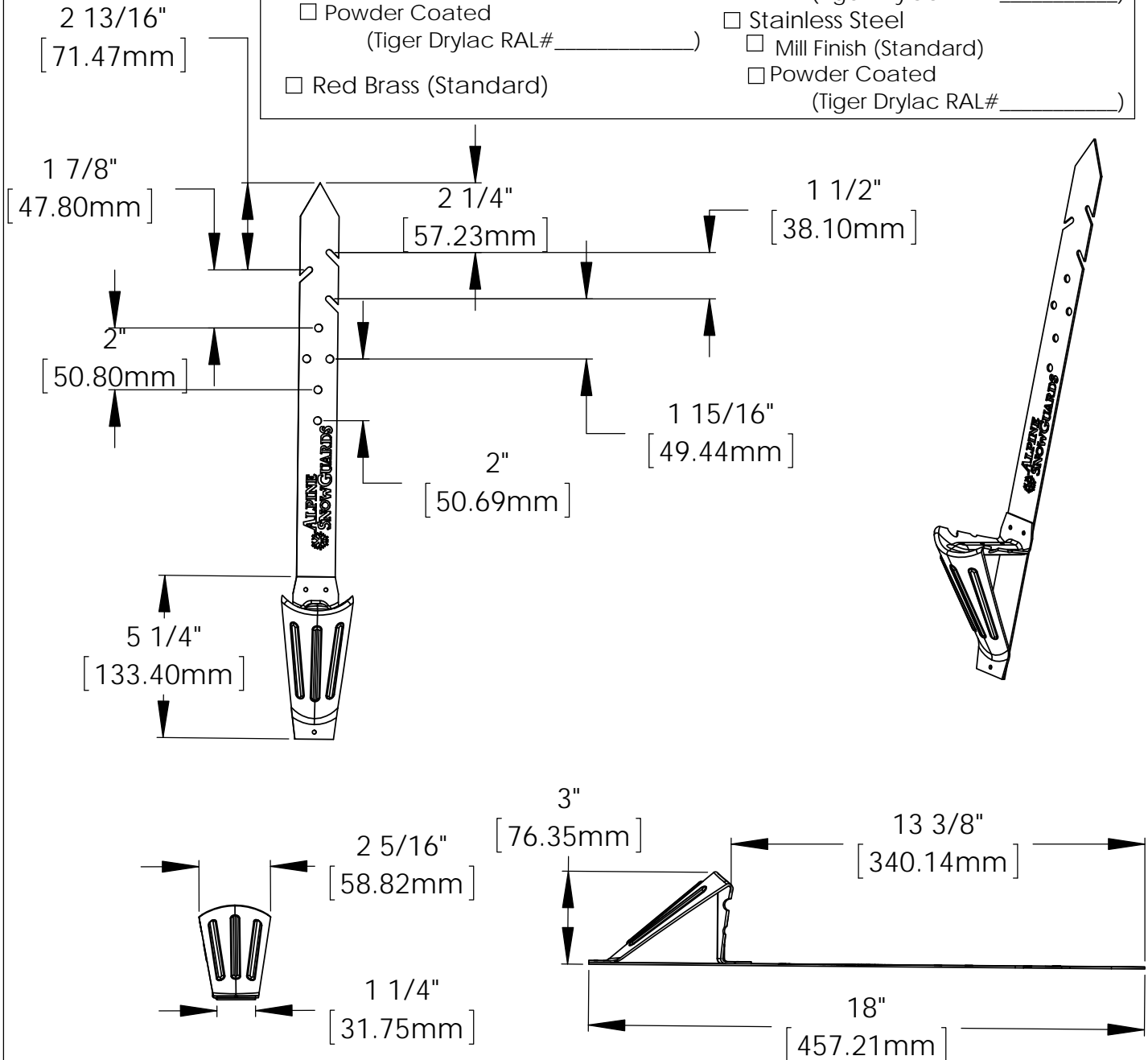
# Cut Sheet - FUSION-GUARD

1. Installation to be completed in accordance with manufacturer's written specifications and installation instructions.
2. See spec sheet or contact manufacturer for detailed material, finishes, and configuration options.
3. Contact manufacturer for detailed layout.
4. Do not scale drawings.
5. Subject to change without notice.
6. For patent information, visit our Patent Page.

## Available Materials/Finishes:

- Cold Rolled Steel
  - Pre-Powder Coated Dark Bronze
  - Powder Coated (Tiger Drylac RAL# \_\_\_\_\_)
  - Red Brass (Standard)

- Aluminum
  - Mill Finish (Standard)
  - Powder Coated (Tiger Drylac RAL# \_\_\_\_\_)
- Stainless Steel
  - Mill Finish (Standard)
  - Powder Coated (Tiger Drylac RAL# \_\_\_\_\_)



289 Harrel Street  
 Morrisville, VT 05661  
 Phone: 1.888.766.4273  
 Fax: 1.888.766.9994  
 Email: [Info@alpinesnowguards.com](mailto:Info@alpinesnowguards.com)

Scale: 1:5

7/22/2020