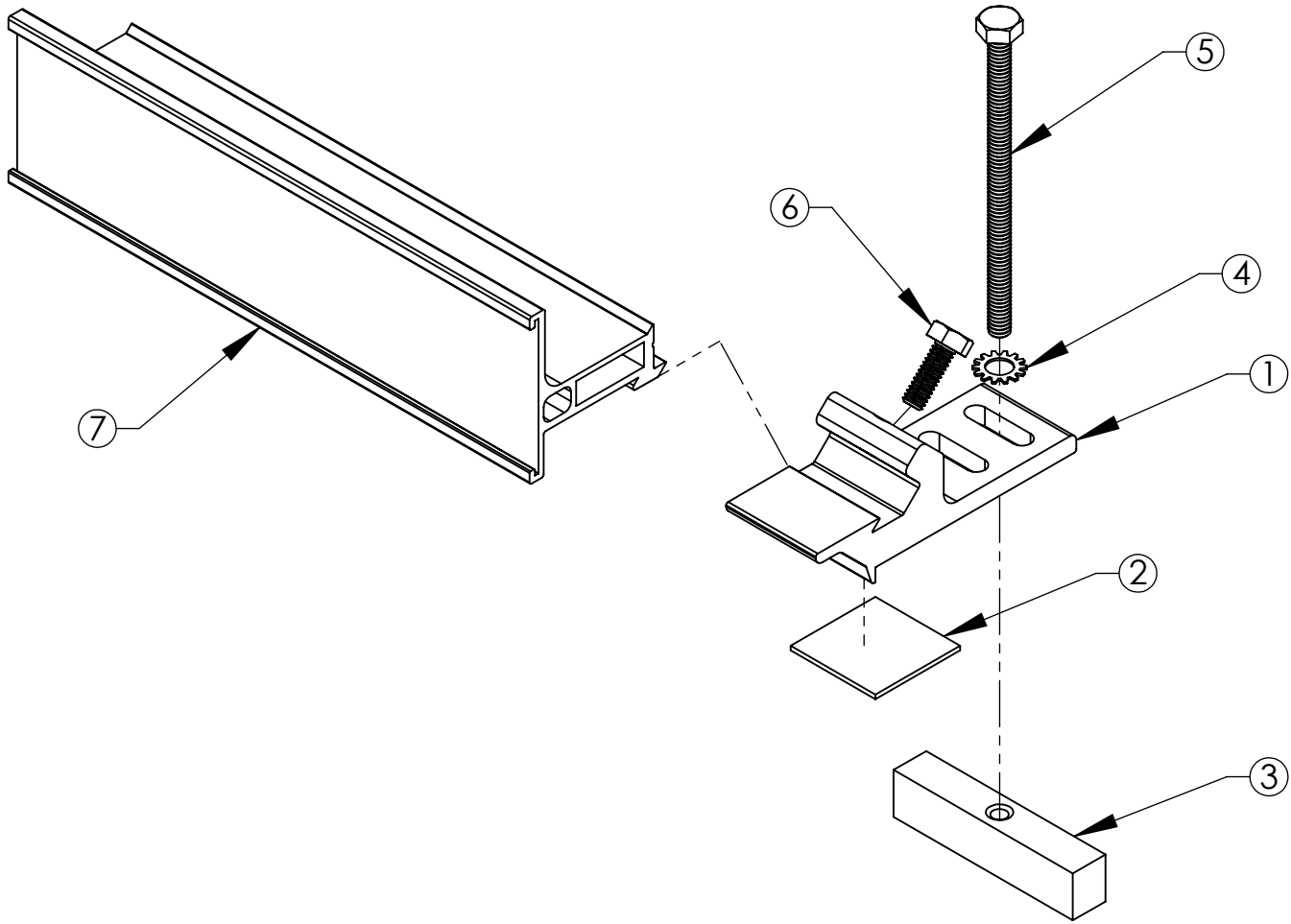


# Assembly Sheet - SSM-R2

1. Installation to be completed in accordance with manufacturer's written specifications and installation instructions.
2. See spec sheet or contact manufacturer for detailed material, finishes, and configuration options.
3. Contact manufacturer for detailed layout.
4. Do not scale drawings.
5. Subject to change without notice.



ITEM NO.	PART CODE	DESCRIPTION	QTY
1	SSM BRKT-R2	SSM R2 4x1.472 6005T5	1
2	SSM-RS-TAPE	V2B62 .63X1.3X1.3 Diecut SQ	1
3	T-NUT SNOWMAX	SnowMax T-Nut	1
4	W-STR SS-.25	Stainless Steel Star Washer .25 ID	1
5	B-HX SS-.25-20X(3.4-4.5)	Stainless Steel Hex Tap Bolt .25-20x(3.5-4.5)	1
6	B-HX SS-.25-20X.75	Stainless Steel Hex Tap Bolt .25-20x.75	1
7	SNOWMAX-BAR	SnowMax Bar 2"	N/A



289 Harrel Street  
Morrisville, VT 05661

Toll Free Phone 1.888.766.4273  
Toll Free Fax 1.888.766.9994

Toll Free Phone 1.877.859.3947  
Toll Free Fax 1.888.766.9994

Material: See Spec Sheet

Scale: 1:2

5/1/2015

ASG: X

EFS: -