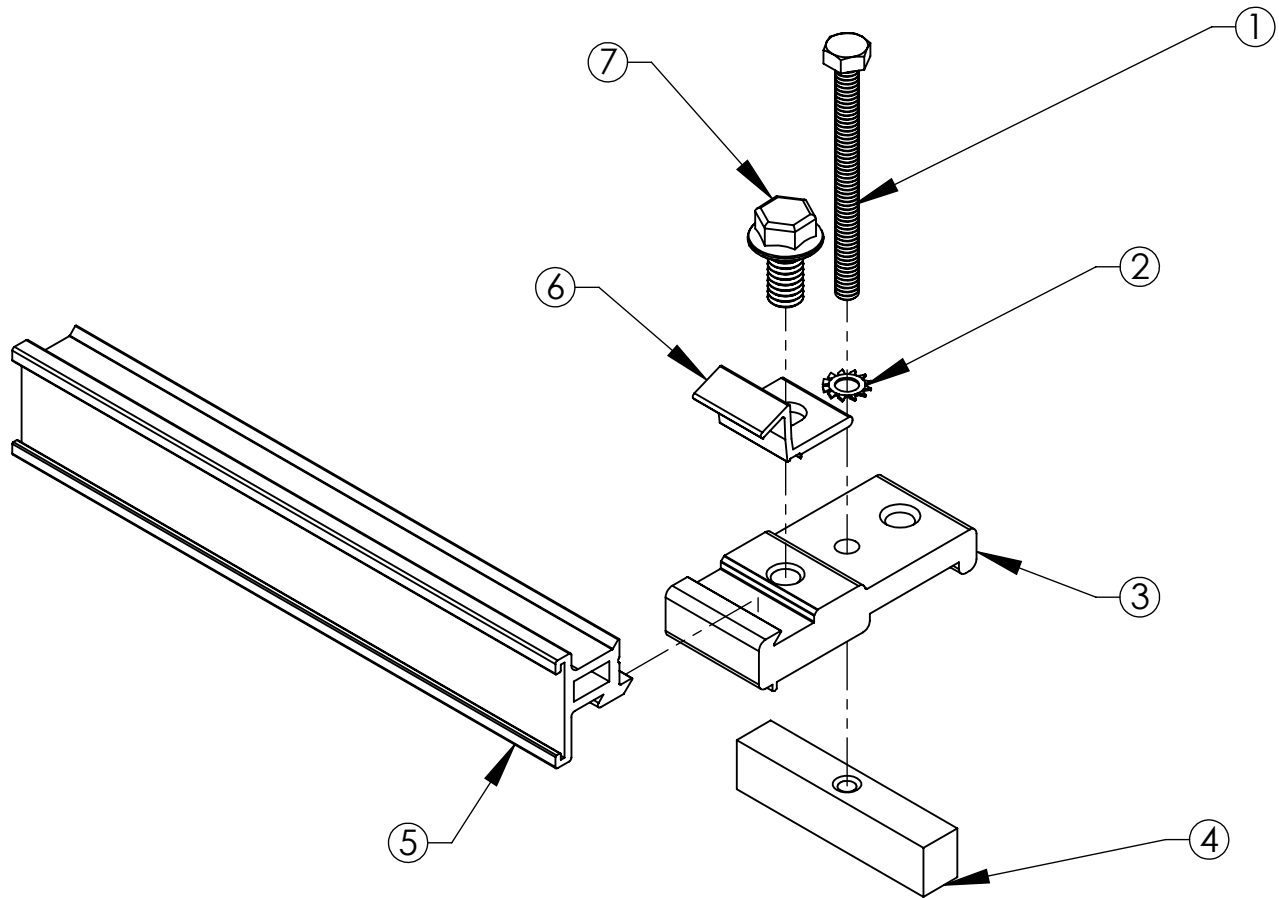


Assembly Sheet - SSM-SnowMax Bracket (SSM-BRKT)

1. Installation to be completed in accordance with manufacturer's written specifications and installation instructions.
2. See spec sheet or contact manufacturer for detailed material, finishes, and configuration options.
3. Contact manufacturer for detailed layout.
4. Do not scale drawings.
5. Subject to change without notice.



ITEM NO.	PART CODE	DESCRIPTION	QTY
1	B-HX SS-.25-20X(3.5-4.5)	Stainless Steel Hex Tap Bolt .25-20x(3.5-4.5)	1
2	W-STR SS-.25	Stainless Steel Star Washer .25ID	1
3	SMX BRKT-BLANK	SnowMax Bracket	1
4	T-NUT SNOWMAX	SnowMax T-Nut	1
5	SSM-BAR	Solar SnowMax Bar 1"(Not Included)	1
6	SSM-WASHER	SSM Washer-Aluminum	1
7	B-FL SS-.375-16X.75	Stainless Steel Flange Bolt .375-16x.75	1



289 Harrel Street
Morrisville, VT 05661

Toll Free Phone 1.888.766.4273
Toll Free Fax 1.888.766.9994

Toll Free Phone 1.877.859.3947
Toll Free Fax 1.888.766.9994

Material: See Spec Sheet

Scale: 1:2

5/1/2015

ASG: X

EFS: -