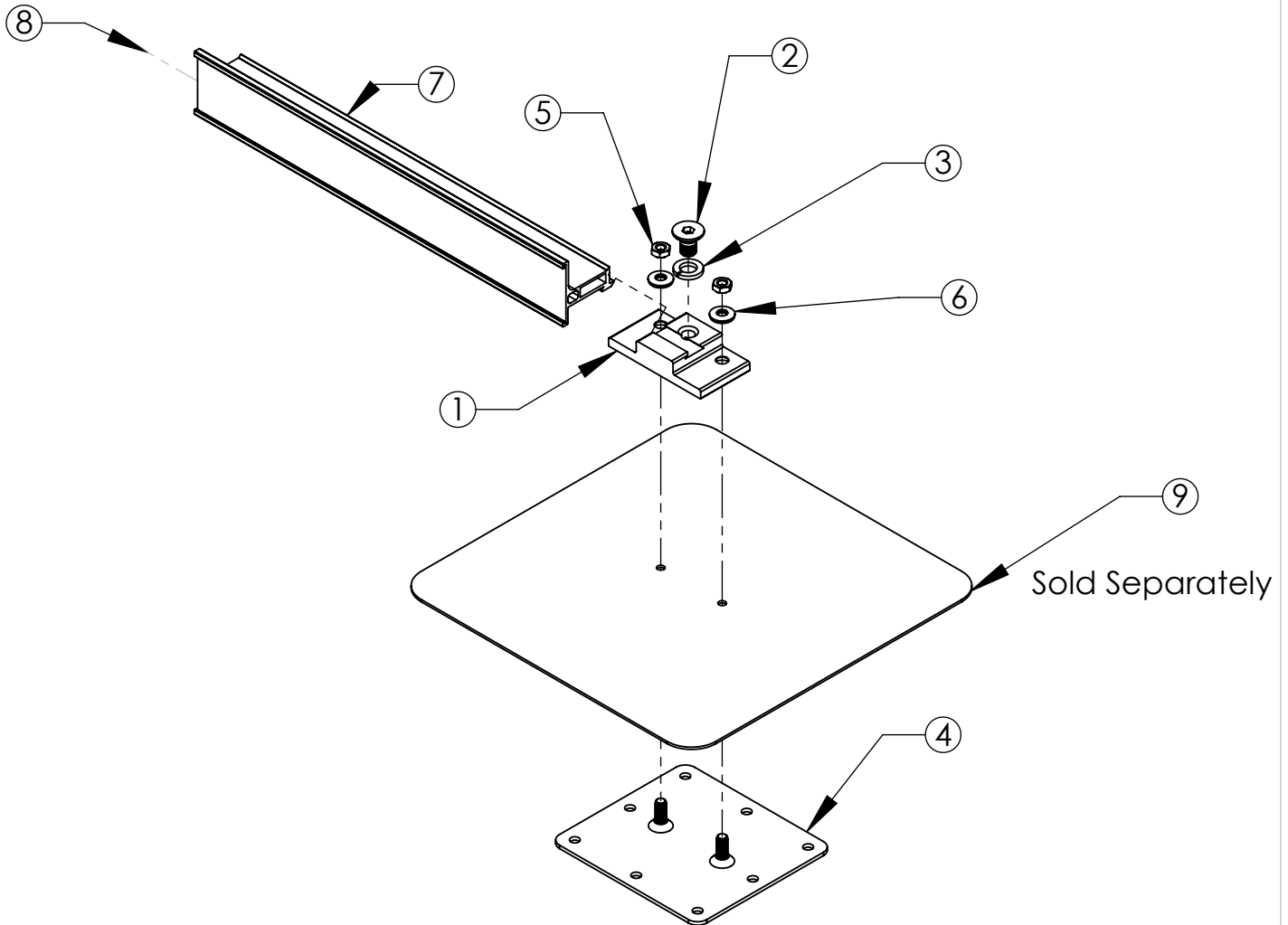


Assembly Sheet - SNOWMAX-MEMBRANE

1. Installation to be completed in accordance with manufacturer's written specifications and installation instructions.
2. See spec sheet or contact manufacturer for detailed material, finishes, and configuration options.
3. Contact manufacturer for detailed layout.
4. Do not scale drawings.
5. Subject to change without notice.



ITEM NO.	PART CODE	DESCRIPTION	QTY
1	SMX-F202 DOVETAIL	SNOWMAX F-202 DOVETAIL BRKT	1
2	B-FLT SS-M12X1.75X25	SS FLAT HEAD BOLT M12-1.75X25 (INCLUDED IN POLY KIT SM U2)	1
3	W-LOCK SS-.5	SS LOCK WASHER .5 ID (INCLUDED IN POLY KIT SM U2)	1
4	EF-65-BASE-SS	EF-65 5.5X6 BP-SS	1
5	N-HX SS-.313-18	SS HEX NUT .313-18 (INCLUDED IN POLY KIT ECO 65 BASE)	2
6	W-NEO SS.313	SS EPDM BONDED WASHER .313 ID (INCLUDED IN POLY KIT ECO 65 BASE)	2
7	SNOWMAX-BAR	SNOWMAX BAR 2"-AL	AS NEEDED
8	SNOWMAX-CI	SNOWMAX 2" COLOR INSERT (OPTIONAL)	AS NEEDED
9	TARGET PATCH FLASHING	TARGET PATCH FLASHING (SOLD SEPARATELY)	1



289 Harrel Street
 Morrisville, VT 05661
 Phone: 1.888.766.4273
 Fax: 1.888.766.9994

Scale: 1:5

8/8/2017