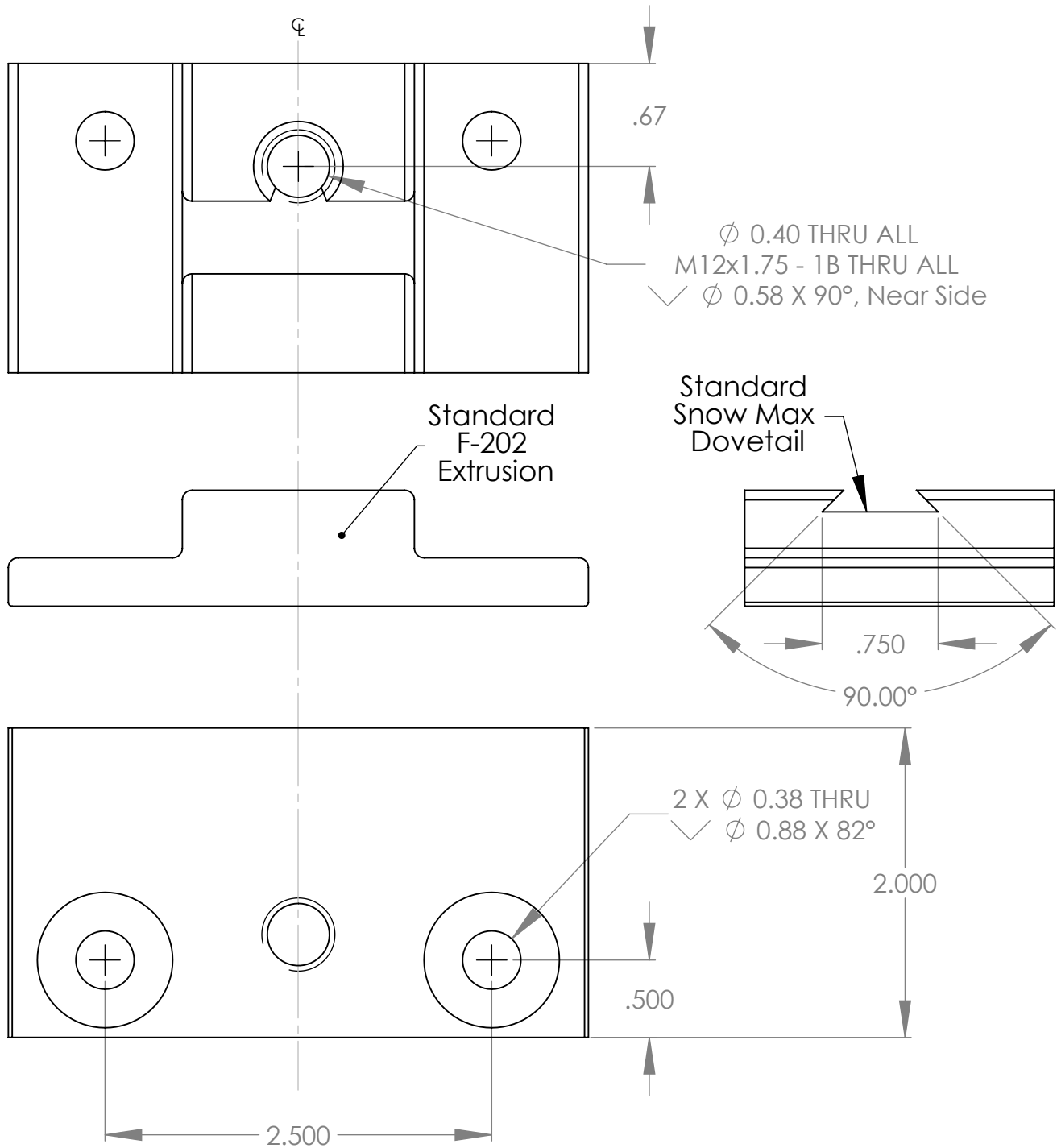


# Cut Sheet - SnowMax-F-202-Block

1. Installation to be completed in accordance with manufacturer's written specifications and installation instructions.
2. See spec sheet or contact manufacturer for detailed material, finishes, and configuration options.
3. Contact manufacturer for detailed layout.
4. Do not scale drawings.
5. Subject to change without notice.



**ALPINE  
SNOWGUARDS®**  
www.alpinesnowguards.com

Toll Free Phone 1.877.479.9765  
Toll Free Fax 1.888.766.9994



**EcoFasten Solar®**  
www.ecofastensolar.com

Toll Free Phone 1.877.859.3947  
Toll Free Fax 1.888.766.9994

289 Harrel Street  
Morrisville, VT 05661

Material: See Spec Sheet

Scale: 1:1

04-08-2013

ASG: X

EFS: -