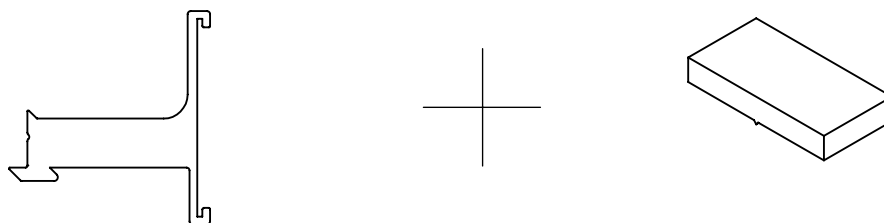
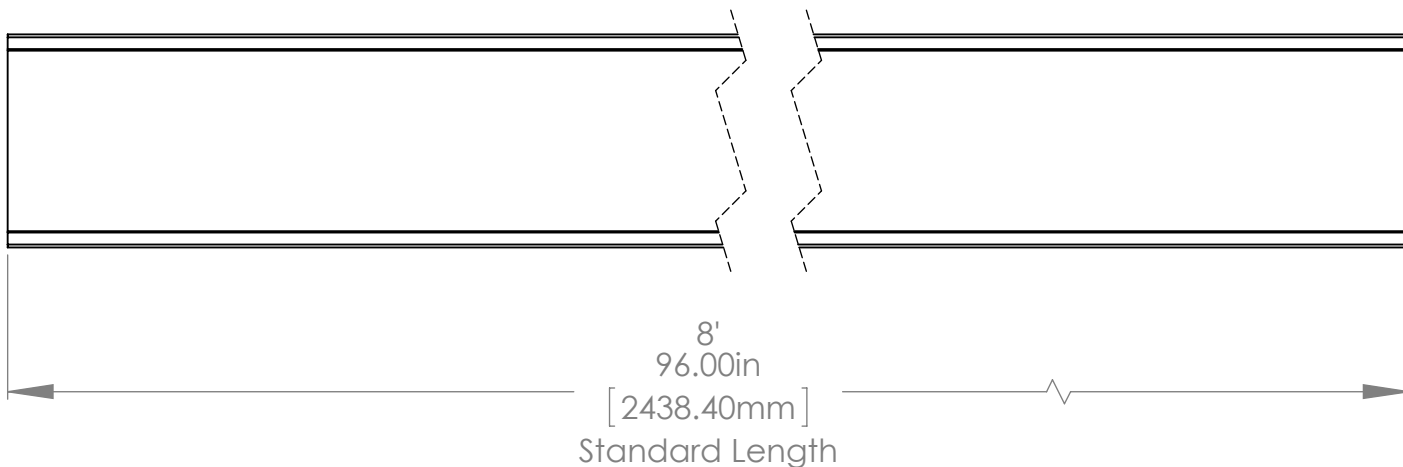


# Cut Sheet - SnowMax Bar

1. Installation to be completed in accordance with manufacturer's written specifications and installation instructions.
2. See spec sheet or contact manufacturer for detailed material, finishes, and configuration options.
3. Contact manufacturer for detailed layout.
4. Do not scale drawings.
5. Subject to change without notice.



Note:  
(1) 8' Length of SnowMax Bar Comes With (1) Splice Plate



Toll Free Phone 1.888.766.4273  
Toll Free Fax 1.888.766.9994



Toll Free Phone 1.877.859.3947  
Toll Free Fax 1.888.766.9994

289 Harrel Street  
Morrisville, VT 05661

Material: See Spec Sheet

Scale: 1:2 | 4/30/2015 | ASG: X | EFS: -