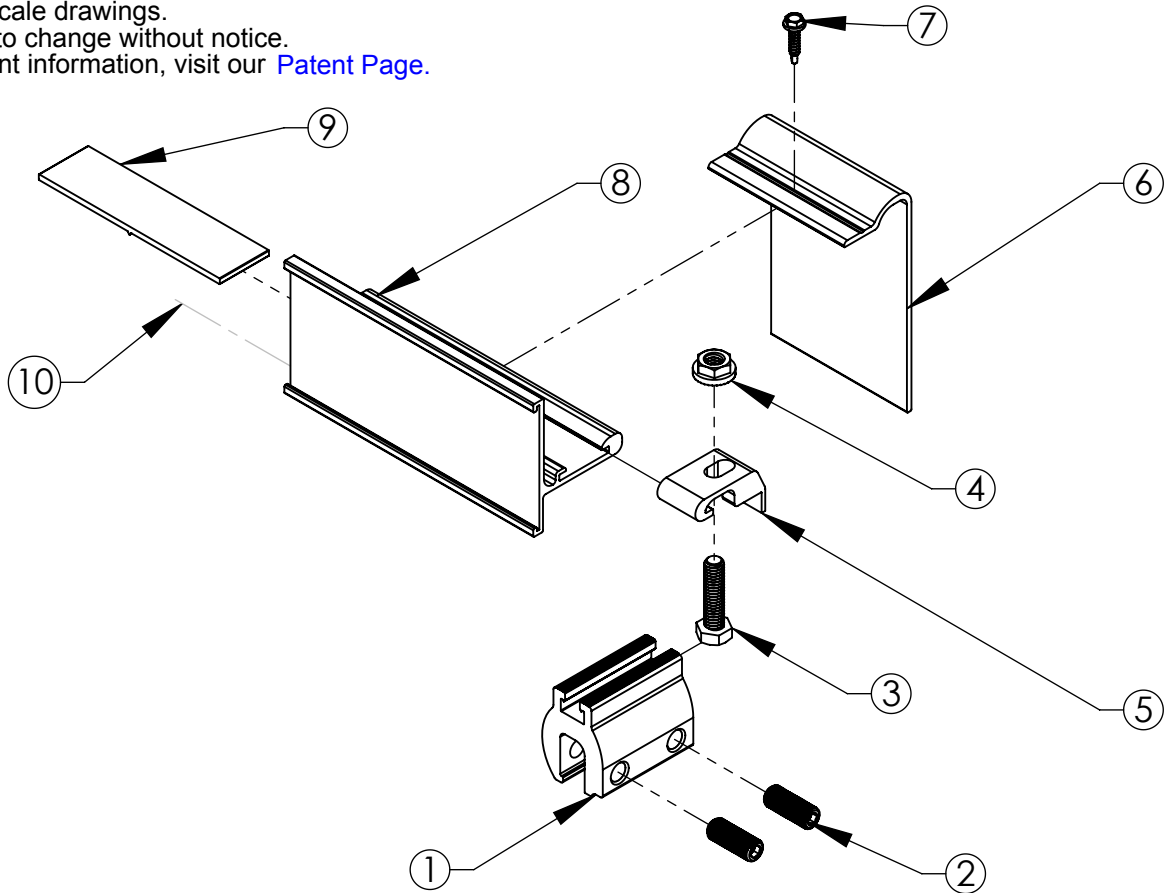


Alpine SimpleGuard

Assembly Sheet - ALPINE SIMGUARD

1. Installation to be completed in accordance with manufacturer's written specifications and installation instructions.
2. See spec sheet or contact manufacturer for detailed material, finishes, and configuration options.
3. Contact manufacturer for detailed layout.
4. Do not scale drawings.
5. Subject to change without notice.
6. For patent information, visit our [Patent Page](#).



ITEM NO.	PART CODE	DESCRIPTION	QTY
1	SIMPLEBLOCK-U-AL	2" SIMPLEBLOCK-U SSR-AL	1
2	SET-O SS-.375-24X875	SS SET SCREW OP .3750-24X.875 (PRE-INSTALLED)	2
3	B-HX SS-.313-18X1.25	SS HEX BOLT .313-18X1.25 (INCLUDED IN POLY KIT SIMPLEBLOCK)	2
4	N-FL SS-.313-18	SS FLANGE NUT .313-18 (INCLUDED IN POLY KIT SIMPLEBLOCK)	1
5	ALPINE SIMGUARD-CLIP	ALPINE SIMPLEGUARD CLIP-AL	1
6	ALPINE SIMGUARD-IF	ALPINE SIMPLEGUARD ICE FLAG-AL (OPTIONAL)	AS NEEDED
7	SCRW SS-8-18X.75	SS TEK SCREW 8-18X.75 (INCLUDED IN POLY KIT SM ICE FLAG)	1 PER ICE FLAG
8	ALPINE SIMGUARD-BAR	ALPINE SIMPLEGUARD BAR-AL	AS NEEDED
9	ALPINE SIMBAR-SPLICE	ALPINE SIMPLEGUARD SPLICE-AL (INCLUDED WITH BAR)	AS NEEDED
10	ALPINE SIMGUARD-CI	SIMPLEGUARD COLOR INSERT 2.365 (OPTIONAL)	AS NEEDED



289 Harrel Street
 Morrisville, VT 05661
 Phone: 1.888.766.4273
 Fax: 1.888.766.9994
 Email: Info@alpinesnowguards.com

Scale: 1:3

10/11/2018