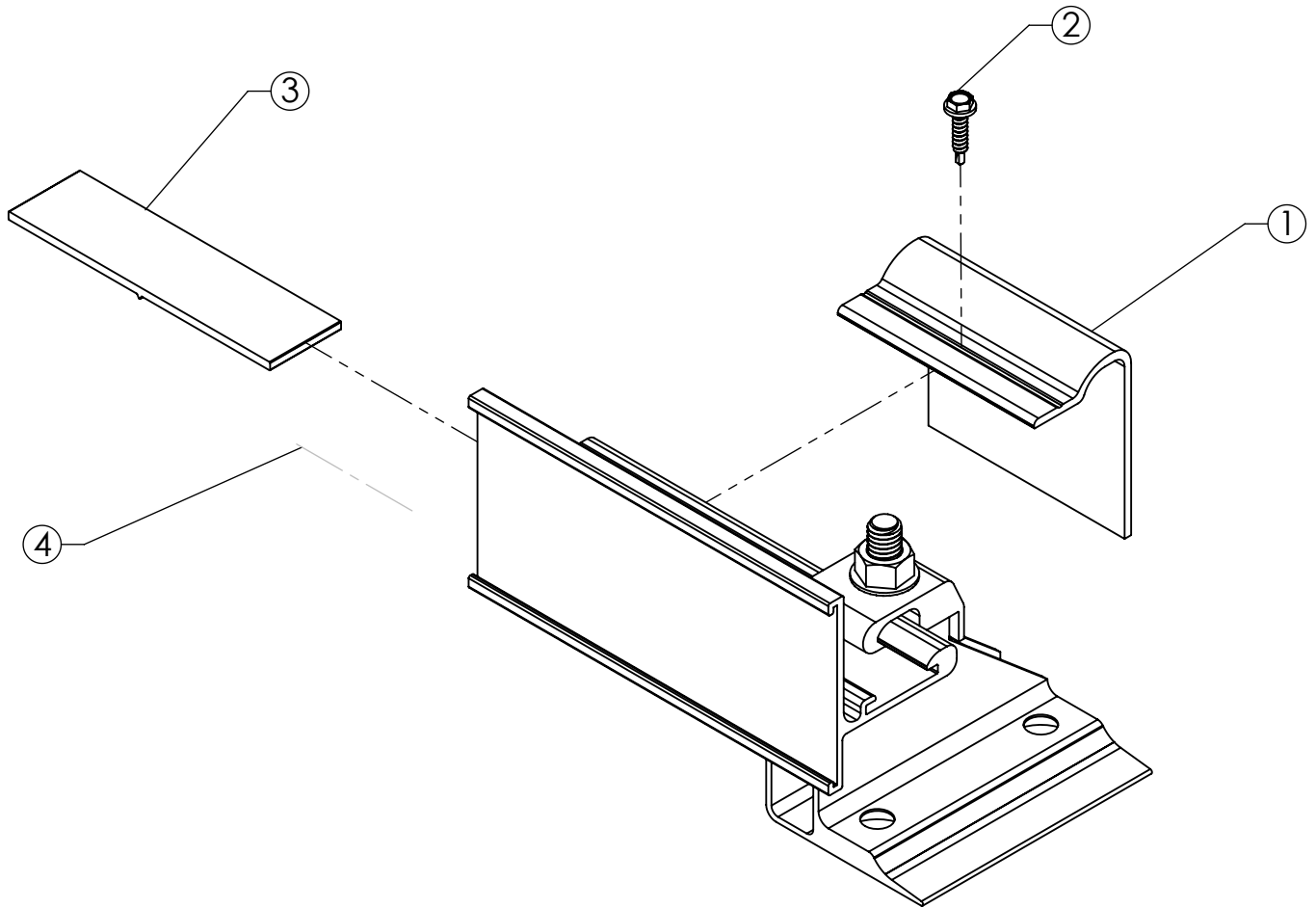


# Alpine SafeGuard

## Assembly Sheet - BAR ACCESSORIES

1. Installation to be completed in accordance with manufacturer's written specifications and installation instructions.
2. See spec sheet or contact manufacturer for detailed material, finishes, and configuration options.
3. Contact manufacturer for detailed layout.
4. Do not scale drawings.
5. Subject to change without notice.
6. For patent information, visit our [Patent Page](#).



ITEM NO.	PART CODE	DESCRIPTION	QTY
1	ALPINE SIMGUARD-IF	ALPINE SIMPLEGUARD ICE FLAG-AL (OPTIONAL)	AS NEEDED
2	SCRW SS-8-18X.75	SS TEK SCREW 8-18X.75 (INCLUDED IN POLY KIT SM ICE FLAG)	1 PER ICE FLAG
3	ALPINE SIM-SPLICE	ALPINE SIMPLEGUARD-SPLICE-AL (INCLUDED WITH BAR)	AS NEEDED
4	ALPINE SIMGUARD-CI	SIMPLEGUARD COLOR INSERT STRIP 2.365 (OPTIONAL)	AS NEEDED



289 Harrel Street  
 Morrisville, VT 05661  
 Phone: 1.888.766.4273  
 Fax: 1.888.766.9994  
 Email: [Info@alpinesnowguards.com](mailto:Info@alpinesnowguards.com)

Scale: 1:2

10/11/2018