

ALPINE LEDGE GUARD-12"



AVAILABLE MATERIALS:

- Aluminum (Aluminum Accessories)

AVAILABLE FINISHES:

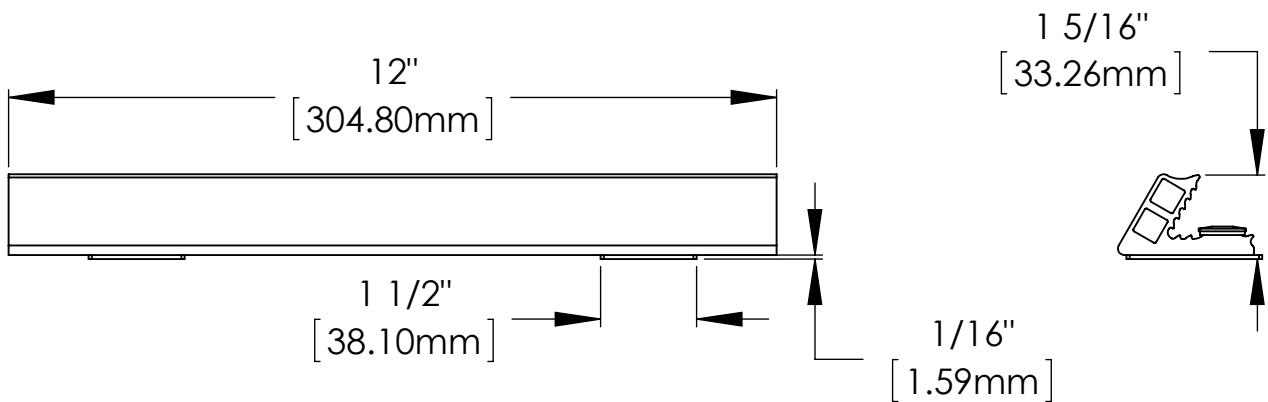
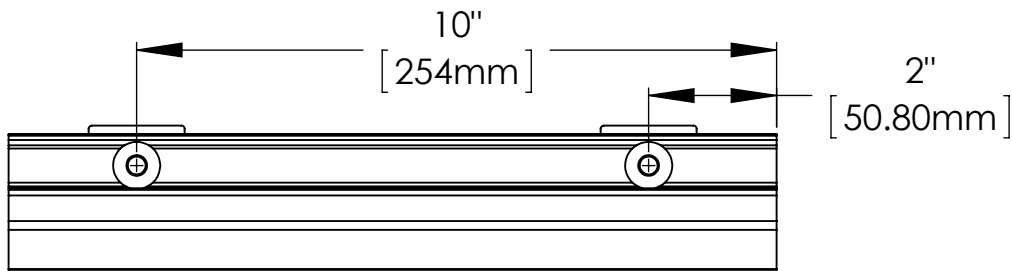
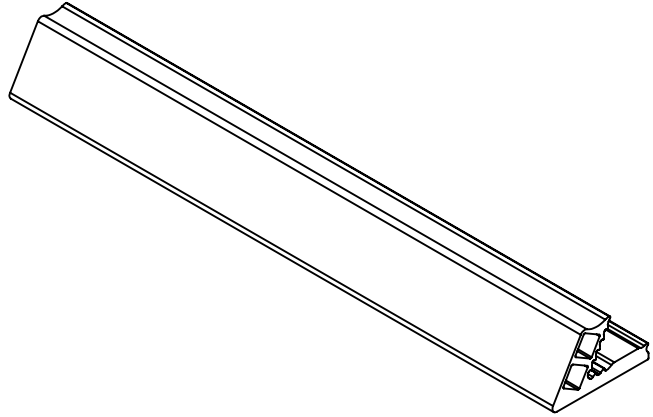
- Mill Finish (standard)
- Powder Coating (additional charge) using RAL TIGER Drylac® Exterior colors

FEATURES/ADVANTAGES:

- Extensive Performance and large climatic chamber testing (testing performed by Microclimate Ice and Snow at the University of Ontario Institute of Technology).
- Mitigates the risk of falling ice and snow to busy sidewalks and streets below.
- Low profile for minimal visual impact.
- Rugged, yet sleek design stands up to high winds.
- All of our snow guards are tested extensively in the field by roofing experts.
- End collars and couplings are available for this system.

Alpine LedgeGuard Cut Sheet - ALPINE LEDGE-12" System

1. Installation to be completed in accordance with manufacturer's written specifications and installation instructions.
2. See spec sheet or contact manufacturer for detailed material, finishes, and configuration options.
3. Contact manufacturer for detailed layout.
4. Do not scale drawings.
5. Subject to change without notice.
6. For patent information, visit our [Patent Page](#).



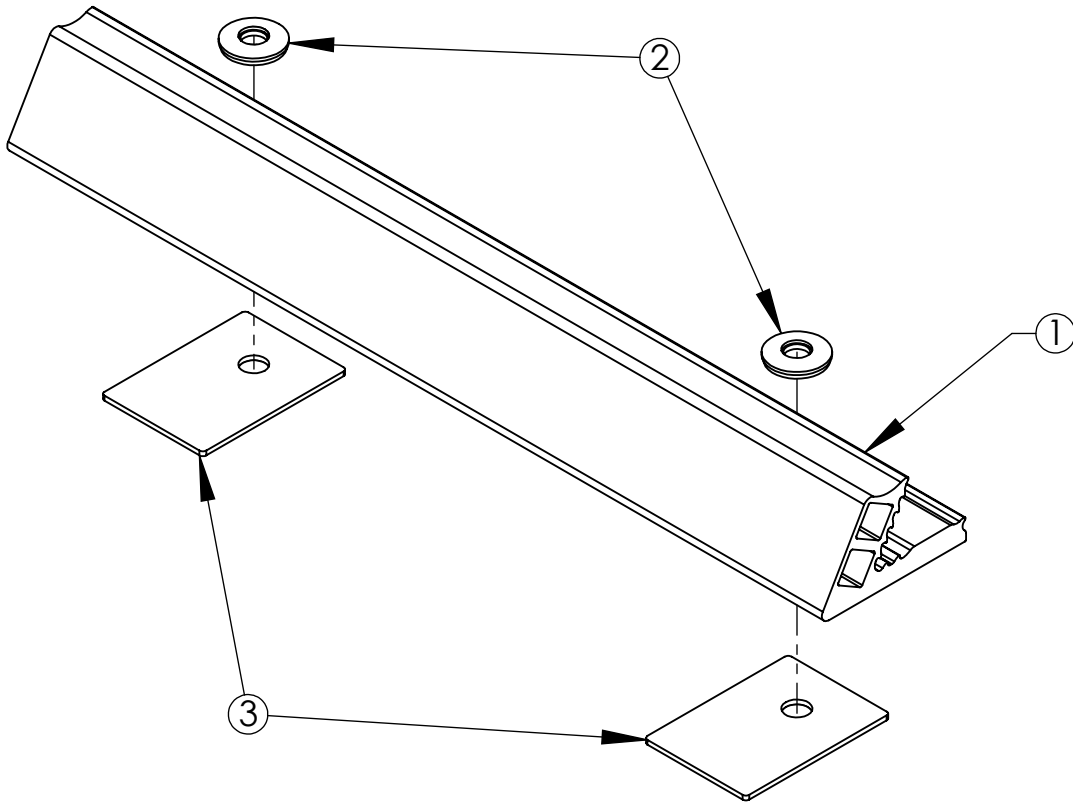
289 Harrel Street
Morrisville, VT 05661
Phone: 1.888.766.4273
Fax: 1.888.766.9994
Email: Info@alpinesnowguards.com

Scale: 1:3

3/27/2019

Alpine LedgeGuard Assembly Sheet - ALPINE LEDGE-12" System

1. Installation to be completed in accordance with manufacturer's written specifications and installation instructions.
2. See spec sheet or contact manufacturer for detailed material, finishes, and configuration options.
3. Contact manufacturer for detailed layout.
4. Do not scale drawings.
5. Subject to change without notice.
6. For patent information, view our [Patent Page](#).



ITEM NO.	PART CODE	DESCRIPTION	QTY
1	ALPINE LEDGE-12"	12" LEDGE BRACKET-AL	1
2	W-NEO SS-.313	SS NEO WASHER .313 ID(INCLUDED IN POLY KIT GF NEO)	2
3	ALP LEDGE-TAPE	1.5"X2.123" BUTYL TAPE W/HOLE	2



289 Harrel Street
Morrisville, VT 05661
Phone: 1.888.766.4273
Fax: 1.888.766.9994
Email: Info@alpinesnowguards.com

Scale: 1:2

3/27/2019



Alpine LedgeGuard

ALPINE LEDGE-12" Snow Guard System Specification Sheet

PART 1 – GENERAL

1.1 SUMMARY

A. WORK INCLUDES

1. ALPINE LEDGE-12" snow guard system that attaches directly to the roof deck.
2. Coordinate with the installation of the roof to assure proper placement of the snow guards.
3. Provide appropriate snow guard and fasteners for the roof system.

B. RELATED SECTIONS

- | | |
|--|----------------------------|
| 1. Section 076000: Flashing and Sheet Metal | MasterFormat 2018 07 60 00 |
| 2. Section 076200: Sheet Metal Flashing & Trim | MasterFormat 2018 07 62 00 |
| 3. Section 077113: Manufactured Copings | MasterFormat 2018 07 71 13 |
| 4. Section 077253: Snow Guards | MasterFormat 2018 07 72 53 |

1.2 SYSTEM DESCRIPTION

A. COMPONENTS:

Bracket: An aluminum bracket (12" length) that attaches to the roof deck.

1. ALPINE LEDGE-12"
2. W-NEO SS-.313
3. ALP LEDGE-TAPE

Fasteners

- a. To be of metal compatible with snow guards.
- b. Fasteners should be selected for compatibility with the roof deck.
- c. Fastener strength should exceed or be equal to that of the snow guard system.

B. DESIGN REQUIREMENTS:

1. Spacing to be recommended by manufacturer or building engineer.
2. Install 2 fasteners per 12 inch bracket.
3. It is important to design new structures or assess existing structures to make sure that they can withstand retained snow loads.





1.3 SUBMITTAL

- A. Submit manufacturer's specifications, standard detail drawings, installation instructions, and recommended layout.

1.4 QUALITY ASSURANCE

- A. Installer to be experienced in the installation of specified roofing material and snow guards for not less than 5 years in the area of the project.

1.5 DELIVERY / STORAGE / HANDLING

- A. Inspect material upon delivery and order replacements for any missing or defective items. Keep material dry, covered and off the ground until installed.

PART 2 – PRODUCTS

2.1 MANUFACTURER

- A. Alpine SnowGuards. A division of Vermont Slate & Copper Services Inc.
289 Harrel St. Morrisville, VT 05661, (888) 766-4273 www.alpinesnowguards.com.

2.2 MATERIALS

- A. ALPINE LEDGE-12" - 6000 Series Aluminum
- B. W-NEO SS-.313 - 304 Stainless Steel
- C. ALP LEDGE-TAPE - Adhesive Butyl Tape

2.3 FINISH (choose one):

- A. Mill Finish – standard
- B. Powder Coated – available at additional cost

PART 3 – EXECUTION

3.1 EXAMINATION

- A. Substrate
 - 1. Inspect structure on which snow guard system is to be installed and verify that it will withstand any additional loading that it may incur. Notify general contractor of any deficiencies before installing Alpine SnowGuards.
 - 2. Verify that roofing material has been installed correctly prior to installing snow guards.

3.2 INSTALLATION

- A. Comply with architectural drawings and snow guard manufacturer's recommendations for location of system. Comply with manufacturer's written installation instructions for installation and layout.

Document Version 03/27/2019
07 72 53 SnowGuards





Alpine LedgeGuard

ALPINE LEDGE-12" Snow Guard System Installation Instructions

Typical Roof Types:

- Ledge
- Cornice
- Parapet
- Sloped Wall
- Terrace
- Balcony

IMPORTANT: This system must be installed above a supporting structural component.

Pre-Installation:

- Use a dry brush or compressed air to ensure the roof surface is dry and clear of all debris.

Installation:

1. Remove the pre-installed release paper from the adhesive tape on the underside of the bracket.
2. Place the bracket on the prepared roof surface.
3. Insert a fastener through the bonded washer with the EPDM side facing down, through the bracket and the adhesive tape. Use a fastener of a material compatible with the snow guard and the roof system.
4. Torque until the bracket is snug against the roof surface. The visual indicator for proper torque is when the EPDM on the underside of the bonded washer begins to push out the sides as the washer compresses. Do not over-torque the fasteners.

NOTE: Torque values will be project-specific due to varying factors such as roof deck, age and type.

5. Caulk the perimeter of the bracket with a thin bead of an appropriate sealant.

Layout for Alpine Ledge Brackets:

Vertical spacing and the number of rows needed are determined by the installation method, the distance from eave to peak, the roof pitch and the ground snow load (PSF). If you have any questions, or need a project-specific layout, please contact Alpine SnowGuards at 888-766-4273.

Document Version: 3.27.2019
07 72 53 Snow Guards





289 Harrel Street
Morrisville, VT 05661
Toll Free Phone 1.888.766.4273
Toll Free Fax 1.888.766.9994
www.alpinesnowguards.com
info@alpinesnowguards.com

Snow Guard Maintenance

All snow guards should be checked as part of a yearly roof inspection by an experienced roofing and snow guard inspector. Any defects in materials and workmanship should be reported to the manufacturer immediately.

Refer to the categories below for additional inspection information. Alpine SnowGuards will not be responsible for any snow guard system that has not been properly maintained.

Pad Style SnowGuards – fastened using mechanical fasteners

- Inspect each unit to ensure snow guard assembly is intact.
- Inspect fasteners into the roof deck wherever possible.

Pad Style SnowGuards – adhesive mounted

- Inspect each unit to ensure snow guard assembly is intact.
- Inspect sealant around the perimeter. Remove and reapply any areas that are no longer watertight.
- Inspect units for slippage or peeling of the tape.
- Remove and reinstall these units.

Pipe Style – fastened to roof deck

- Inspect each unit to ensure snow guard assembly is intact.
- Inspect all fasteners in to the roof deck wherever possible. Inspect any snow guard related waterproofing and replace or repair where necessary to ensure roof integrity.
- If any tubing has bent or shows any other evidence of failure or damage, contact the manufacturer immediately.

Pipe Style – clamped to standing seam

- Inspect each unit to ensure snow guard assembly is intact.
- Inspect and check each set screw with a torque wrench to ensure proper fastening has been maintained.
- If any tubing has bent or shows any other evidence of failure or damage, contact the manufacturer immediately.

Snow Guard Maintenance