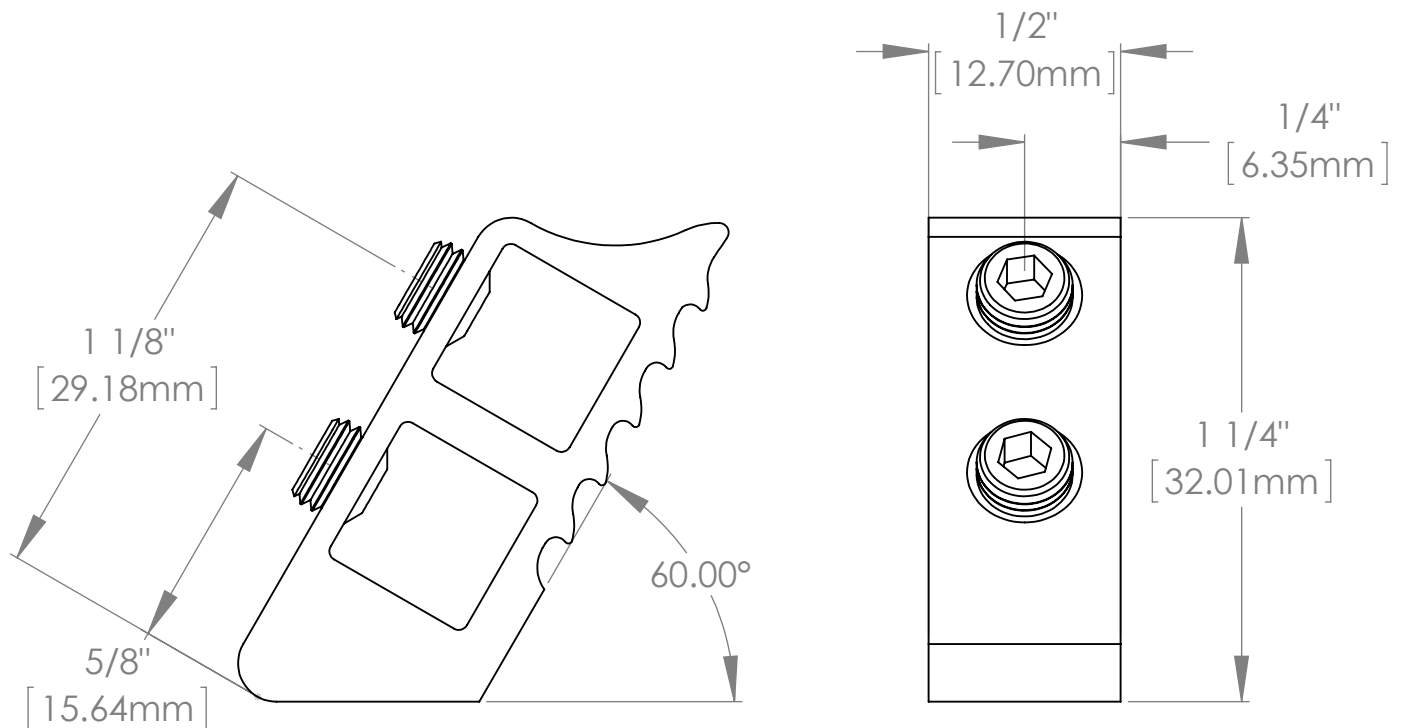
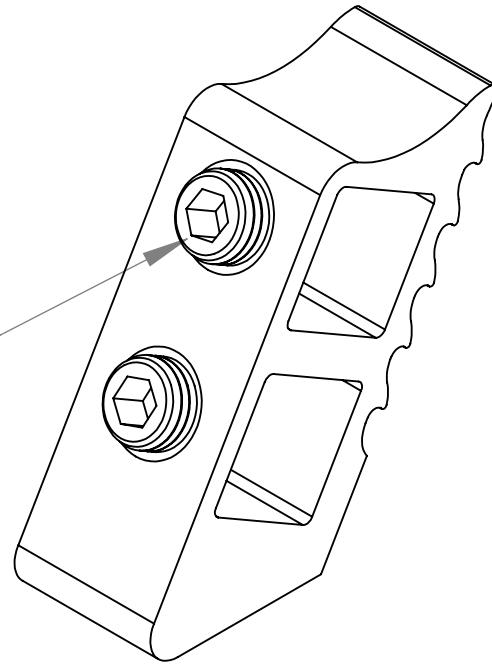


Alpine LedgeGuard Cut Sheet - ALP LEDGE-END COLLAR

1. Installation to be completed in accordance with manufacturer's written specifications and installation instructions.
2. See spec sheet or contact manufacturer for detailed material, finishes, and configuration options.
3. Contact manufacturer for detailed layout.
4. Do not scale drawings.
5. Subject to change without notice.
6. For patent information, visit our [Patent Page](#).

2 x ϕ 3/16" [5.41mm] THRU
 1/4-28 UNF THRU
 ✓ ϕ 5/16" [7.62mm] X 120°, Near Side
 SET-C SS-.25-28X.188



289 Harrel Street
 Morrisville, VT 05661
 Phone: 1.888.766.4273
 Fax: 1.888.766.9994
 Email: Info@alpinesnowguards.com

Scale: 2:1

2/26/2019