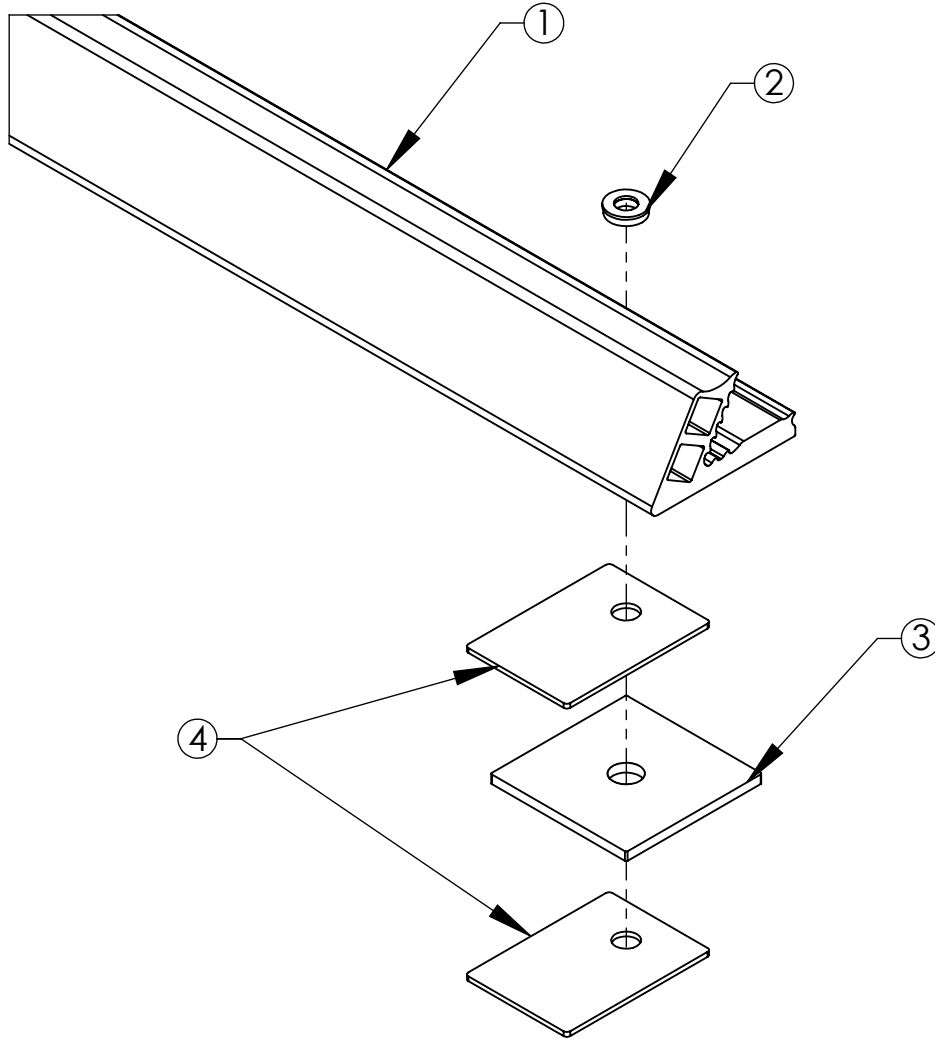


Assembly Sheet - ALPINE LEDGE-BAR SYS

1. Installation to be completed in accordance with manufacturer's written specifications and installation instructions.
2. See spec sheet or contact manufacturer for detailed material, finishes, and configuration options.
3. Contact manufacturer for detailed layout.
4. Do not scale drawings.
5. Subject to change without notice.
6. For patent information, view our [Patent Page](#).



ITEM NO.	PART CODE	DESCRIPTION	QTY
1	ALPINE LEDGE-BAR	12' LEDGE BAR-AL	1
2	W-NEO SS-.313	SS NEO WASHER .313 ID(INCLUDED IN POLY KIT GF NEO)	1 PER FASTENER
3	SQ-ADAPTER PLATE-AL	SQ 2X2 ADAPTER PLATE-AL WHW	1 PER FASTENER
4	ALP LEDGE-TAPE	1.5"X2.123" BUTYL TAPE W/HOLE	2 PER FASTENER



289 Harrel Street
 Morrisville, VT 05661
 Phone: 1.888.766.4273
 Fax: 1.888.766.9994
 Email: Info@alpinesnowguards.com

Scale: 1:2

8/7/2019