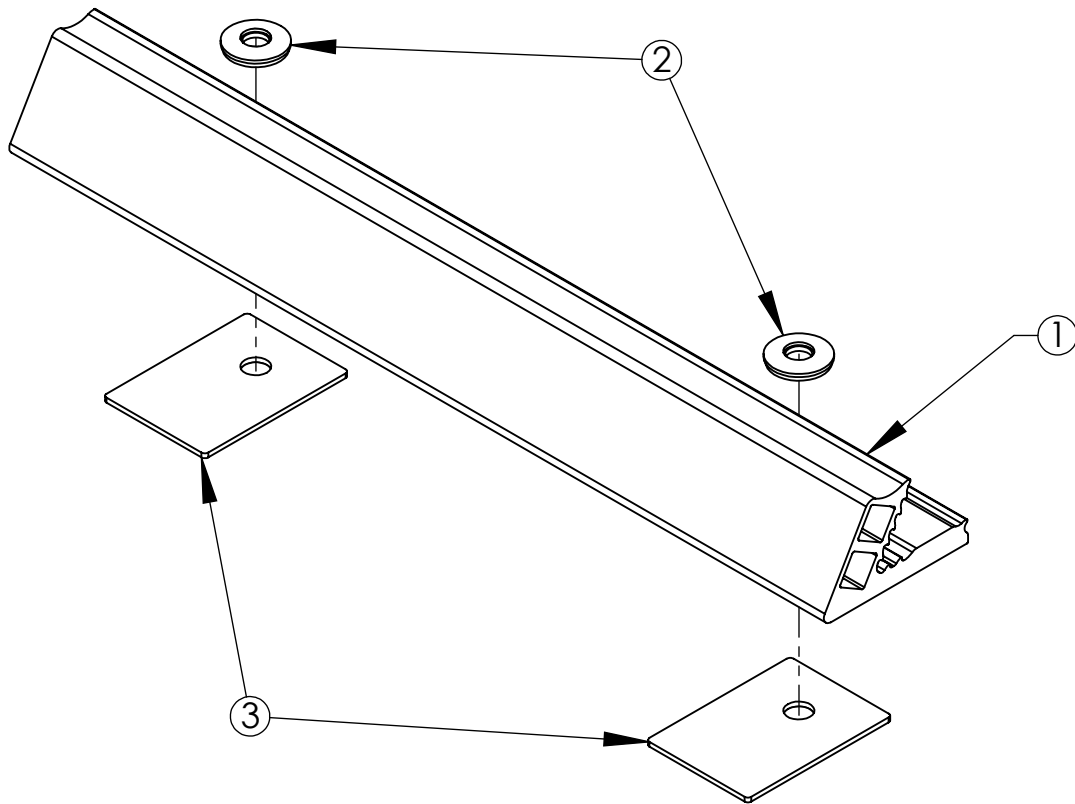


Alpine LedgeGuard Assembly Sheet - ALPINE LEDGE-12" System

1. Installation to be completed in accordance with manufacturer's written specifications and installation instructions.
2. See spec sheet or contact manufacturer for detailed material, finishes, and configuration options.
3. Contact manufacturer for detailed layout.
4. Do not scale drawings.
5. Subject to change without notice.
6. For patent information, view our [Patent Page](#).



ITEM NO.	PART CODE	DESCRIPTION	QTY
1	ALPINE LEDGE-12"	12" LEDGE BRACKET-AL	1
2	W-NEO SS-.313	SS NEO WASHER .313 ID(INCLUDED IN POLY KIT GF NEO)	2
3	ALP LEDGE-TAPE	1.5"X2.123" BUTYL TAPE W/HOLE	2



289 Harrel Street
Morrisville, VT 05661
Phone: 1.888.766.4273
Fax: 1.888.766.9994
Email: Info@alpinesnowguards.com

Scale: 1:2

3/27/2019