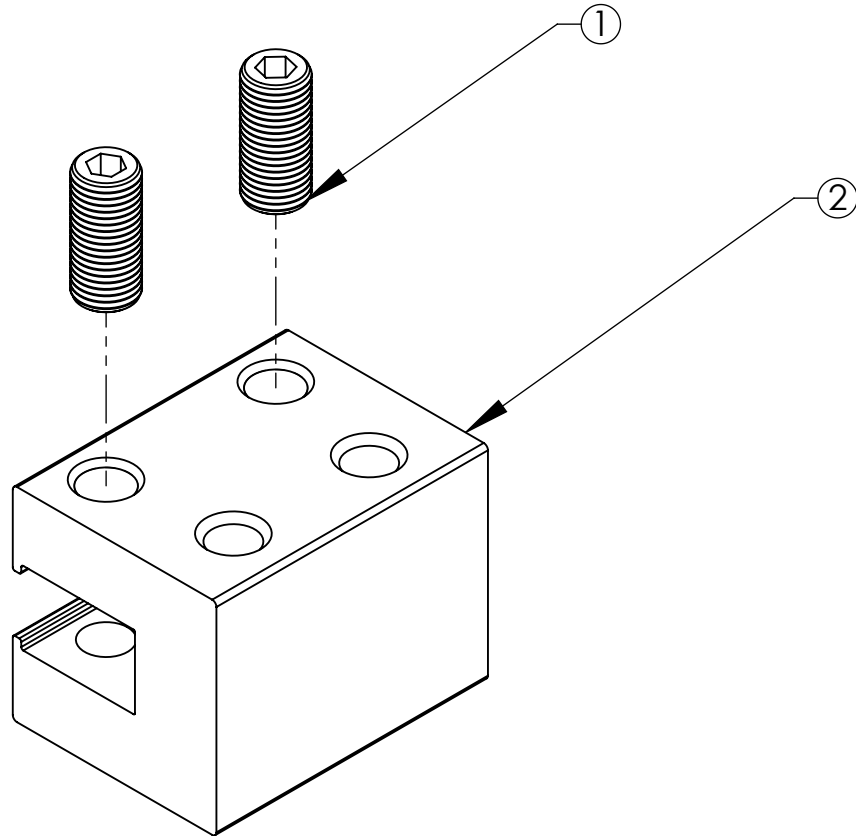


Assembly Sheet - ASGU2T-AL

1. Installation to be completed in accordance with manufacturer's written specifications and installation instructions.
2. See spec sheet or contact manufacturer for detailed material, finishes, and configuration options.
3. Contact manufacturer for detailed layout.
4. Do not scale drawings.
5. Subject to change without notice.



ITEM NO.	PART CODE	DESCRIPTION	QTY
1	POLY KIT SET SCREW	STAINLESS STEEL SET SCREW OP .375-24X1	2
2	ASGU2T-AL	2" UTILITY BLOCK SSR-AL	1



Toll Free Phone 1.888.766.4273
Toll Free Fax 1.888.766.9994



Toll Free Phone 1.877.859.3947
Toll Free Fax 1.888.766.9994

289 Harrel Street
Morrisville, VT 05661

Material: See Spec Sheet

Scale: 1:1 | 9/28/2016 | ASG: X | EFS: -