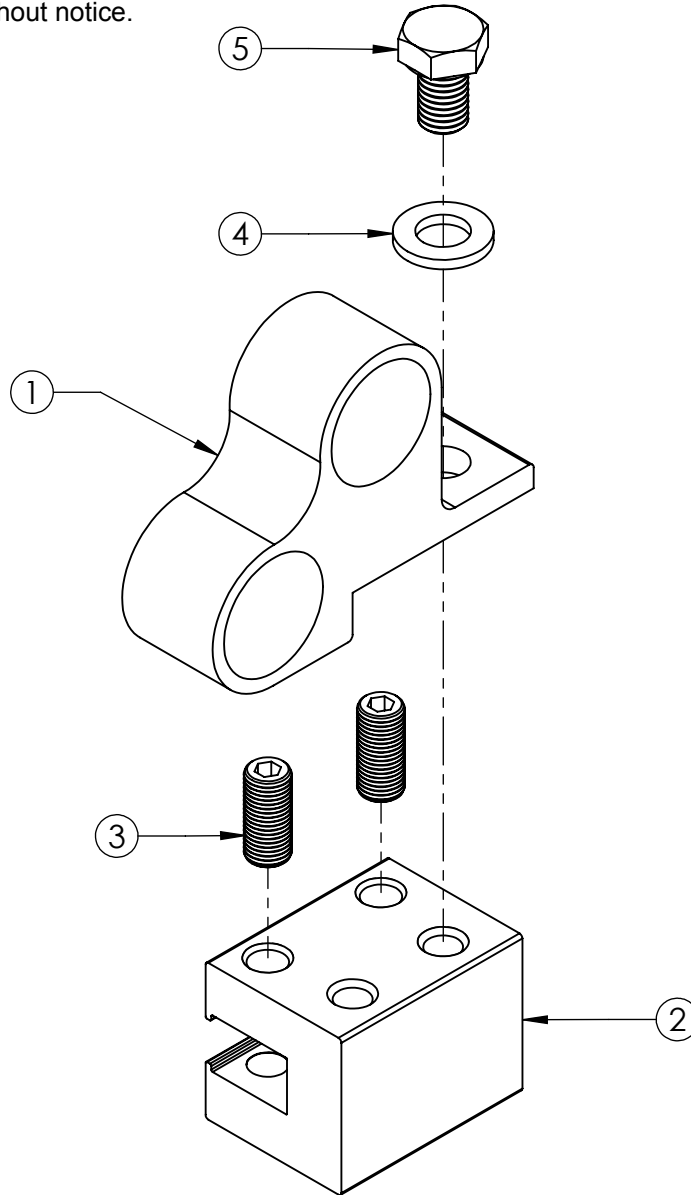


Assembly Sheet - ASG3000G-T

1. Installation to be completed in accordance with manufacturer's written specifications and installation instructions.
2. See spec sheet or contact manufacturer for detailed material, finishes, and configuration options.
3. Contact manufacturer for detailed layout.
4. Do not scale drawings.
5. Subject to change without notice.



ITEM NO.	PART CODE	DESCRIPTION	QTY
1	PP3000AL-BRKT	3000 2 PP Aluminum Bracket	1
2	ASGU2T-AL	2" Utility T Block SSR-Aluminum	1
3	SET-0 SS-.375-24X.75	Stainless Steel Set Screw 0p .3750-24x.75	2
4	POLYKIT ASGU2	M10 Stainless Steel Washer	1
5	POLYKIT ASGU2	M10 X 16 Hex Cap Screw	1



289 Harrel Street
Morrisville, VT 05661

Toll Free Phone 1.888.766.4273
Toll Free Fax 1.888.766.9994

Toll Free Phone 1.877.859.3947
Toll Free Fax 1.888.766.9994

Material: See Spec Sheet

Scale: 2:3 | 4/22/2015 | ASG: X | EFS: -