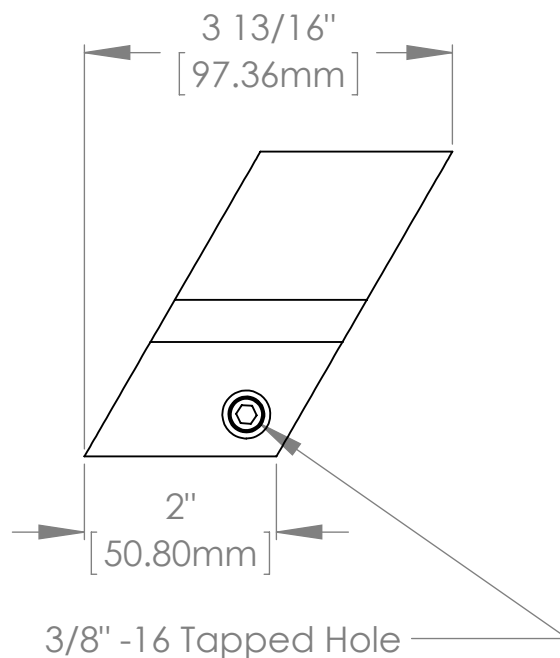
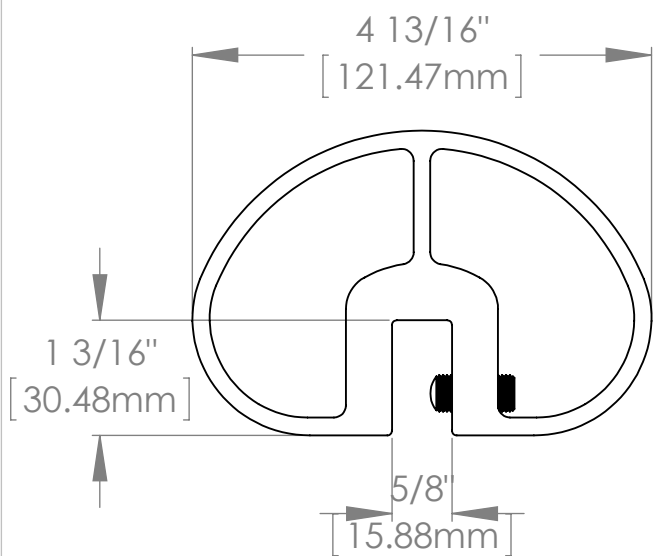
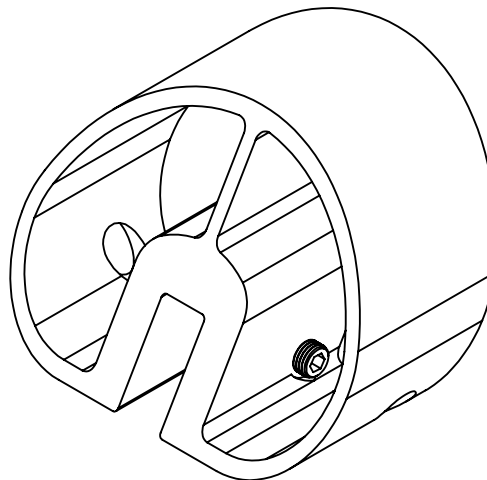
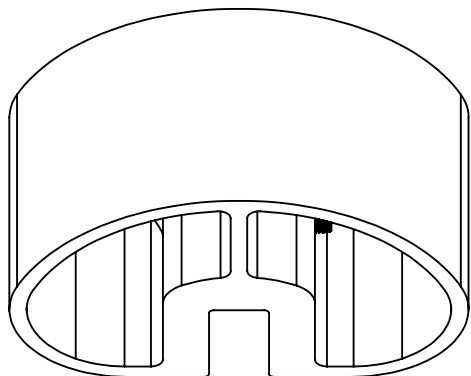


Cut Sheet - PD81-AL-V

1. Installation to be completed in accordance with manufacturer's written specifications and installation instructions.
2. See spec sheet or contact manufacturer for detailed material, finishes, and configuration options.
3. Contact manufacturer for detailed layout.
4. Do not scale drawings.
5. Subject to change without notice.



I have verified that this clamp/bracket will fit the seam for this project.

Quote #: _____

Signature: _____ Date: _____

To confirm order, return signed cut sheet and sales quote.



289 Harrel Street
Morrisville, VT 05661

Toll Free Phone 1.888.766.4273
Toll Free Fax 1.888.766.9994

Toll Free Phone 1.877.859.3947
Toll Free Fax 1.888.766.9994

Material: See Spec Sheet

Scale: 1:2 3/17/2015 ASG: X EFS: -