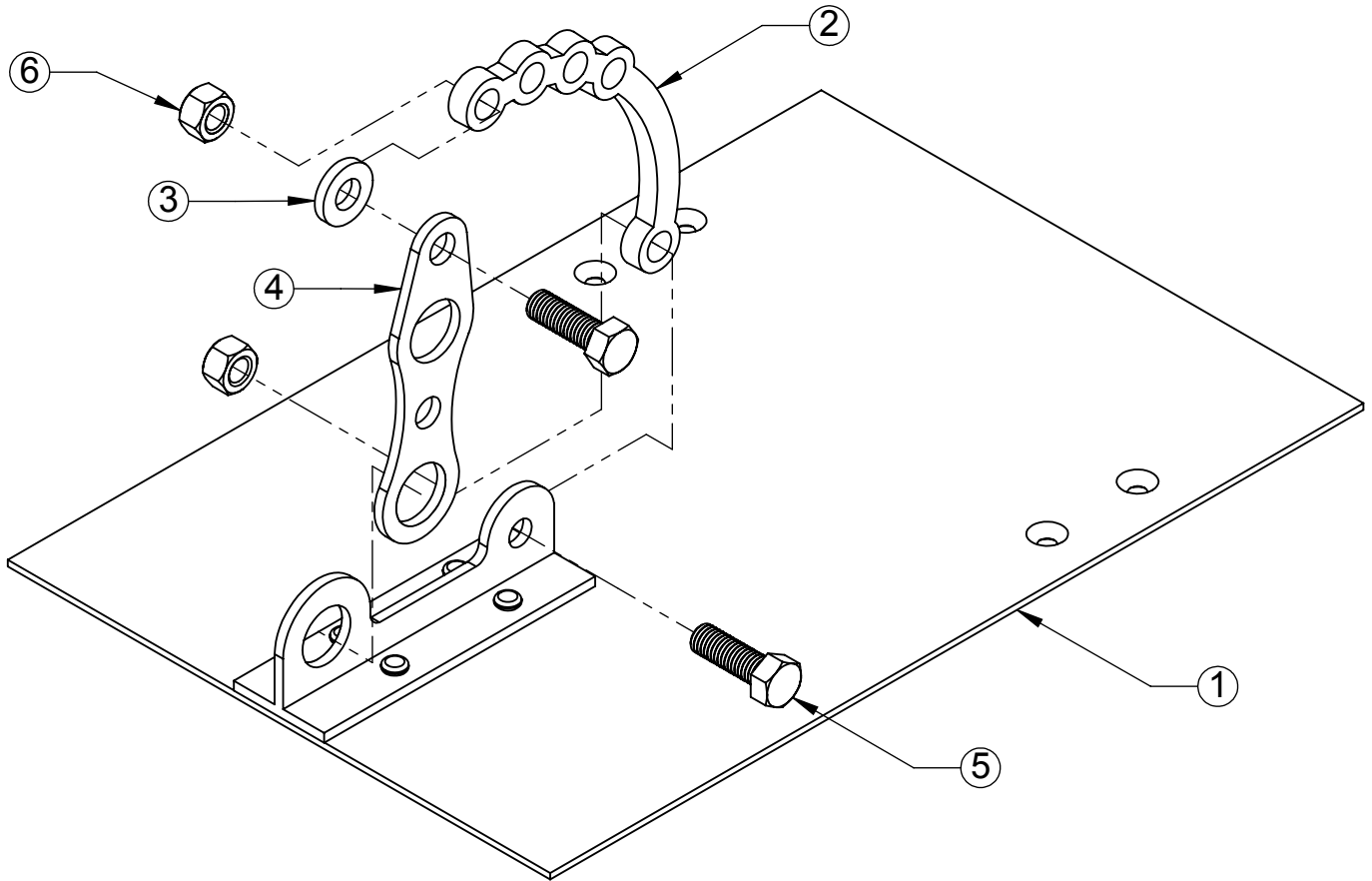


Assembly Sheet - PP502 Brass/Brass (8"x16" or Larger)

1. Installation to be completed in accordance with manufacturer's written specifications and installation instructions.
2. See spec sheet or contact manufacturer for detailed material, finishes, and configuration options.
3. Contact manufacturer for detailed layout.
4. Do not scale drawings.
5. Subject to change without notice.



ITEM NO.	PART CODE	DESCRIPTION	QTY
1	BASE BR-500	Base Brass 8x16-500 or Larger	1
2	PP225 CONNECT-BR	PP225 Connector Cast Brass	1
3	SPACER BR .1875 IN	Brass 3/16" Spacer	1
4	UPRT-PP502-H2-BR	Brass 502 Upright for Upkit	1
5	B-HX BR-.5-13	Brass Hex Bolt .5-13x1.75	2
6	N-HX BR-.5-13	Brass Hex Nut .5-13	2



289 Harrel Street
Morrisville, VT 05661

Toll Free Phone 1.888.766.4273
Toll Free Fax 1.888.766.9994

Toll Free Phone 1.877.859.3947
Toll Free Fax 1.888.766.9994

Material: See Spec Sheet

Scale: 1:3

4/23/2015

ASG: X EFS: -