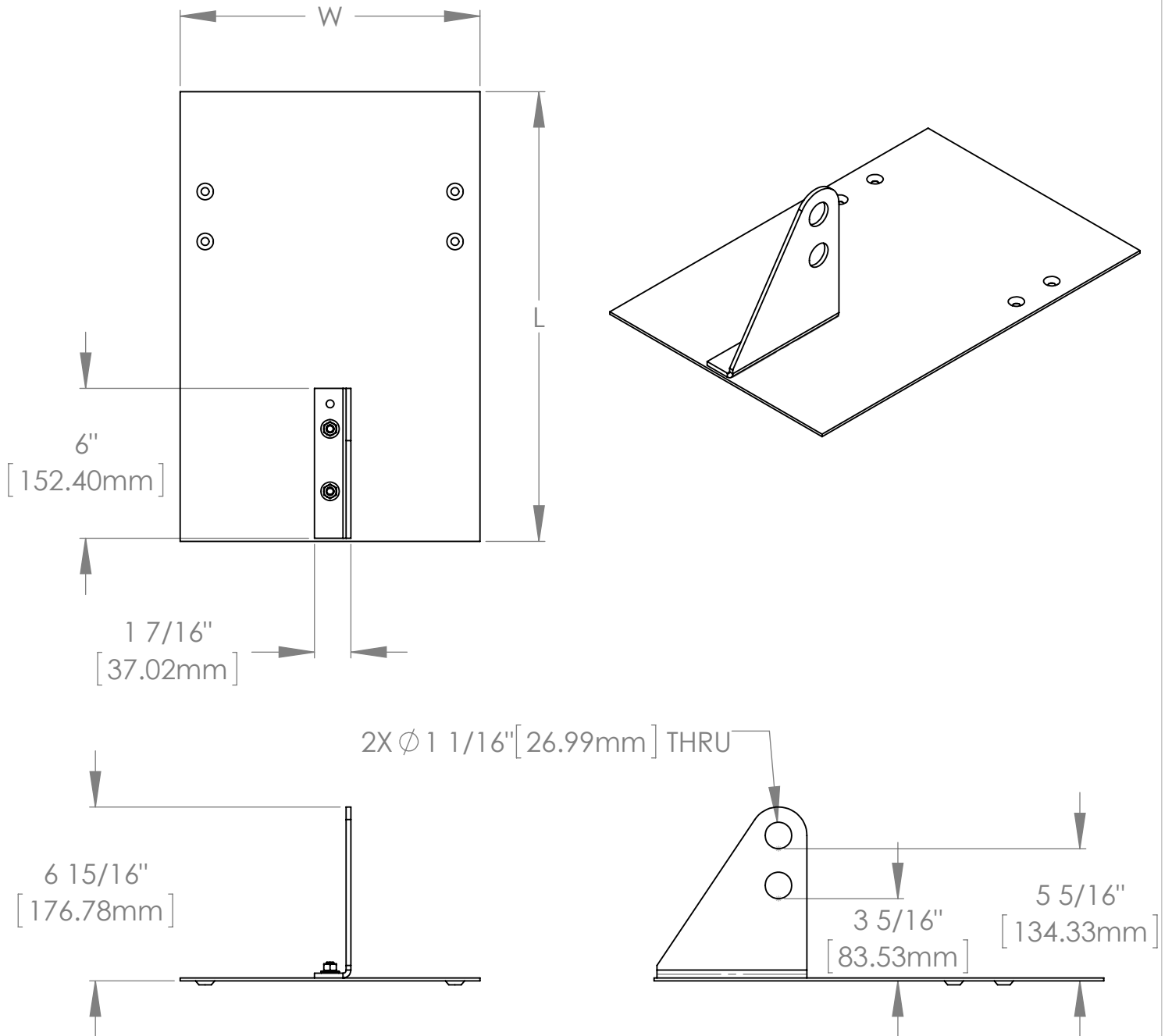


Cut Sheet - PP325 HI Pipe All Metals (8"x12" or Larger)

1. Installation to be completed in accordance with manufacturer's written specifications and installation instructions.
2. See spec sheet or contact manufacturer for detailed material, finishes, and configuration options.
3. Contact manufacturer for detailed layout.
4. Do not scale drawings.
5. Subject to change without notice.



NOTE: Specify L and W to match slate size



289 Harrel Street
Morrisville, VT 05661

Toll Free Phone 1.888.766.4273
Toll Free Fax 1.888.766.9994

Toll Free Phone 1.877.859.3947
Toll Free Fax 1.888.766.9994

Material: See Spec Sheet

Scale: 1:6 | 4/30/2015 | ASG: X | EFS: -