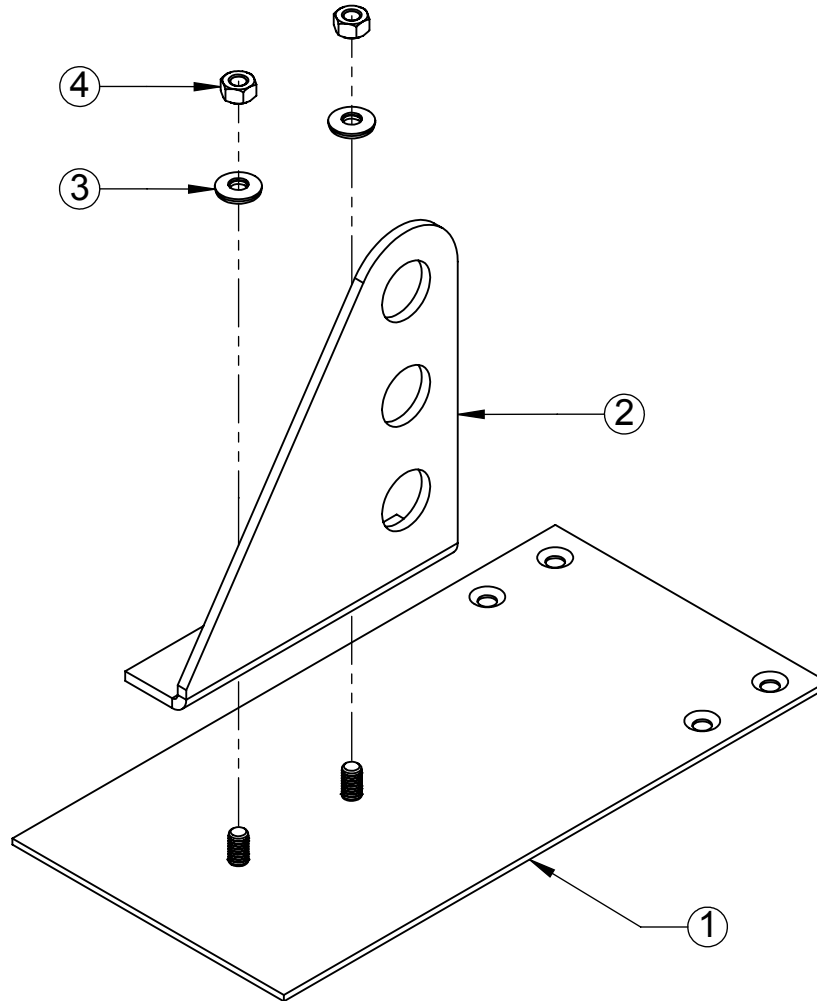


# Assembly Sheet - PP325 Brass (All Configurations 6"X12" or Larger)

1. Installation to be completed in accordance with manufacturer's written specifications and installation instructions.
2. See spec sheet or contact manufacturer for detailed material, finishes, and configuration options.
3. Contact manufacturer for detailed layout.
4. Do not scale drawings.
5. Subject to change without notice.



| ITEM NO. | PART CODE        | DESCRIPTION                               | QTY |
|----------|------------------|---|-----|
| 1        | Base-200         | Base Brass 6x12-200 or Larger             | 1   |
| 2        | PP314 Bracket-BR | 314 2,3 or HI PP Bracket-Brass            | 1   |
| 3        | W-neo SS-.313    | Stainless Steel Neoprene Washer .313ID    | 2   |
| 4        | n-Hx SS-.3125-18 | Nut Stainless Steel Hex Finished .3125-18 | 2   |



289 Harrel Street  
Morrisville, VT 05661

Toll Free Phone 1.888.766.4273  
Toll Free Fax 1.888.766.9994

Toll Free Phone 1.877.859.3947  
Toll Free Fax 1.888.766.9994

Material: See Spec Sheet

Scale: 1:3

4/20/2015

ASG: X

EFS: -