

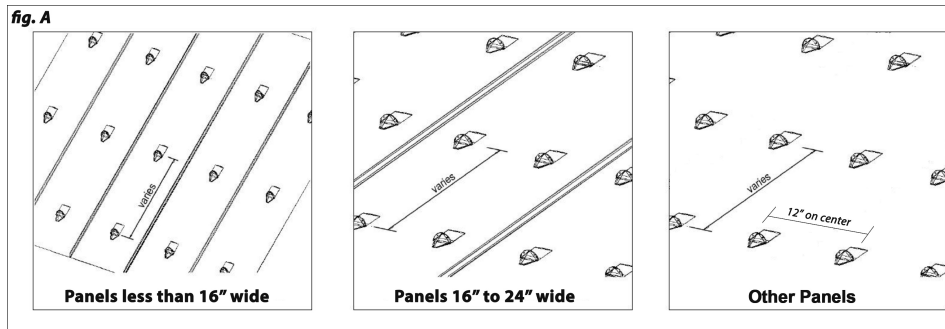
PD30 and PD300F Snow Guard Installation Instructions

Typical Roof Types:

- New/existing metal standing seam
- New/existing metal batten or snap
- New/existing copper standing seam/flat seam
- New/existing corrugated metal

Installation:

1. Determine snow guard location and quantity per panel (*fig. A*).



2. Select option below that best applies to your project/installation.

Mechanically Fastened

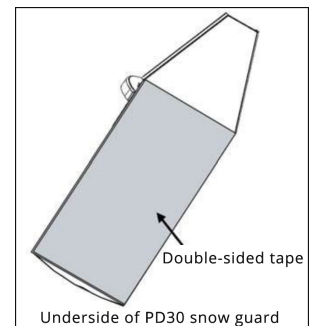
- A. Use an appropriate waterproofing sealant under the snow guard.
- B. Attach the snow guard using a minimum of 2 fasteners of a material compatible with the snow guard and the roof system.

Adhesive Tape*

Refer to adhesive manufacturer's published instructions for prep, installation and curing periods.

**Note: Alpine SnowGuards does not warrant the use of adhesives for installing snow guards.*

- A. Prepare the roof surface where the snow guard will be placed, as well as the back of the snow guard.
- B. Apply double-sided tape to the back of the snow guard. Alpine SnowGuards sells Normount Tape manufactured by Norton Performance Plastics.
- C. Apply to roof surface.
- D. Caulk the entire perimeter of the snow guard with a very thin bead of sealant.



Soldered

Recommended for copper, lead-coated copper and zinc roofing material.

- A. The underside of the snow guard should be tinned.
- B. Clean the area on the panel where the snow guard is to be installed.
- C. Flux and tin the area.
- D. Put the snow guard in place. Heat sufficiently to melt the solder on the snow guard and on the panel. Allow to cool. Whenever possible, this procedure can be done on the ground before installation of panels.

Snow Guard Layout Options for Metal Panel Roofs

Vertical spacing and the number of rows needed are determined by the installation method, the distance eave to peak, the roof pitch and the ground snow load (psf).

If you have any questions, or need a project-specific layout, please contact us at 888-766-4273.

Document Version 07.20.2018

07 72 53 Snow Guards

