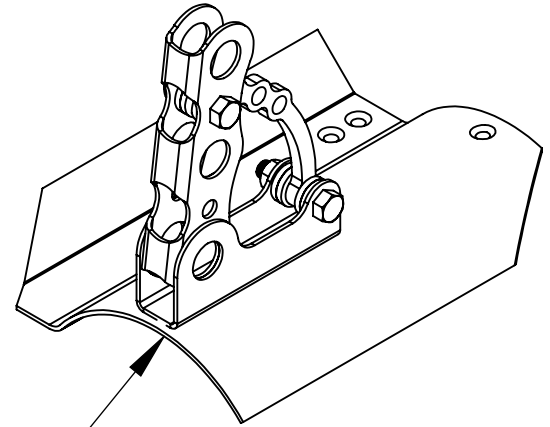
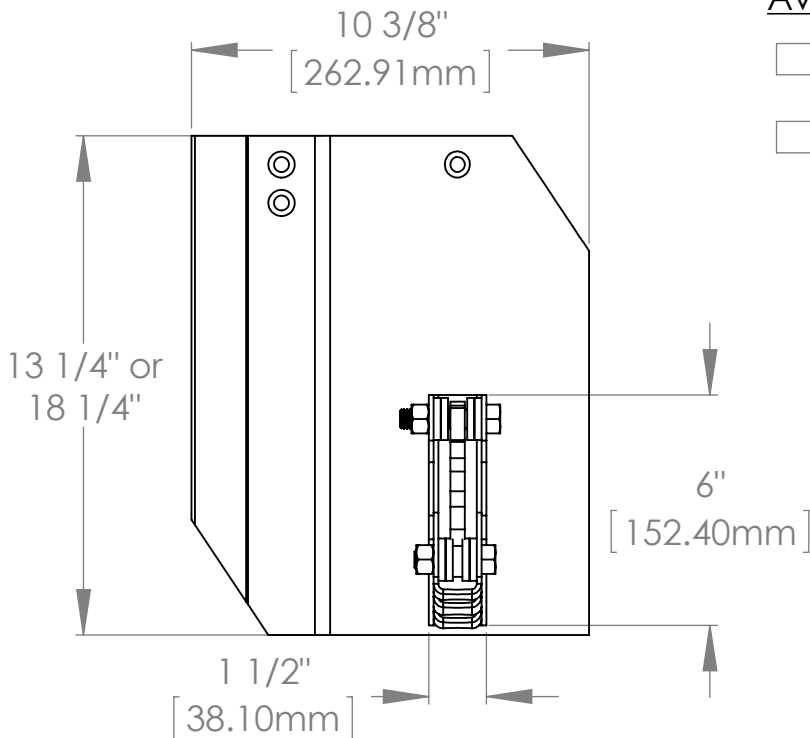


Cut Sheet - PP235LS Brass 13" or 18"

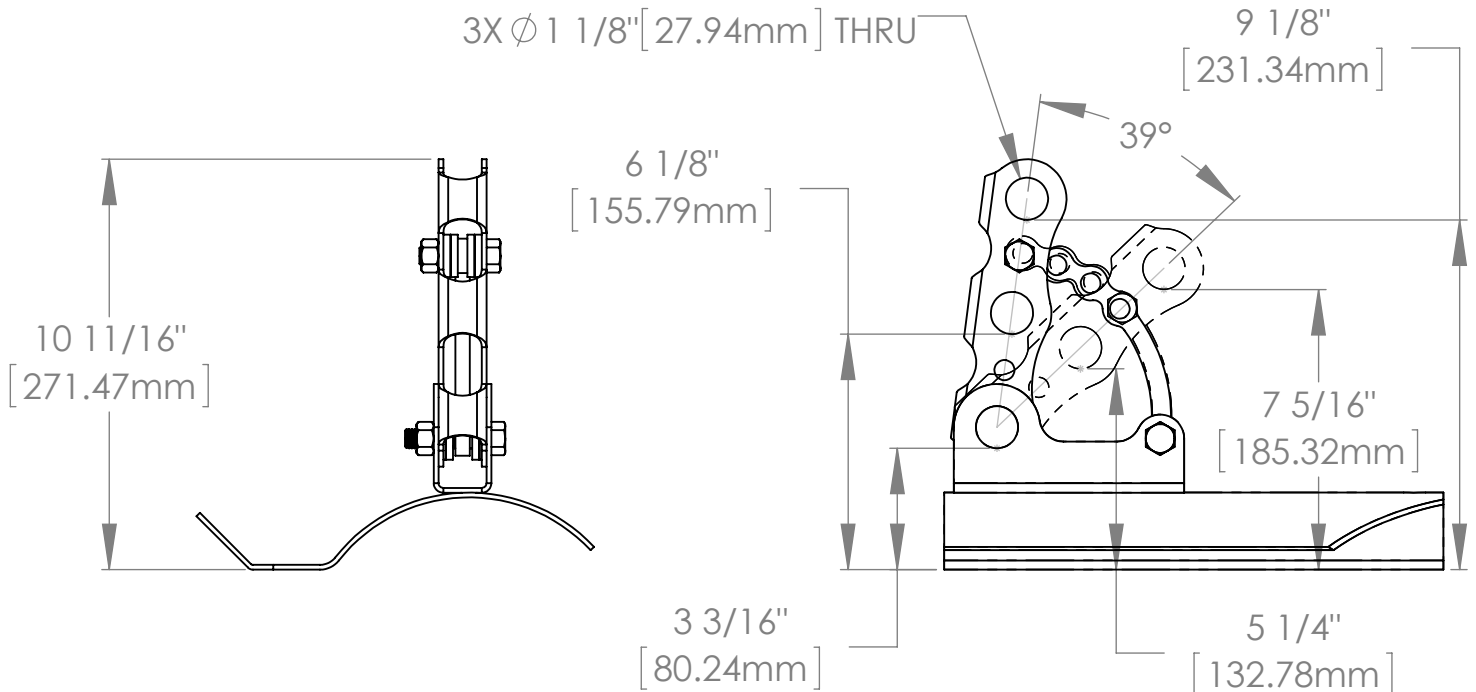
1. Installation to be completed in accordance with manufacturer's written specifications and installation instructions.
2. See spec sheet or contact manufacturer for detailed material, finishes, and configuration options.
3. Contact manufacturer for detailed layout.
4. Do not scale drawings.
5. Subject to change without notice.

Available Finishes

- Mill Finish
- RAL Tiger Drylac Powder Coating
- Color Code: _____



Made to match Ludowici Spanish Tile



289 Harrel Street
Morrisville, VT 05661

Toll Free Phone 1.888.766.4273
Toll Free Fax 1.888.766.9994

Toll Free Phone 1.877.859.3947
Toll Free Fax 1.888.766.9994

Material: See Spec Sheet

Scale: 1:5 | 10/5/2015 | ASG: X | EFS: -