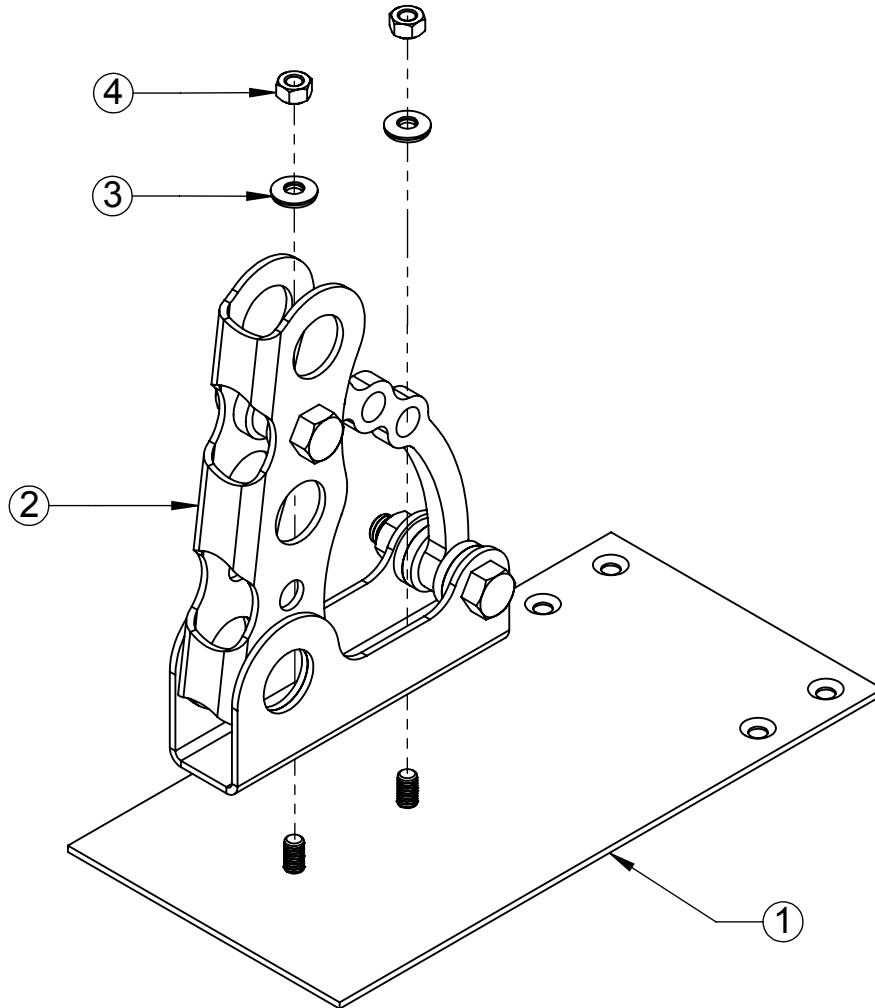


Assembly Sheet - PP225 Brass/Stainless (6"x12" or Larger)

1. Installation to be completed in accordance with manufacturer's written specifications and installation instructions.
2. See spec sheet or contact manufacturer for detailed material, finishes, and configuration options.
3. Contact manufacturer for detailed layout.
4. Do not scale drawings.
5. Subject to change without notice.



ITEM NO.	PART CODE	DESCRIPTION	QTY
1	Base-200	Base Stainless Steel 6x12 or Larger	1
2	PP225-BR-UPKIT	225 3PP Bracket Only Brass	1
3	N-HX SS-.3125-18	Nut Stainless Steel Hex Finished .3125-18	2
4	W-NEO SS-.313	Stainless Steel Neoprene Washer .313ID	2



289 Harrel Street
Morrisville, VT 05661

Toll Free Phone 1.888.766.4273
Toll Free Fax 1.888.766.9994

Toll Free Phone 1.877.859.3947
Toll Free Fax 1.888.766.9994

Material: See Spec Sheet

Scale: 1:3

4/17/2015

ASG: X

EFS: -