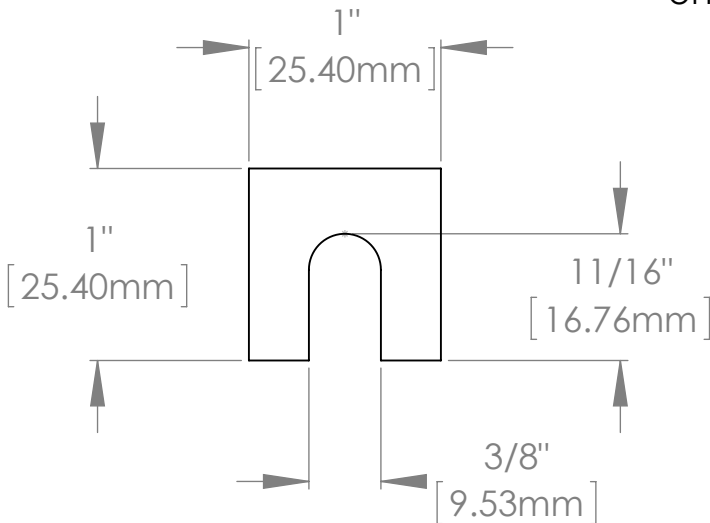
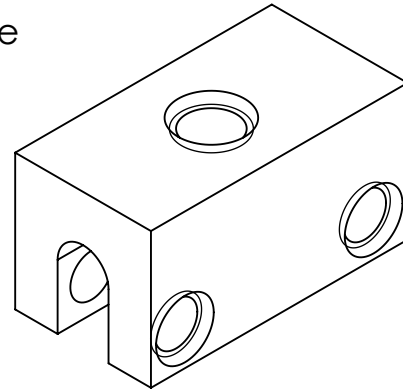
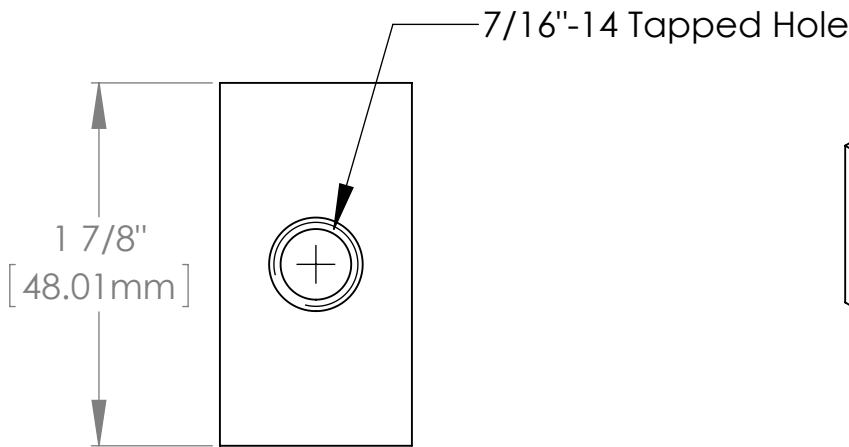
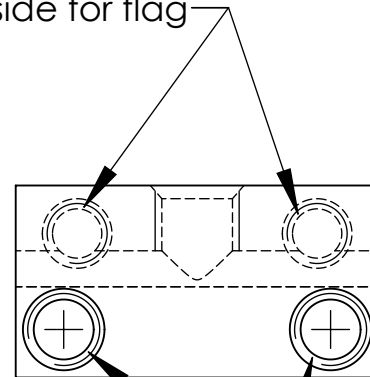


# Cut Sheet - ASG2000B BLOCK

1. Installation to be completed in accordance with manufacturer's written specifications and installation instructions.
2. See spec sheet or contact manufacturer for detailed material, finishes, and configuration options.
3. Contact manufacturer for detailed layout.
4. Do not scale drawings.
5. Subject to change without notice.



5/16" - 18 Tapped holes  
on opposite side for flag



3/8"-16 Tapped  
Set Screw Holes

I have verified that this clamp/bracket will fit the seam for this project.

Quote #: \_\_\_\_\_

Signature: \_\_\_\_\_ Date: \_\_\_\_\_

To confirm order, return signed cut sheet and sales quote.



289 Harrel Street  
Morrisville, VT 05661  
Phone: 1.888.766.4273  
Fax: 1.888.766.9994

Scale: 1:1

11/30/2017