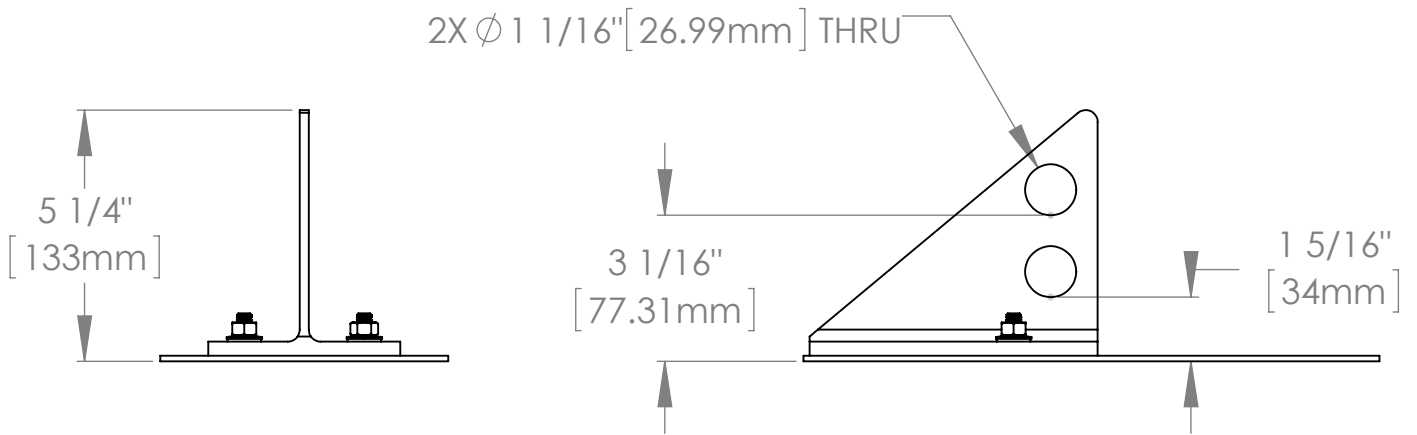
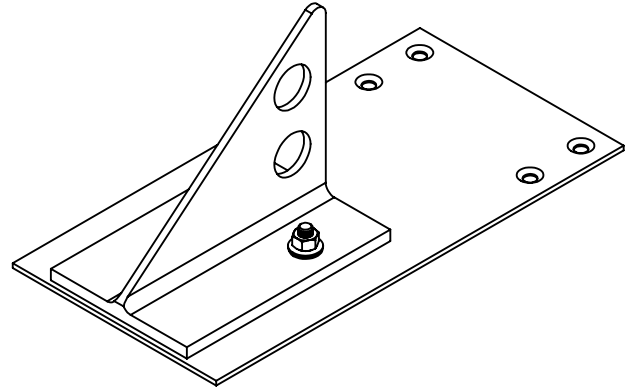
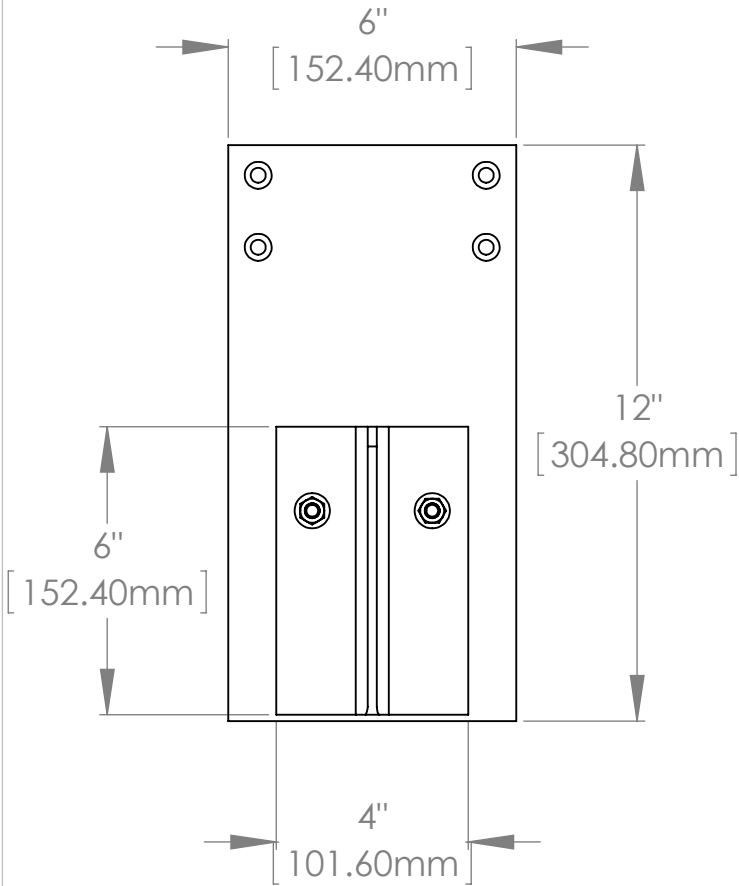


# Cut Sheet - PP125 Two Pipe (6"x12")

1. Installation to be completed in accordance with manufacturer's written specifications and installation instructions.
2. See spec sheet or contact manufacturer for detailed material, finishes, and configuration options.
3. Contact manufacturer for detailed layout.
4. Do not scale drawings.
5. Subject to change without notice.



289 Harrel Street  
Morrisville, VT 05661

Toll Free Phone 1.888.766.4273  
Toll Free Fax 1.888.766.9994

Toll Free Phone 1.877.859.3947  
Toll Free Fax 1.888.766.9994

Material: See Spec Sheet

Scale: 1:4

4/27/2015

ASG: X

EFS: -