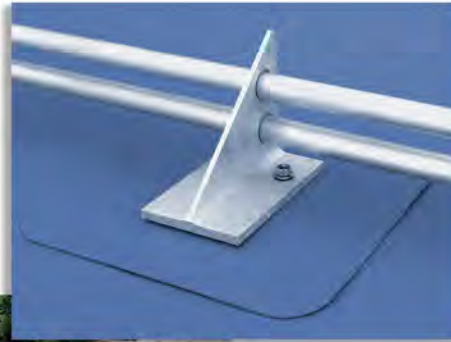
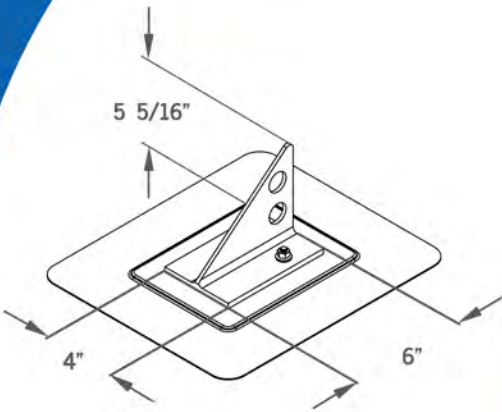




# PP115 Pipe Style Snow Guard

# ALPINE SNOWGUARDS®

Info@alpinesnowguards.com 888-766-4273



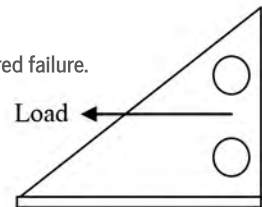
## Features

- ❖ Designed to install directly to structural decking
- ❖ Made in the USA using recycled materials
- ❖ Base Plate can be flashed with compatible target patch flashing
- ❖ Available in 3 configurations: 2-pipe (shown), 3-pipe, & 2 hi-pipe
- ❖ All configurations accept 1" OD pipe
- ❖ Compression seal creates a water tight barrier
- ❖ All of our snow guards are tested extensively in the field by roofing experts
- ❖ Maximum bracket spacing of 48" on center

## Test Data

Substrate: 1.5" Spruce Fastener: 3" Olympic XHD

Failure: Any of the following occurrences shall be considered failure.  
A. Fastener failure (fracture or withdrawal)  
B. Structural failure of snow guard



Test #	Ultimate Load (lbs)	Mode of Failure	Description
1	Exceeds 5000	A	Two screws closest to the studs pull out first
2	Exceeds 5000	A	Two screws closest to the studs pull out first
3	Exceeds 5000	A	Two screws closest to the studs pull out first
Mean	Exceeds 5000		

## Roof Types & Materials

### Available Materials:

- ❖ Extruded Aluminum Bracket
- ❖ Stainless Steel Base Plate

### Available finishes:

- ❖ Mill finish (standard)
- ❖ Powder Coating using RAL TIGER Drylac Exterior colors (for additional cost)

### Roof Types:

- ❖ Membrane
- ❖ Existing Metal Shingle
- ❖ New Metal Shingle

Ask us about LEED compliance



Useful Links > [Product Page](#) [Cutsheet](#) [Specifications](#) [Install Instructions](#)