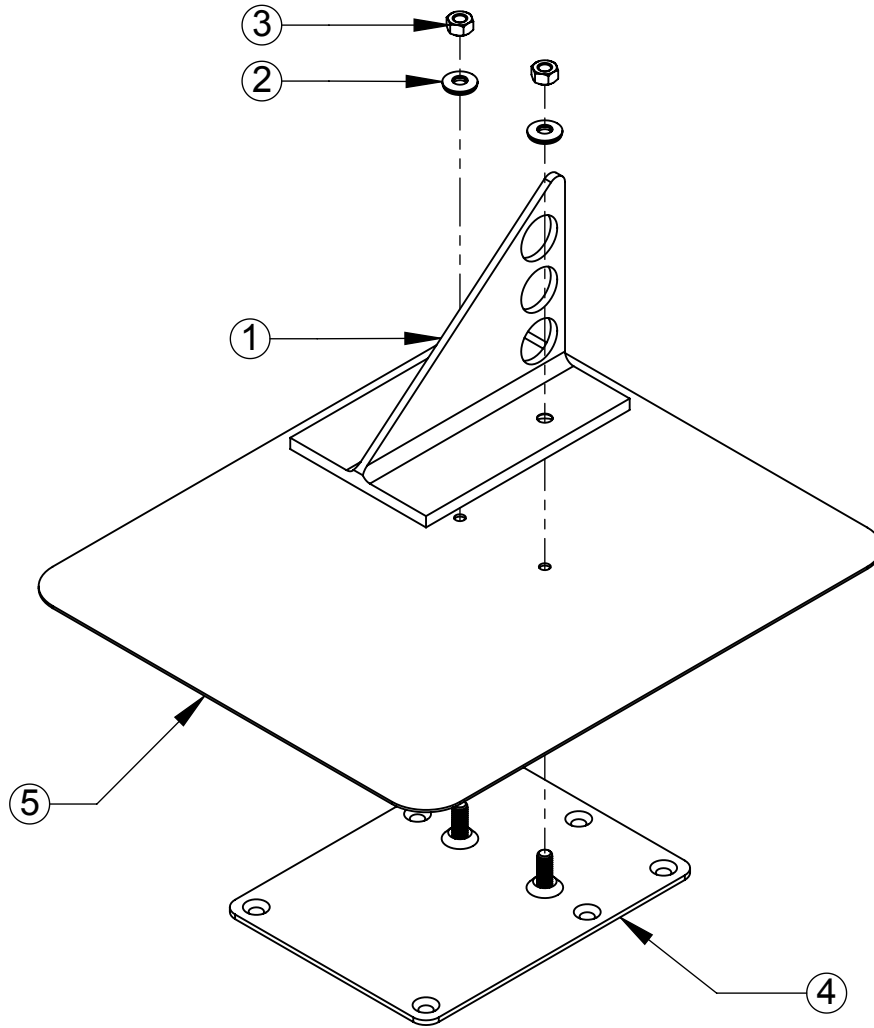


Assembly Sheet - PP115 (ALL CONFIGURATIONS)

1. Installation to be completed in accordance with manufacturer's written specifications and installation instructions.
2. See spec sheet or contact manufacturer for detailed material, finishes, and configuration options.
3. Contact manufacturer for detailed layout.
4. Do not scale drawings.
5. Subject to change without notice.



ITEM NO.	Part Code	DESCRIPTION	QTY
1	KIT-145 BRACKET (3-PIPE SHOWN)	KIT-145 BRACKET (2-PIPE, 3-PIPE, OR HI HOLE OPTIONS)	1
2	W-NEO SS-.313	SS NEO WASHER .313 ID (INCLUDED IN POLYKIT 145)	2
3	N-HX SS-.3125-18	NUT SS HEX FINISHED .3125-18 (INCLUDED IN POLYKIT 145)	2
4	BASE SS 6X8-100	SS 6X8-100 BASE PLATE	1
5	TARGET PATCH FLASHING	TARGET PATCH FLASHING (CUSTOMER SUPPLIED)	As Needed



289 Harrel Street
 Morrisville, VT 05661
 Phone: 1.888.766.4273
 Fax: 1.888.766.9994
 Email: Info@alpinesnowguards.com

Scale: 1:4

3/15/2018