

General Installation Instructions for 1" Pipe-Style Snow Guard Accessories

All of our 1" pipe-style snow guard accessories fit all of our 1" pipe snow guards for through-fastened or clamp-to-seam applications. Ice Flags and Ice Screen must be installed on a system with at least two pipes. Accessories are available in aluminum, brass and stainless steel. Aluminum and stainless steel accessories can be powder coated. Internal couplings are not powder coated. Ice Screen is available in stainless steel and brass.

End Collars (PP65)

The purpose of End Collars is to keep the pipes from sliding through the snow guard brackets. Pipe cannot extend past last bracket more than 6"-8".

An End Collar is required for each end of each pipe on each run of snow guards. A run should not exceed 100' to allow for thermal expansion. See installation details below for required End Collar placement.

1. If using on a system with **External Couplings (PP84)**: End Collars should be placed over the end of each run of pipe, on the inside of the outermost brackets (Fig. 1). As the last pipe in the run is installed, the End Collar should be installed. The End Collars should be installed 1/2" from the brackets.

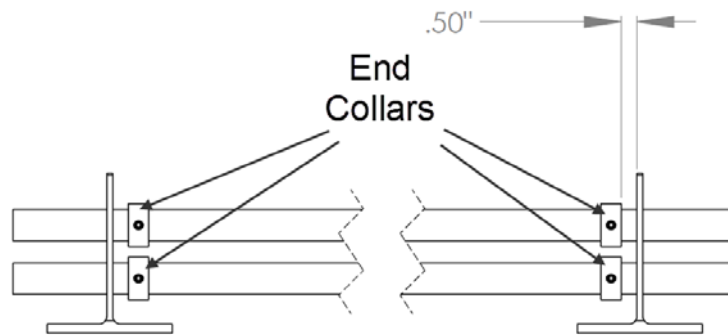


Fig. 1

Note: on some three-pipe or hi-hole systems using the External Coupling, it may be necessary to place one End Collar further inside than the other End Collars (Fig. 2).

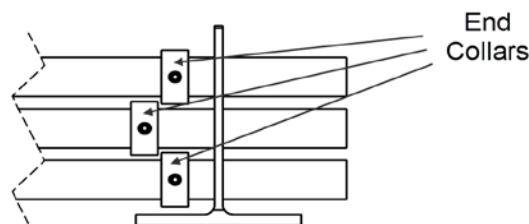


Fig. 2



2. If using on a system with **Internal Coupling (PP86)**: End Collars should be placed over each end of each run of pipe (Fig. 3). Place the End Collar over the pipe and tighten the set screw until it no longer slides. The End Collar should be within 1" of the snow guard bracket, spacing is 1/8" for every 10' of pipe. For example, if the run of snow guards is 80' then the End Collar should be 1" outside the bracket.

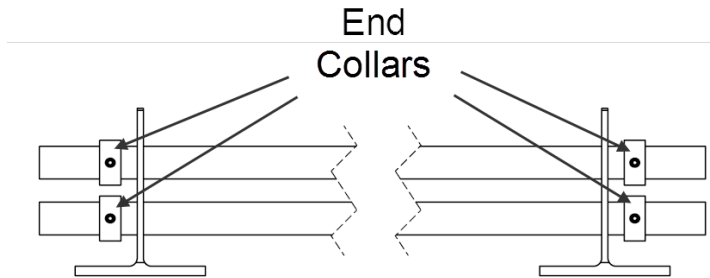


Fig. 3

Note: on some three-pipe or hi-hole systems using the Internal Coupling, it may be necessary to place one End Collar inside the bracket and the others outside (Fig. 4)

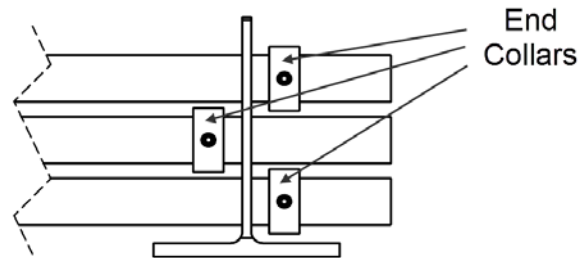


Fig. 4

End Caps (PP56)

End Caps keep moisture and insects from getting inside of the pipes.

1. Install the End Cap by pressing it into the end of the pipe (Fig. 5).

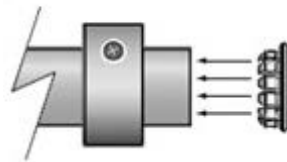


Fig. 5



External Coupling (PP84)

The External Couplings are used to join pipes together.

1. Install pipe and slide external coupling over the end until the pipe end contacts the dimple.
2. Install the next pipe, sliding it in until it contacts the dimple (Fig. 6).

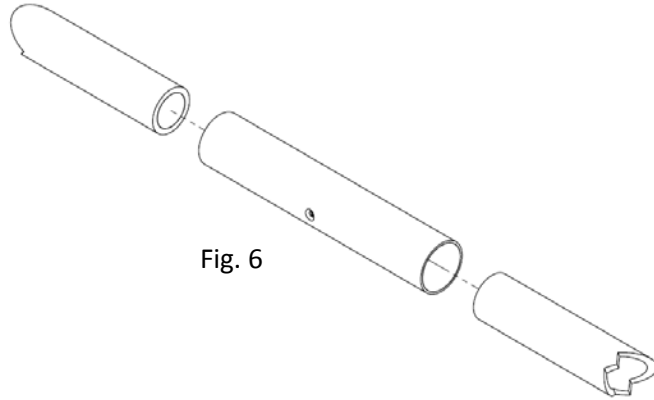


Fig. 6



Fig. 7



Fig. 8

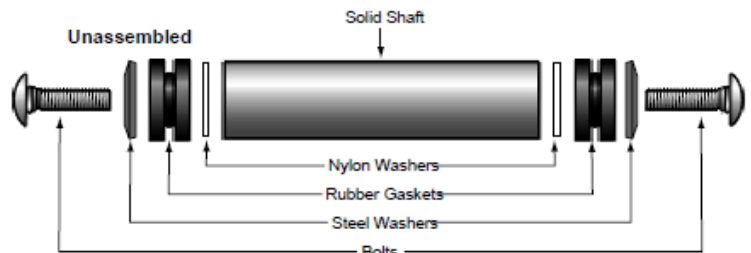


Fig. 9

Assembled



Fig. 10



Internal Coupling (PP86)

The Internal Couplings are used to join pipes together.

1. Insert assembled coupling into the end of one pipe so that half of the solid aluminum shaft is inserted (Fig. 7).
2. Begin twisting the exposed half of the coupling in a clockwise motion until the rubber gasket engages the pipe. Continue to tighten until the coupling cannot be easily pulled out of the pipe (Fig. 8).
3. Slide the next section of pipe over the exposed half of the coupling. Twist the tube in a clockwise motion until the rubber gasket engages the pipe. Continue tightening until the tubing cannot be easily pulled apart (Fig. 9).
4. If the system needs to be unassembled, simply turn the pipe counter-clockwise until the pipes can be pulled apart.

Internal Couplings come assembled and ready for installation. If they come apart or loosened during shipment assemble per Fig. 10, above. **Do Not Over-Tighten** prior to inserting the coupling into the pipe. Over tightening the bolt will cause the gasket to expand and make installation of the coupling difficult.





Ice Flags (PP95)

Ice Flags hang from the pipe between the brackets to help keep ice and snow from sliding underneath. **Note: Ice Flags should not touch the roof surface.**

1. The Ice Flags should be placed over the top or middle pipe on two-pipe or three-pipe systems.

For fixed three-pipe brackets (PP115, PP117, PP145, PP314, PP315, PP325) the Ice Flag should be installed on the top pipe. For adjustable three-pipe brackets (PP215, PP225, PP235, PP503), the Ice Flag should be installed on the middle pipe. For all two-pipe snow guards the Ice Flag is installed on the top pipe. The long leg rests against the uphill side of the pipes.

Use the bolt and nut to hold the flag in position. Silicone or adhesive (Fig. 11) should be applied between the ice flags and the pipes to keep the flag from sliding. See Fig. 13 on the following page for placement.

- a. The Ice Flag for the model ASG3000 sits between the pipes (Fig. 12).

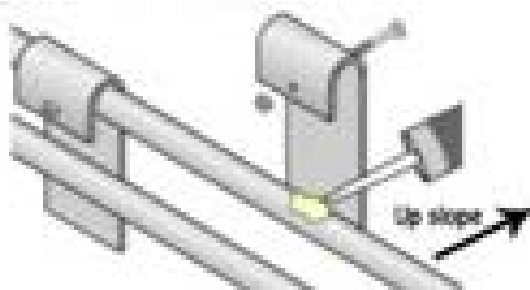


Fig. 11: Silicone or Adhesive

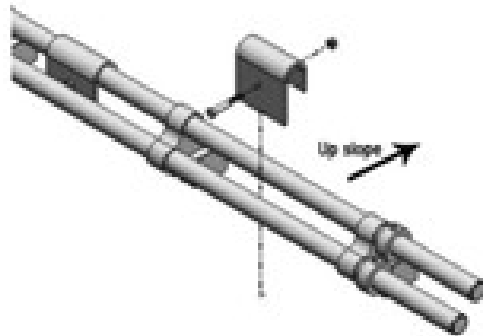


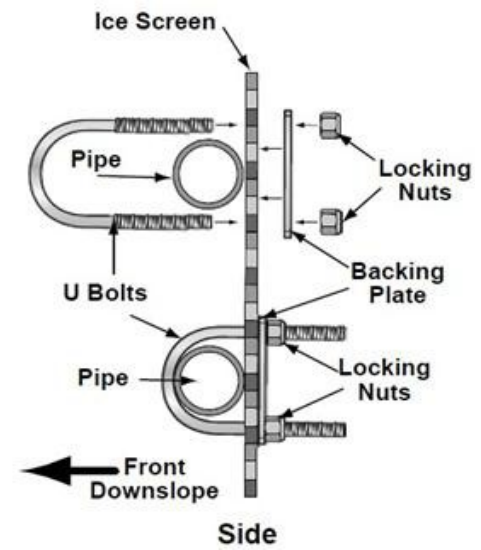
Fig. 12: ASG3000



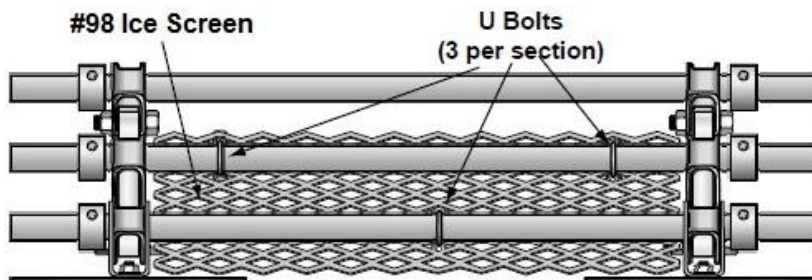
Ice Screen (PP98)

Ice Screen comes in 4' lengths, 5" high; for most installations it will need to be cut to size to fit between the snow guard brackets.

1. Place the Ice Screen behind (upslope) the installed pipes.
2. Place a U-bolt on the pipe and fit it through the openings in the Ice Screen.
3. Place the backing plate behind the Ice Screen and insert the ends of the U-bolt through the openings.
4. Tighten the supplied locking nuts.



Each length of Ice Screen includes 4 U-bolts, 4 backing plates and 8 locking nuts. Ice screen should be attached behind the bottom two pipes in a three-pipe installation (as shown below) or on both pipes of a two-pipe installation. Note: 2 U-bolts are to be used for sections 24" or less. 3 U-bolts are to be used for sections greater than 24".



Typical Installation

The illustration below shows the PP225 with End Caps, End Collars, Internal Couplings & Ice Flags installed. For fixed three-pipe brackets (PP115, PP117, PP145, PP314, PP315, PP325) the Ice Flag should be installed on the top pipe. For adjustable three-pipe brackets (PP215, PP225, PP235, PP503), the Ice Flag should be installed on the middle pipe. For all two-pipe snow guards the Ice Flag is installed on the top pipe.

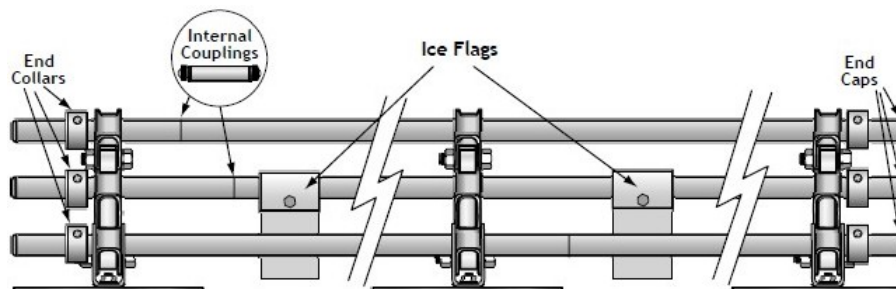


Fig. 13

Document version 3.12.2019

