



289 Harrel Street • Morrisville, VT 05661
 Toll Free Phone: 888-766-4273 • Toll Free Fax: 888-766-9994
 www.alpinesnowguards.com • info@alpinesnowguards.com

Date: _____ Quote # _____

Recommended Layout Request Form

Contact Information:

Name: _____
 Company: _____
 Address: City: _____
 State Zip: _____
 Phone: _____
 Fax: _____
 Email: _____

Qty	Item	Initials: _____

Project Information:

1. Proj. Name: _____ 2. Proj. Location (city, cnty, state): _____
 3. Project Building Design Load: _____ psf **Required** (available from building plan, town building inspector, etc.)

Roof Conditions - Critical Conditions To Plan For:

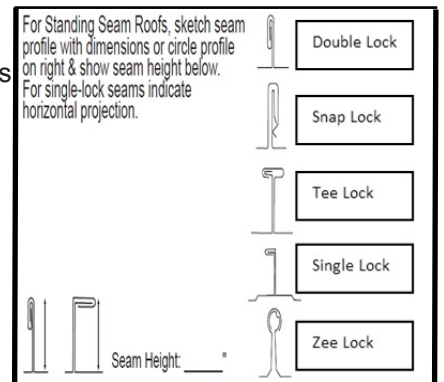
4. Do upper roofs dump snow onto lower roofs? ___ No ___ Yes
 5. Are drifting conditions on or expected on this roof? ___ No ___ Yes If yes, expected drift load: _____ psf
 6. Are there existing snow guards on this roof? ___ No ___ Yes

Application Information:

7. Installation Type: ___ New Roof ___ Existing Roof
 8. Roof Type: ___ Slate ___ Synthetic Slate (*Slate Size: _____ x _____*) ___ Flat Tile ___ Round Tile (*Tile Size: _____*)
(Tile Manufacturer and Model: _____) ___ Cedar Shingle ___ Comp. Shingle ___ Metal Shingle
 ___ Metal Standing Seam ___ Copper ___ Membrane (*Decor Ribs ___ Y or ___ N*) (Wood Blocking? ___ Insulation? ___)
 ___ Metal Corrugated (*Panel Width: _____ Rib Height: _____*)
 9. Type of snow guard desired: ___ Pad Style ___ Pipe Style ___ Fence Style ___ As Specified: _____
 10. Finish: ___ Mill Finish ___ Powder Coated: (Tiger-Drylac Ext. Coatings Chart) RAL # _____
 ___ Firestone Una Clad® _____ (for Pad Style and SnowMax Color Insert)

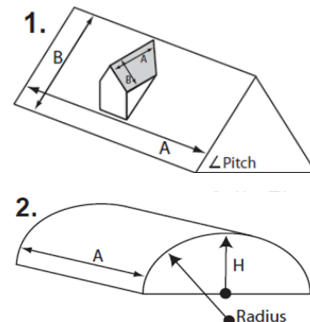
Metal Standing Seam Roofs:

Panel Material: ___ Steel ___ Aluminum ___ Copper ___ Lead Coat ___ Stainless
 Panel Width: _____ Seam Height: _____
 Panel Gauge: _____ (*We do not offer clamp to seam for 26 ga. or thinner*)
 Panel Finish: ___ Mill Finish ___ Kynar Painted
 Panel Manufacturer: _____ Model: _____



Roof Measurements: (We do not assume both sides of the roof unless Gable is checked.)

	Roof Pitch 1. or Radius 2.	Eave to Peak "B" or "H" height	Length of Eave "A"	Gable (Both Sides?)
Roof Area 1				
Roof Area 2				
Roof Area 3				
Roof Area 4				
Roof Area 5				
Roof Area 6				
Roof Area 7				
Roof Area 8				



Indicate how many roof areas have the same dimensions, i.e. X 2, X 4, etc.

Our products help qualify for Green Building Credits under LEED®.