



# ALPINE SNOWGUARDS™

www.alpinesnowguards.com

Alpine SnowGuards  
289 Harrel Street  
Morrisville, VT 05661  
Toll Free Phone 1.888.766.4273  
Toll Free Fax 1.888.766.9994  
Web www.alpinesnowguards.com  
E-mail info@alpinesnowguards.com

07 72 53 Snow Guards

#### NOTES:

1. SNOW GUARDS TO BE INSTALLED ACCORDING TO MANUFACTURER'S SPECIFICATIONS.
2. DO NOT SCALE DRAWINGS.
3. CONTACT MANUFACTURER FOR CUSTOM MATERIALS AND COLORS.
4. CONTACT MANUFACTURER FOR SUGGESTED LAYOUT.

#### MATERIAL

ZINC

ALUMINUM

POWDER COAT

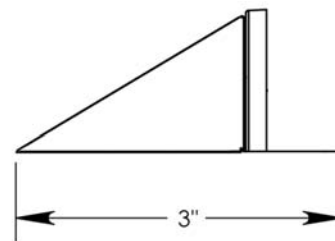
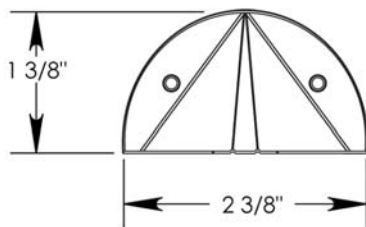
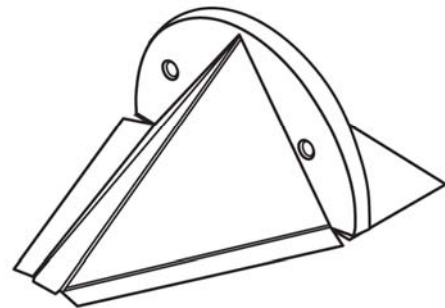
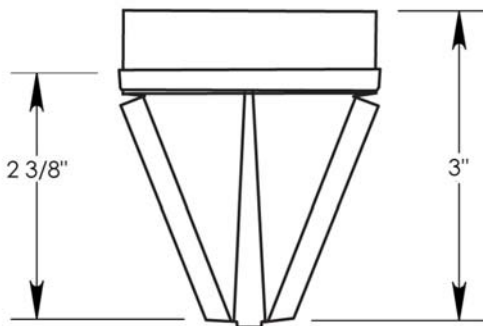
PAINTED

MILL FINISH

GALVALUME®

POWDER COAT

MILL FINISH



## Alpine SnowDog Half-Round Pad-Style Snow Guard for Metal Roofs



## SnowDog Snow Guard Specification Sheet

### PART 1 - GENERAL

#### 1.1 SUMMARY

##### A. WORK INCLUDES

1. The SnowDog Snow guard that attaches directly to the roof deck.
2. Coordinate with the installation of the roof to assure proper placement of the snow guards.
3. Provide appropriate snow guard and fasteners for the roof system.

##### B. RELATED SECTIONS

1. Section 07600: Flashing and Sheet Metal. MasterFormat™ 2004 07 60 00
2. Section 07610: Metal Roofing. MasterFormat™ 2004 07 61 00 Sheet Metal Roofing  
MasterFormat™ 2004 07 31 00 Metal Shingles  
MasterFormat™ 2004 07 41 00 Metal Panels
3. Division 7: Thermal and Moisture Protection.

#### 1.2 SYSTEM DESCRIPTION

##### A. COMPONENTS:

1. The SnowDog Snow guard system consists of individual metal snow guards.
2. Fasteners
  - a. Aluminum, Galvalume and zinc are adhered using Alpine SnowGuards Adhesive.

##### B. DESIGN REQUIREMENTS:

1. Spacing to be recommended by manufacturer or building engineer.
2. It is important to design new structures or assess existing structures to make sure that they can withstand retained snow loads.

#### 1.3 SUBMITTAL

- A. Submit manufacturer's specifications, standard detail drawings, recommended layout and installation instructions.

#### 1.4 QUALITY ASSURANCE

- A. Installer to be experienced in the installation of specified roofing material and snow guards for not less than 5 years in the area of the project.

#### 1.5 DELIVERY / STORAGE / HANDLING

- A. Inspect material upon delivery and order replacements for any missing or defective items. Keep material dry, covered and off the ground until installed.

### PART 2 – PRODUCTS

#### 2.1 MANUFACTURER

- A. Alpine SnowGuards. A division of Vermont Slate & Copper Services Inc., 289 Harrell St, Morrisville, VT (888) 766-4273, www.alpinesnowguards.com.

#### 2.2 MATERIALS (choose one).

- A. Galvalume® and Painted Galvanized, hood and gusset are 26 gauge.
- B. Aluminum hood and gusset are .032 Aluminum.

---

## Alpine SnowDog Half-Round Pad-Style Snow Guard for Metal Roofs



# ALPINE SNOWGUARDS™

www.alpinesnowguards.com

Alpine SnowGuards  
289 Harrel Street  
Morrisville, VT 05661  
Toll Free Phone 1.888.766.4273  
Toll Free Fax 1.888.766.9994  
Web www.alpinesnowguards.com  
E-mail info@alpinesnowguards.com

---

## 2.3 FINISH

- A. Mill finish.
- B. Powder coated
- C. Kynar™ 500 or Hylar™ 5000 pre-painted sheet (aluminum only).

## PART 3 - EXECUTION

### 3.1 EXAMINATION

- A. Substrate: Inspect roof system to be properly attached and installed to withstand additional loading incurred. Notify General Contractor of any deficiencies before installing Alpine SnowGuards.

### 3.2 INSTALLATION

- A. Comply with architectural drawings for location and with Manufacturer's instructions for recommended layout and installation.

---

## Alpine SnowDog Half-Round Pad-Style Snow Guard for Metal Roofs



## Instructions for the Alpine SnowGuard Adhesive Cartridge Adapter



Alpine SnowGuard Adhesive is a two-part structural adhesive for bonding metals and plastics. The open/working time is 5 minutes at 72° F – *you have 5 minutes to apply the snow guard to the roof panel after the adherent has been applied to the snow guard.*

If you stop using the adhesive cartridge for more than five minutes, the adhesive will set and you will need to replace the mixing tube.



The system consists of the Adhesive Cartridge, the caulking gun Adapter, the Cartridge Plunger and the Mixer (tube). The Alpine SnowGuard Adhesive cartridge adapter will fit all caulking guns.

To use, insert the cartridge into the adapter as shown in **Figure 1**.

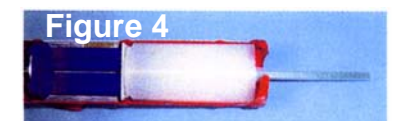
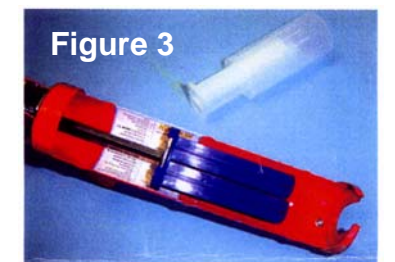
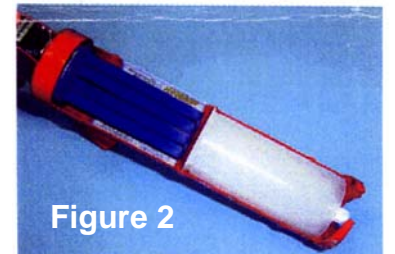
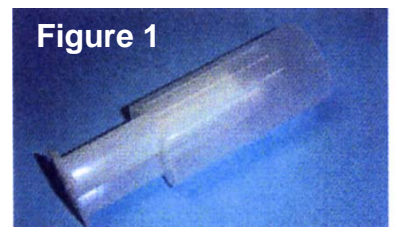
Slip the retainer on the blue cartridge plunger over the caulking gun follower plate – **Figure 2**.

Place the filled adapter in the caulking gun barrel, aligning the plunger with the cartridge – **Figure 3**.

Advance the plunger forward until light contact is made with the cartridge pistons. *If you are not going to use the entire cartridge immediately, you should mark the cap with a permanent marker so you can replace the cap correctly. Putting the cap on backwards will cause the adhesive to set and seal the cartridge. **Remove the tip cap from the cartridge and squeeze some adhesive out until it becomes a slightly yellow, cloudy color, dispose of any adhesive used before the mix is even.*** After you have squeezed out enough that the adhesive mix is equal, attach a mixing tube to the cartridge. **Note: Do Not Place the Mixer Tube on the Cartridge Until After You Have Squeezed Out Enough Excess to Make Both Side of the Cartridge Even.**

Mixer tubes cannot be reused. If the Mixer Tube is left unused for more than 5 minutes, it will be unusable.

The Alpine SnowGuard Adhesive is now ready to use **Figure 4**.



**Note: the two chambers may not be filled to the same level, you must squeeze out excess adhesive until both sides are aligned and the adhesive is coming out a cloudy yellow color before installing the mixing tube.**

## Alpine SnowDog Half-Round Pad-Style Snow Guard for Metal Roofs



## Installation Instructions for SnowDog Snow Guards

Contact the manufacturer for project specific recommended layouts.

### To bond onto the roof using Alpine SnowGuard Adhesive

The roof panel and snow guard should be wiped clean and free from dust or grit before installation using **isopropyl alcohol** – do not use denatured alcohol. Whenever possible, install the snow guards to the panel before the panels are installed on the roof.

### Usage:

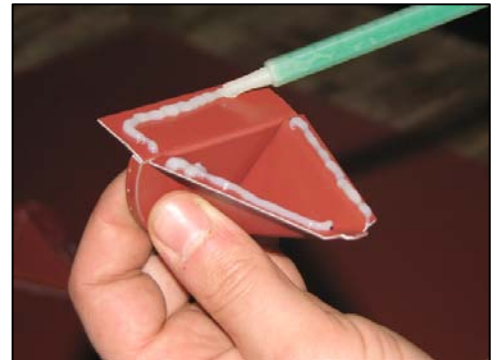
Prepare the Alpine SnowGuard Adhesive as described on the previous page. The pre-measured cartridges will combine the two parts in equal amounts. **Note: the cartridge may not be filled evenly, you must squeeze out the first part onto a rag or something similar and dispose of it, do not use the adhesive or attach the Mixer Tube until the two sides are mixing evenly.**

Carefully apply the adhesive to the undersides of the top tab and both side tabs. The adhesive should be applied in a moderate, even bead. Too much adhesive will cause a longer cure time.

After applying the adhesive to the back of the SnowDog, press the pad firmly against the roof and secure it with a piece of masking tape. **The SnowDog must not be moved or disturbed for at least 15 minutes for the bond to develop. Disturbing the SnowDog in any way within 15 minutes can keep the snow guard from properly adhering to the roof.**

Remove the masking tape as soon as possible after the adhesive has set to lessen the chance of the tape marking the roof.

**Note: the SnowDog must lie flat against the roof; you may need to slightly bend the tabs to get it to lie flat.**



### Temperature:

The temperature must be above 50° during installation and remain above 50° for at least 24 hours. If installing on an existing roof in cold weather, you may have to use a heat gun or heat box to bring the roof panel and snow guard up to temperature (60° to 70° is best) for installation. Whenever possible, install the snow guards on the panels before the panels are installed on the roof.

### Tips:

- As with caulk, relieve the pressure on the cartridge after use to minimize drool.
- Mark the cap with a permanent marker before removal so it may be replaced in the correct position to reseal the cartridge.
- The Mixer tube is pre-punctured; you do not need to cut the tip off.
- Use masking tape to hold the SnowDog in place while the adhesive is bonding, do not break the seal for at least fifteen minutes.
- Wipe off excessive adhesive.
- Make sure the roof panel and the SnowDog are both flat before installing.
- Have an Alpine SnowGuard Adhesive adapter for each installer and have extra Mixers on hand.

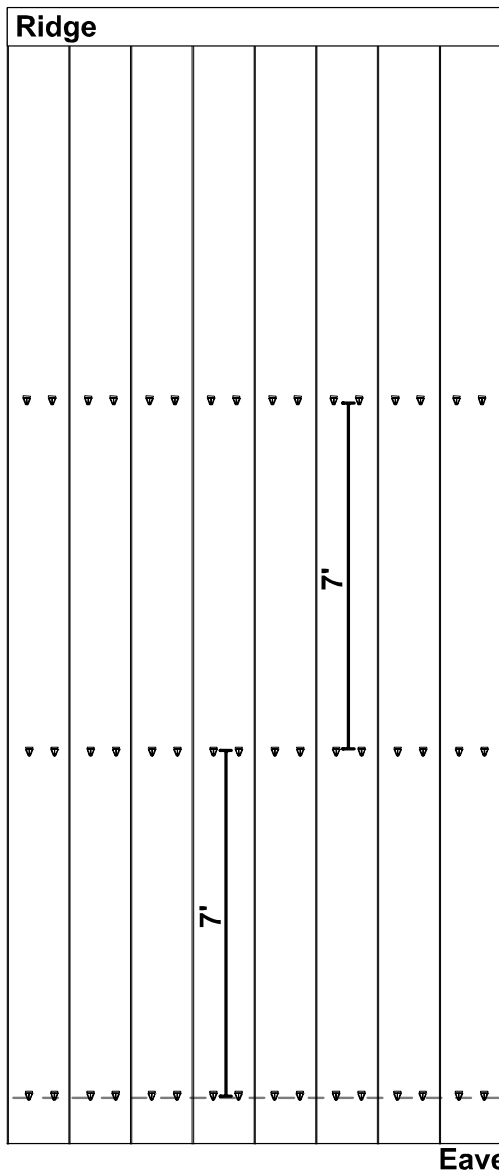
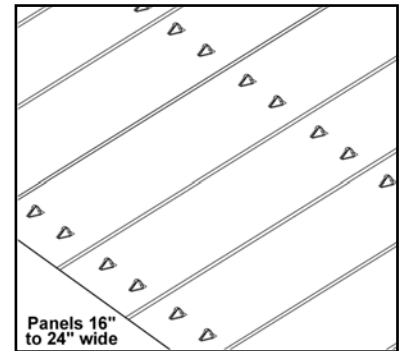
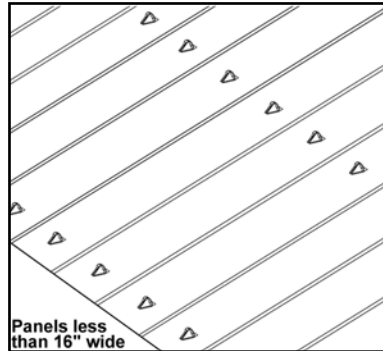
## Alpine SnowDog Half-Round Pad-Style Snow Guard for Metal Roofs



**For roofs with a 10/12 or less slope and 85 psf or less Building Design Load**

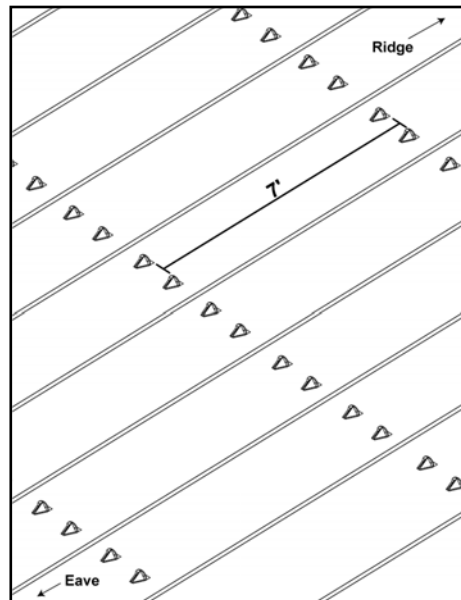
**Layout:**

For metal panels less than 16" wide use 1 SnowDog per panel per row. For panels 16" to 24" wide use 2 SnowDogs per panel per row. For panels wider than 24", place SnowDogs 12" on center.



Install a row of snow guards every 7' up the rafter until you are within 10' of the ridge. The first row should be installed above the line of the exterior supporting wall and an additional row placed every 7' vertically, i.e. a 25' long rafter should have 3 rows of snow guards, a 40' long rafter would get 5 rows of snow guards.

If your project roof has a slope of more than 10/12 or a Building Design Load of more than 85 psf, contact the manufacturer for a recommended layout.



**Alpine SnowDog Half-Round Pad-Style Snow Guard for Metal Roofs**

## Alpine SnowGuard Adhesive

Alpine SnowGuard Adhesive is a two-part structural adhesive that is not affected by UV rays. Surfaces should be cleaned with isopropyl alcohol before applying Alpine SnowGuard Adhesive, **DO NOT USE denatured alcohol**. Our adhesive can be used as a sealant as well as an adhesive.

Product	Application	Viscosity & Color	Work Time	Fixture Time	Ultimate Strength PSI
Alpine SnowGuard Adhesive	Fast Cure, PVC, Metals, Plastic	200,000cps Natural Resin	5 - 6 min*	10 -15 min	Aluminum 3390 PSI Steel 3365 PSI Plastics* SF

- 1 : 1 Mix Ratio in Convenient Cartridges
- Excellent Adhesion to Plastics and Metals
- Extreme Impact Resistance & Extreme Peel Strength
- 100% Reactive Solids Formulation for VOC Compliance and Safety
- Outstanding Toughness and Durability

**\*We recommend taping the snow guard to the roof immediately after applying the adhesive and not disturbing it for a minimum of 15 minutes.**

Alpine SnowGuard Adhesive is used in the aviation, nautical (marine) and automotive industries.

## Why Two-part Adhesives Fail

### Wrong Substrates

- Cleanliness
- Not Mixed Well Enough
- Mixed Off Ratio
- Clogged Mixer
- Clogged Cartridge
- Moved Prematurely
- Past Shelf Life
- Poor Storage Conditions
- Too Cold – do not use under 50° F.
- Too Hot – do not use over 125° F.

---

## Alpine SnowDog Half-Round Pad-Style Snow Guard for Metal Roofs