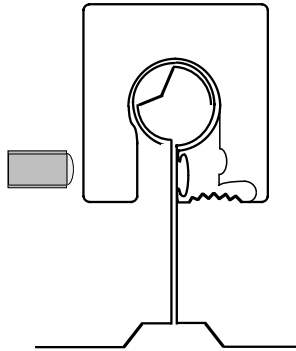


New for the 21st century...

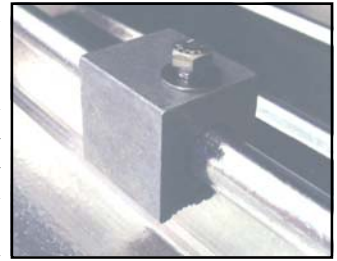
S-5-Z



This new clamp will fit profiles having a "bulb" shaped seam configuration. The two-piece clamp design was developed by S-5! to be easily installed anywhere along the length of the panel seam. This clamp is useful for all kinds of utility roof attachments, and is compatible with COLORGARD™ snow retention accessories.

The clamp installs by the placement of the insert piece and the tightening of two set screws at the base of the clamp. These are the only fasteners needed to secure the clamp to the panel seam. The special, patented set screw developed by the makers of S-5! has a polished round point which will slightly dimple the metal seam material to increase purchase and retain the clamp in position. It will not, however puncture the seam material. Holding strength of the clamp is directly related to set screw tension, and this tension should be periodically verified on critical installations. Orientation of the clamp is not critical (e.g. set screws may be on either side of the seam). The clamp has a length of 2" (50.8 mm) and is furnished complete with a 3/8" (9.5 mm) diameter stainless steel bolt and washer. The attachment hole is laterally located over the center of the seam, and 1/2" (12.7 mm) from one end of the clamp.

The new S-5-Z is a structural aluminum attachment clamp, compatible with aluminum, painted galvanized steel, Al-Zn coated steel, titanium zinc, and stainless steel. It has been tested for load-to-failure results on Merchant & Evans "Zip Rib" profiles of aluminum and steel. Load test results are tabulated below. Different materials, tempers and thicknesses may produce different results. Note that the failure mode of this clamp model is migration of 8 mm. The specimens never yielded at these loads. See the S-5! website for a complete description of test protocol as well as other clamp models and data.



WARNING:

The S-5-Z clamp is a handy gadget for a great many uses, but will not perform miracles.

PLEASE USE THIS PRODUCT RESPONSIBLY!

Any loads imposed on the S-5 clamp will be transferred to the panels. Panels must be adequately attached to the building structure to resist these loads. For critical installations, inquire for specific test data of ultimate tensile load on specific panel materials. When ultimate values are used, screw tension should be verified as tested and safety factors should be used as appropriate.

THE MANUFACTURER EXPRESSES NO OPINIONS AS TO THE SUITABILITY OF THE S-5 CLAMP FOR ANY SPECIFIC APPLICATION OR PROJECT CONDITION. ALWAYS PROVIDE WORKER FALL PROTECTION WHEN INSTALLING S-5! THE MANUFACTURER DOES NOT TEST OR APPROVE S-5 CLAMP ASSEMBLIES FOR USE AS A PERSONAL FALL RESTRAINT DEVICE.

Intellectual property notice:

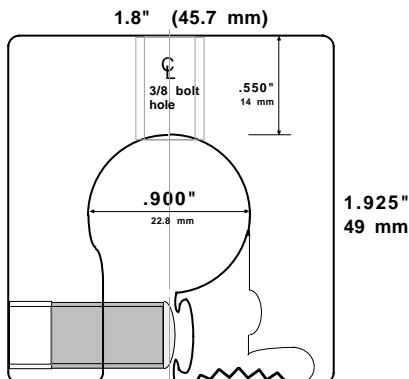
S-5 products are protected by multiple U.S. patents including 5,228,248, 5,983,588 and 6,164,033 (others issued and pending). European patents are also applied for and pending under the Patent Cooperation Treaty with divisional filing rights retained. Metal Roof Innovations, Ltd. (licensor of S-5 technology) aggressively prosecutes patent infringement. S-5, S-5!, S-5-Z and ColorGard are trademarks owned by Metal Roof Innovations, Ltd.

THE NEW S-5-Z (2K) INDEPENDENT LAB TEST RESULTS

Load is applied parallel to panel seam. See the S-5 website for more test information

clamp	specimen by	material	thickness	mech prop	screw tensn	ave lbs	ave kg	mode
Z(2k)	Merchant & Evans	Al 3004H36	.032"	33/26 ksi min	13 nm/115 in lbs	2,642	1,116	migration
Z(2k)	Merchant & Evans	Al 3004H36	.040"	33/26 ksi min	13 nm/115 in lbs	2,460	1,198	migration
Z(2k)	Merchant & Evans	Steel AZ50	.024"	Grade B-50	13 nm/115 in lbs	1,766	801	migration

THESE ARE ULTIMATE FAILURE LOADS. APPROPRIATE FACTORS OF SAFETY SHOULD BE UTILIZED



The new S-5-Z critical dimensions are shown above



Specialty clamps for standing seam metal roofing from Metal Roof Innovations, Ltd.

www.S-5solutions.com

...where better ideas are an everyday thing!