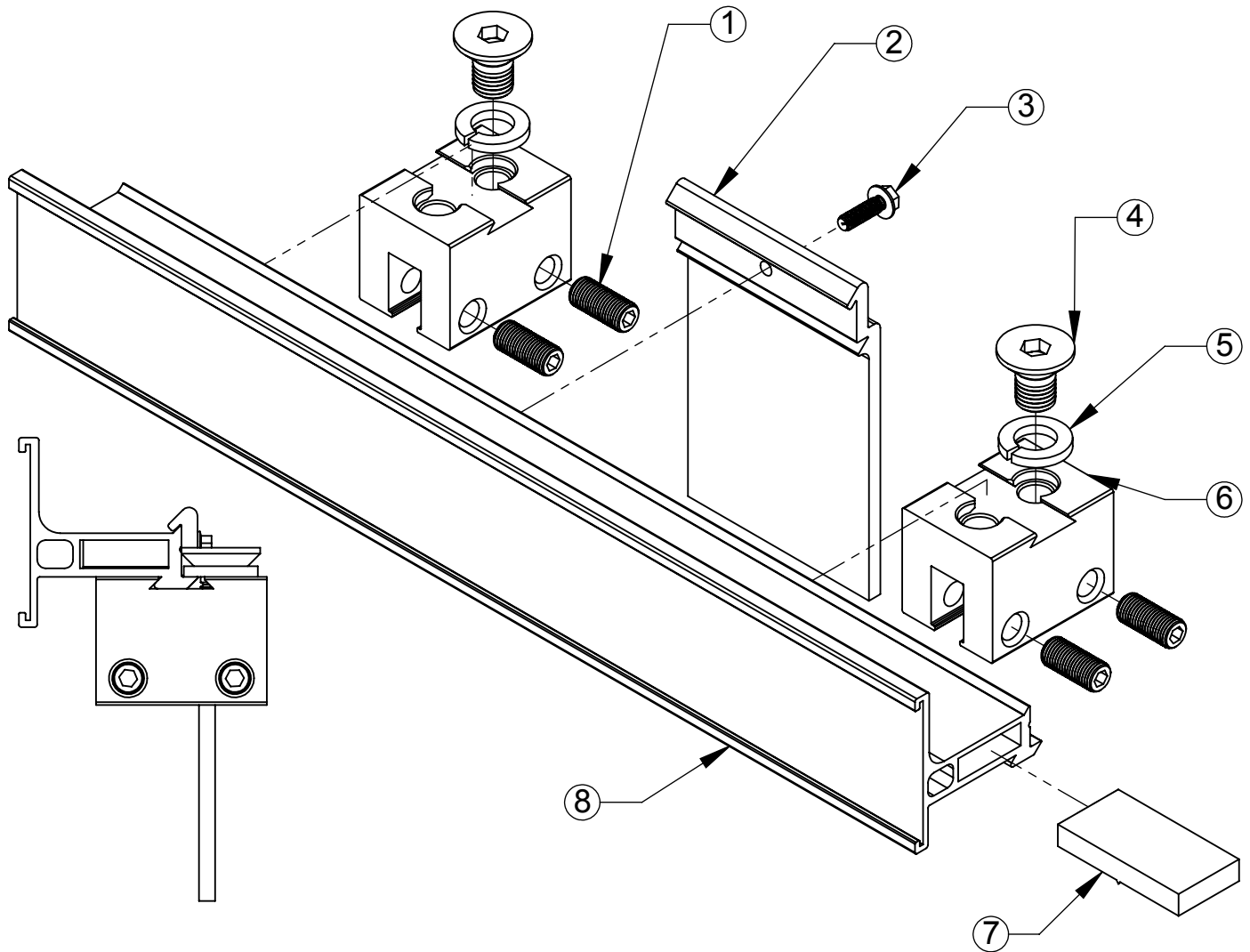


Assembly Sheet - SnowMax

1. Installation to be completed in accordance with manufacturer's written specifications and installation instructions.
2. See spec sheet or contact manufacturer for detailed material, finishes, and configuration options.
3. Contact manufacturer for detailed layout.
4. Do not scale drawings.
5. Subject to change without notice.



ITEM NO.	PART CODE	DESCRIPTION	QTY
1	SET-0 SS-.375-24X.75	SS Set Screw OP .3750-24x.75	2 per Block
2	SNOWMAX-IF	Snowmax Ice Flag-Aluminum	As Needed
3	POLYKIT SM ICE FLAG	#8-18 Tek Screw 18.8 Stainless Steel	1 per Ice Flag
4	B-FLT SS-M12X1.75X.25	SS Flat Head Bolt M12-1.75x.25	1 per Block
5	W-LOCK SS-.5	SS Lock Washer .5 ID	1 per Block
6	SNOWMAX-U2	SnowMax U Block 2"-Aluminum	As Needed
7	SM SPLICE PLATE	Splice Plate Aluminum 1"	As Needed
8	SNOWMAX-BAR	SnowMax Bar 2" with Splice Plate	As Needed



289 Harrel Street
Morrisville, VT 05661

Toll Free Phone 1.888.766.4273
Toll Free Fax 1.888.766.9994

Toll Free Phone 1.877.859.3947
Toll Free Fax 1.888.766.9994

Material: See Spec Sheet

Scale: 1::2 4/22/2015 ASG: X EFS: -