

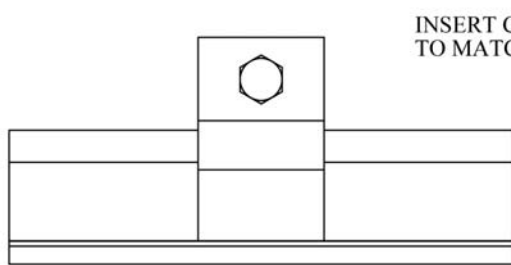


#76 ColorGard Pipe-style Snow Guard

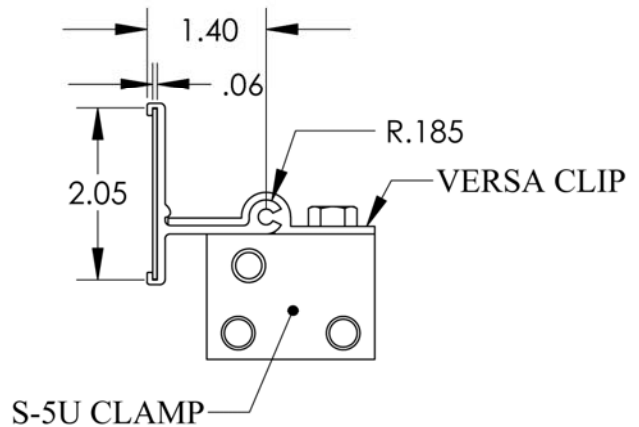
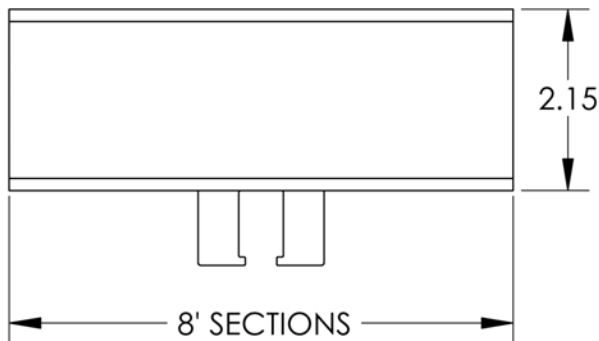
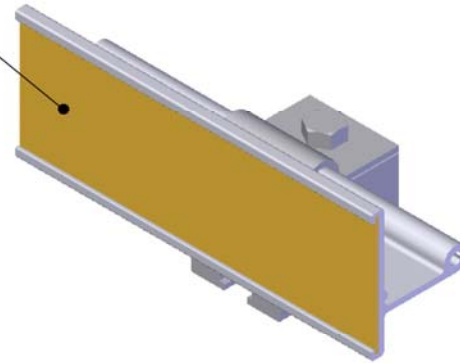
NOTES:

1. INSTALLATION TO BE COMPLETED IN ACCORDANCE WITH MANUFACTURER'S SPECIFICATIONS.
2. DO NOT SCALE DRAWINGS.
3. CONTACT MANUFACTURER FOR DETAILED LAYOUT.

REVISIONS		
REV.	DESCRIPTION	DATE



INSERT COLOR GUARD
TO MATCH ROOF COLOR

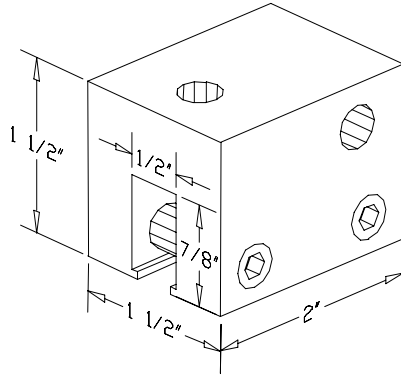


Distributed by Alpine SnowGuards.

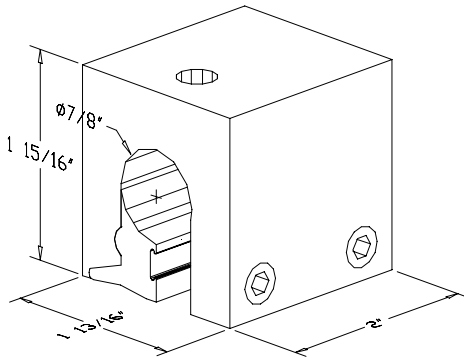
#76 ColorGard Pipe-style Snow Guard for Standing Seam Roofs



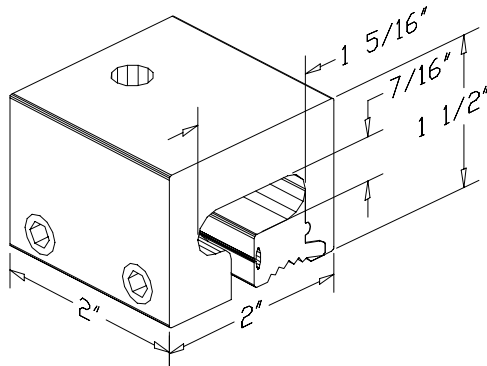
S-5™ Clamps and Accessories



#S-5-U Available only in aluminum. Can be used in conjunction with #76 ColorGard™ as a snow guard or on its own as an attachment point for standing seam metal



#S-5-Z2K Available only in aluminum. Can be used in conjunction with #76 ColorGard™ as a snow guard or on its own as an attachment point for standing seam metal



#S-5-T2 Available only in aluminum. Can be used in conjunction with #76 ColorGard™ as a snow guard or on its own as an attachment point for standing seam metal roofs.

I have verified that this clamp/bracket will fit the seam for this project.

Project Name: _____

Clamp: _____

Signature: _____ Date: _____

#76 ColorGard Pipe-style Snow Guard for Standing Seam Roofs