



ALPINE SNOWGUARDS™

www.alpinesnowguards.com

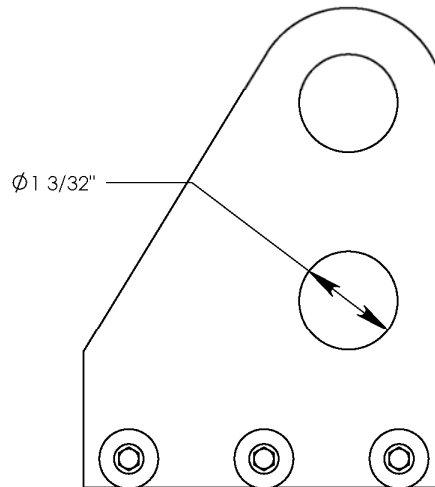
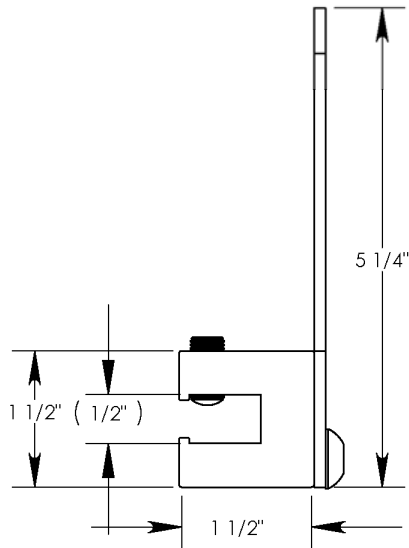
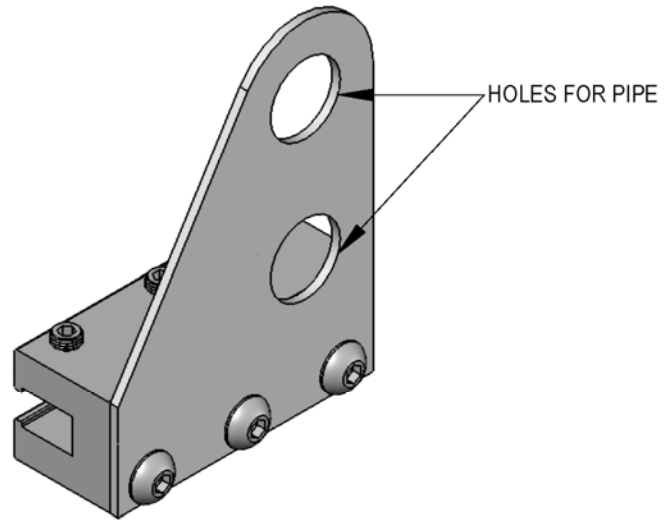
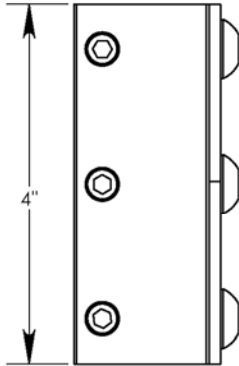
289 Harrel Street
 Morrisville, VT 05661
 Toll Free Phone 1.888.766.4273
 Toll Free Fax 1.888.766.9994
 Web www.alpinesnowguards.com
 E-mail info@alpinesnowguards.com

NOTES:

1. SNOW GUARDS TO BE INSTALLED ACCORDING TO MANUFACTURER'S SPECIFICATIONS.
2. DO NOT SCALE DRAWINGS.
3. CONTACT MANUFACTURER FOR DETAILED LAYOUT.
4. PRODUCTS MAY VARY FROM ILLUSTRATION.

- CONFIGURATION
- 2 PIPE
- PIPE SYSTEM COMPONENTS
- PIPE
- END CAPS
- END COLLARS
- COUPLINGS
- ICE FLAGS (OPTIONAL)

- 07 72 53 Snow Guards
- MATERIAL
- ALUMINUM
- FINISH
- MILL (STANDARD)
- POWDER COATED
- RAL: # _____



I have verified that this clamp will fit the seam for this project.

Signature: _____ Date: _____

To confirm order, return signed cut sheet and sales quote.

#4000T Two-Pipe Clamp to the Seam Snow Guard for Standing Seam Metal Roofs

#4000 Snow Guard Specification Sheet

PART 1 - GENERAL

1.1 SUMMARY

A. WORK INCLUDES

1. #4000 Snow guard that does not penetrate the roof using S-5! Technology.
2. Provide appropriate snow guard and fasteners for the roof system.

B. RELATED SECTIONS

1. Section 07600: Flashing and Sheet Metal. MasterFormat™ 2004 07 60 00
2. Section 07610: Metal Roofing MasterFormat™ 2004 07 61 00
3. Division 7: Thermal and Moisture Protection.

1.2 SYSTEM DESCRIPTION

A. COMPONENTS:

1. #4000 Snow guard system consists of snow guard block and flag assembly and set screws.
2. Aluminum tubing.
3. Couplings.
4. End Plugs (optional).
5. Ice Flags (optional).
6. End Collars (optional).

B. DESIGN REQUIREMENTS:

1. Spacing to be recommended by manufacturer or building engineer.
2. Uses 3 set screws per snow guard.
3. It is important to design new structures or assess existing structures to make sure that they can withstand retained snow loads.

1.3 SUBMITTAL

- A. Submit manufacturer's specifications, standard detail drawings, recommended layout and installation instructions.
- B. provide manufacturer's test data for this roof type and roof deck, and calculations to support the recommended layout

1.4 QUALITY ASSURANCE

- A. Installer to be experienced in the installation of specified roofing material and snow guards for not less than 5 years in the area of the project.

1.5 DELIVERY / STORAGE / HANDLING

- A. Inspect material upon delivery and order replacements for any missing or defective items. Keep material dry, covered and off the ground until installed.

PART 2 - PRODUCTS

2.1 MANUFACTURER

- A. Alpine SnowGuards. A division of Vermont Slate & Copper Services Inc., 289 Harrell St, Morrisville, VT (888) 766-4273, www.alpinesnowguards.com.

#4000T Two-Pipe Clamp to the Seam Snow Guard for Standing Seam Metal Roofs

2.2 MATERIALS

- A. Snow guard Block and Flag are extruded and milled 6061-T6 and 6005-T5 Aluminum
- B. Tubing is 6061-T6 1" outside diameter and 1/8" wall thickness extruded Aluminum.
- C. Couplings 2011 Aluminum 3" long.
- D. End Caps are 302 stainless steel.
- E. Ice Flags are 5052-H32 Aluminum 3" x _" (as needed).
- F. End Collars are 6061-T6 aluminum shaft collars.
- G. Bolts are 302 or 304 Stainless Steel.
- H. Set screws: 300 Series stainless steel, 18-8 alloy, 3/8 inch diameter, with round nose point, three per clamp. Cup-point setscrews are not permitted.

2.3 FINISH

- A. All materials provided mill finish. Coatings available upon request.

PART 3 - EXECUTION

3.1 EXAMINATION

- A. Substrate: Inspect roof system to be properly attached and installed to withstand additional loading incurred. Notify General Contractor of any deficiencies before installing Alpine SnowGuards.

3.2 INSTALLATION

- A. Comply with architectural drawings for location and with Manufacturer's instructions for installation

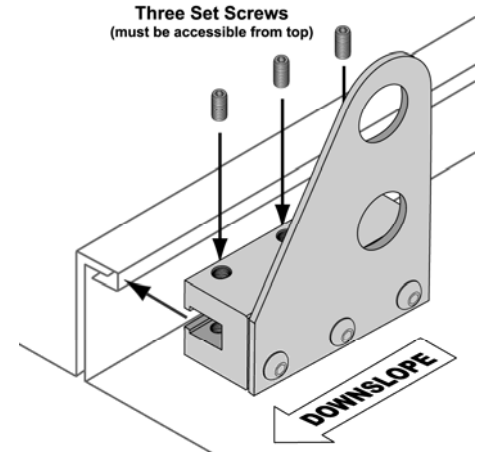
#4000T Two-Pipe Clamp to the Seam Snow Guard for Standing Seam Metal Roofs



Installation Instructions for #4000T Pipe Style Snow Guards

I. Bracket Installation

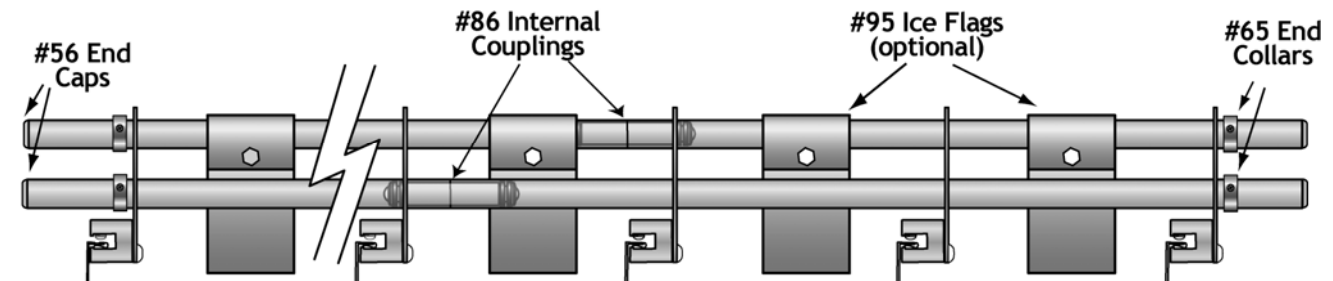
1. When attaching clamps to seams which are machine folded (regardless of panel profile and geometry), the S-5-U clamp is designed to engage the seam as shown for horizontal seam applications. The set screws must be accessible from the top for tightening.
2. NOTE: Some horizontal seams may require additional hand crimping at the clamp location. Consult your S-5! distributor for crimping tool information.
3. Assemble three set screws into the top of the clamp, being careful that the snow guard flag will be in the desired (upslope or downslope) orientation.
4. Position the clamps appropriately on the panel seam. Using a 3/16" allen-wrench attachment tip for a 1/4" drive screw gun, tighten and retighten set screws as the seam material compresses. (These screw gun tips are available from your S-5! product distributor). On low seam profiles, a 4" bit extension on the screw gun will facilitate this work. Most industrial grade screw guns are rated at 115 inch-pounds tightening torque and will deliver between 115 and -lbs (13-17Nm) at the *highest torque setting*. Please see ultimate load table for proper screw tensions and caution notes for various panel seams.
5. **CAUTION:** Battery-operated guns may not deliver consistent screw tension. Drywall guns may not deliver adequate tension.
6. Insert the 1" o.d. tubing through the holes in the uprights.
7. See Pipe Coupling Installation instructions for installing the 1" o.d. tubing.



II. Locking Collars, End Caps, and Ice Flags (optional)

See the Pipe Accessories Installation document for instructions on using the Internal Coupling (#86), End Caps (#56), End Collars (#65) and Ice Flags (#96).

*Please note: If it is necessary to unassemble and reassemble the #4000T bracket, the bolts that hold the flag onto the bracket in the upper holes and the bolts in the lower holes are threaded differently.



The S-5! clamp is a handy gadget for a great many uses, but will not perform miracles. PLEASE USE THIS PRODUCT RESPONSIBLY! Any loads imposed on the S-5! clamp will be transferred to the panels. Panels must be adequately attached to building structure to resist these loads. For critical installations, inquire for specific test data of ultimate tensile load on specific panel materials and seam types. When tabled values are used, screw tensions should be verified and factors of safety should be used as appropriate. The manufacturer expresses no opinions as to the suitability of the S-5! for any specific application or project condition. ALWAYS PROVIDE WORKER FALL PROTECTION WHEN INSTALLING S-5!. THE S-5! CLAMP IS NOT APPROVED FOR USE AS A PERSONAL FALL RESTRAINT DEVICE
Copyright © 2007, Metal Roof Innovations, Ltd.

#4000T Two-Pipe Clamp to the Seam Snow Guard for Standing Seam Metal Roofs