



ALPINE SNOWGUARDS™

www.alpinesnowguards.com

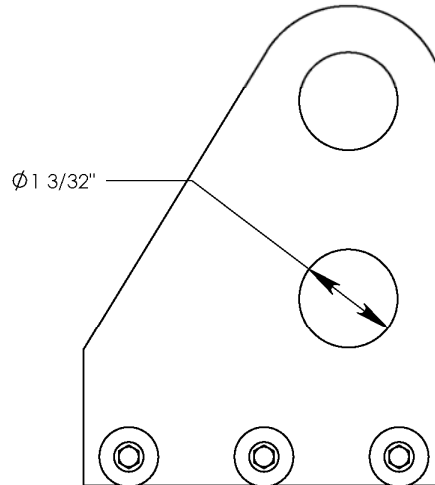
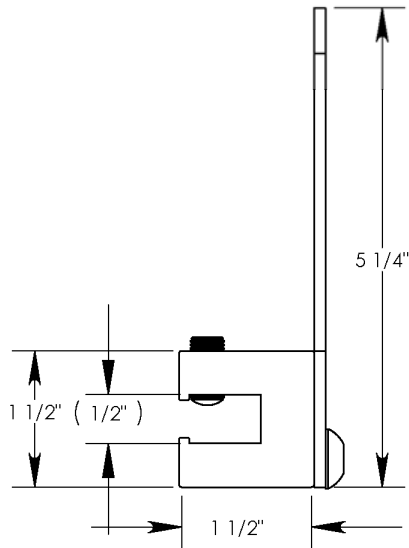
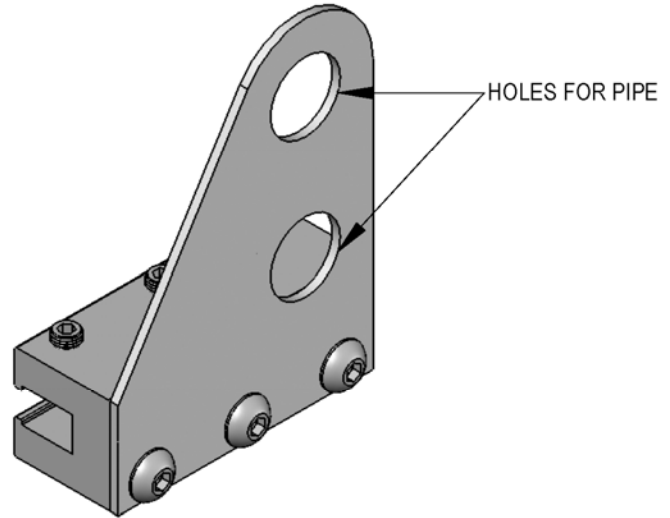
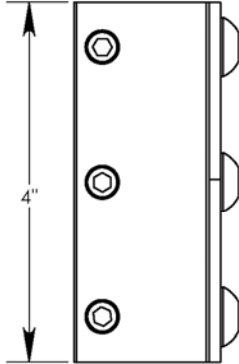
289 Harrel Street
 Morrisville, VT 05661
 Toll Free Phone 1.888.766.4273
 Toll Free Fax 1.888.766.9994
 Web www.alpinesnowguards.com
 E-mail info@alpinesnowguards.com

NOTES:

1. SNOW GUARDS TO BE INSTALLED ACCORDING TO MANUFACTURER'S SPECIFICATIONS.
2. DO NOT SCALE DRAWINGS.
3. CONTACT MANUFACTURER FOR DETAILED LAYOUT.
4. PRODUCTS MAY VARY FROM ILLUSTRATION.

- CONFIGURATION
- 2 PIPE
- PIPE SYSTEM COMPONENTS
- PIPE
- END CAPS
- END COLLARS
- COUPLINGS
- ICE FLAGS (OPTIONAL)

- 07 72 53 Snow Guards
- MATERIAL
- ALUMINUM
- FINISH
- MILL (STANDARD)
- POWDER COATED
- RAL: # _____



I have verified that this clamp will fit the seam for this project.

Signature: _____ Date: _____

To confirm order, return signed cut sheet and sales quote.

#4000T Two-Pipe Clamp to the Seam Snow Guard for Standing Seam Metal Roofs