



NOTES:

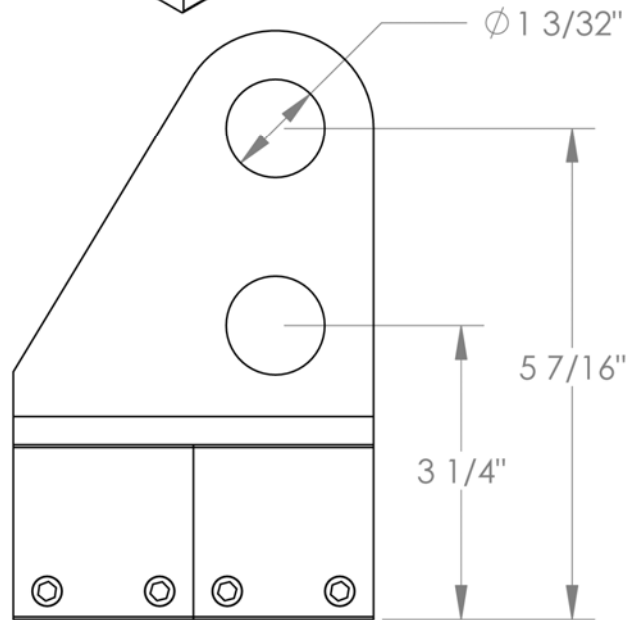
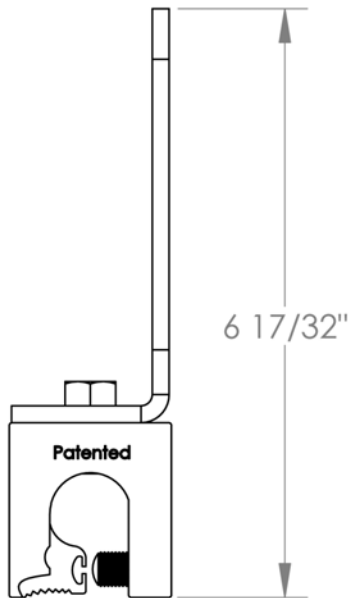
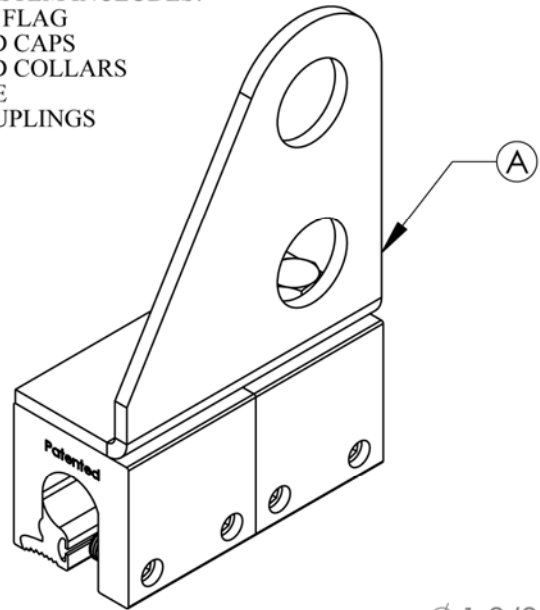
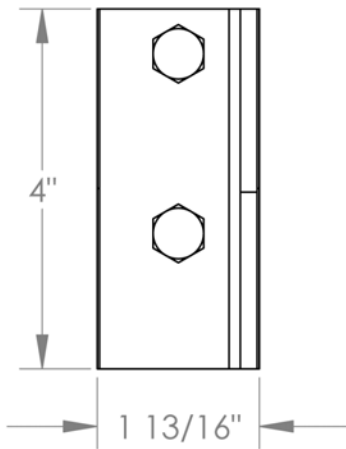
1. INSTALLATION TO BE COMPLETED IN ACCORDANCE WITH MANUFACTURER'S SPECIFICATIONS.
2. DO NOT SCALE DRAWINGS.
3. CONTACT MANUFACTURER FOR DETAILED LAYOUT.

REVISIONS		
REV.	DESCRIPTION	DATE
A	Changed flag to bent design	3/3/2008

- DESIRED PIPE CONFIGURATION SELECT DESIRED FINISH
- 2 PIPE HI-HOLE MILL (STANDARD)
- 2 PIPE POWDER COAT
- ANODIZED

PIPE SYSTEM INCLUDES:

- ICE FLAG
 END CAPS
 END COLLARS
 PIPE
 COUPLINGS



#4000Z2K Two-Pipe Clamp to the Seam Snow Guard for Standing Seam Metal Roofs