



# ALPINE SNOWGUARDS™

www.alpinesnowguards.com

Alpine SnowGuards  
289 Harrel Street  
Morrisville, VT 05661  
Toll Free Phone 1.888.766.4273  
Toll Free Fax 1.888.766.9994  
Web www.alpinesnowguards.com  
E-mail info@alpinesnowguards.com

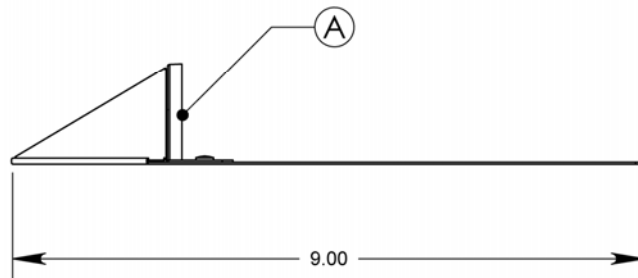
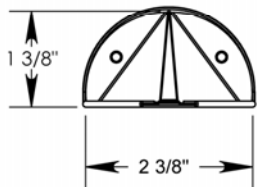
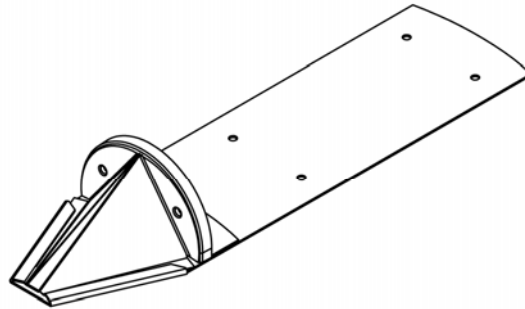
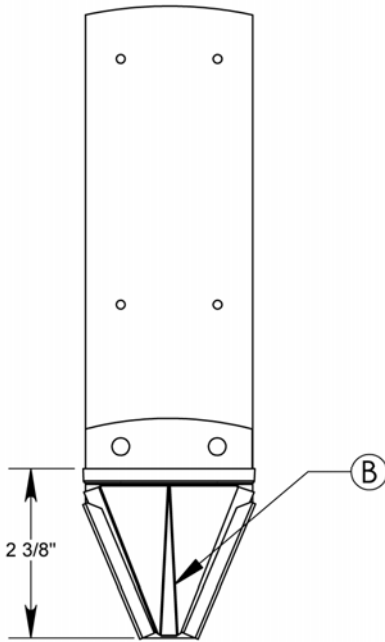
07 52 53 Snow Guards

**NOTES:**

1. SNOW GUARDS TO BE INSTALLED ACCORDING TO MANUFACTURER'S SPECIFICATIONS.
2. DO NOT SCALE DRAWINGS.
3. CONTACT MANUFACTURER FOR CUSTOM MATERIALS AND COLORS.
4. CONTACT MANUFACTURER FOR SUGGESTED LAYOUT.

REVISIONS		
REV.	DESCRIPTION	DATE
A	CHANGE DIRECTION OF SNOW PAD	01/01/06
B	NEW GUSSET DESIGN	6/19/2006

- MATERIAL
- COPPER
- ZINC
- LEAD-COATED COPPER
- ALUMINUM
- POWDER COAT
- PAINTED
- MILL FINISH
- FREEDOM GRAY
- GALVALUME
- POWDER COAT
- MILL FINISH



## #40 Half-Round Pad-Style Snow Guard for Synthetic Slate