



**ALPINE
SNOWGUARDS™**
www.alpinesnowguards.com

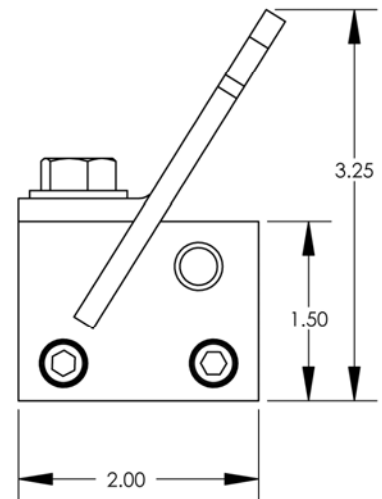
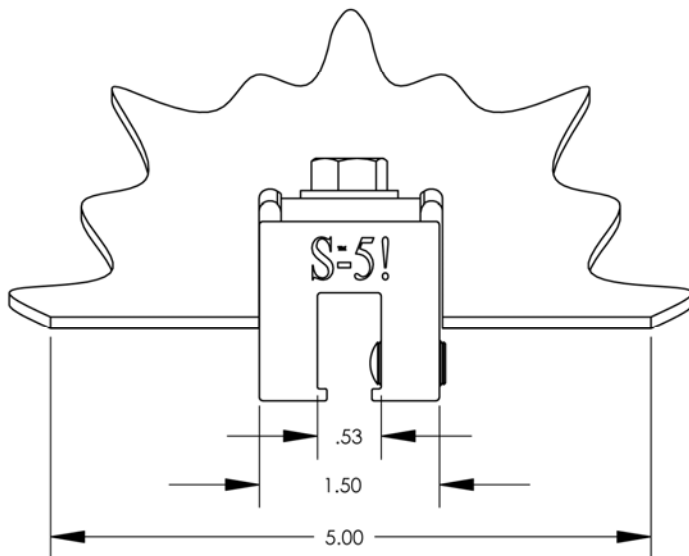
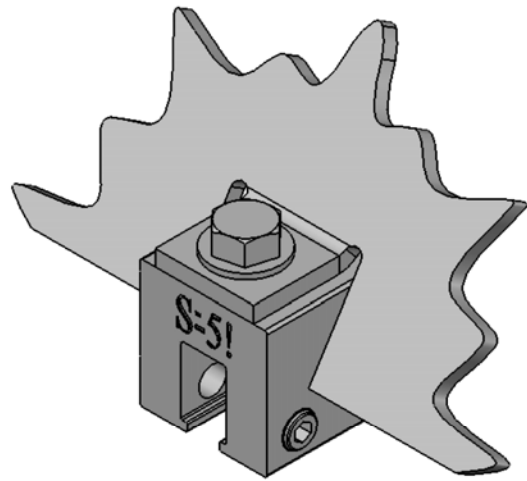
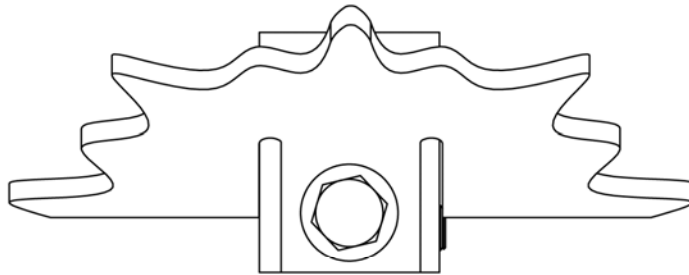
Alpine SnowGuards
289 Harrel Street
Morrisville, VT 05661
Toll Free Phone 1.888.766.4273
Toll Free Fax 1.888.766.9994
Web www.alpinesnowguards.com
E-mail info@alpinesnowguards.com

07 52 53 Snow Guards

NOTES:

1. SNOW GUARDS TO BE INSTALLED ACCORDING TO MANUFACTURER'S SPECIFICATIONS.
2. DO NOT SCALE DRAWINGS.
3. CONTACT MANUFACTURER FOR CUSTOM MATERIALS AND COLORS.
4. CONTACT MANUFACTURER FOR SUGGESTED LAYOUT.

REVISIONS		
REV.	DESCRIPTION	DATE



#34 "U" Pad-Style Clamp to the Seam Snow Guard for Standing Seam Metal Roofs

#34 Snow Guard Specification Sheet

PART 1 - GENERAL

1.1 SUMMARY

A. WORK INCLUDES

1. #34 Snow guard that does not penetrate the roof by using S-5! Technology.
2. Provide appropriate snow guard and fasteners for the roof system.

B. RELATED SECTIONS

1. Section 07600: Flashing and Sheet Metal. MasterFormat™ 2004 07 60 00
2. Section 07610: Metal Roofing MasterFormat™ 2004 07 61 00
3. Division 7: Thermal and Moisture Protection.

1.2 SYSTEM DESCRIPTION

A. COMPONENTS:

1. #33 Snow guard system consists of snow guard block with bolt, washer, pad assembly and set screws.

B. DESIGN REQUIREMENTS:

1. Spacing to be recommended by manufacturer or building engineer.
2. 2 set screws per snow guard.
3. It is important to design new structures or assess existing structures to make sure that they can withstand retained snow loads.

1.3 SUBMITTAL - Submit manufacturer's specifications, standard detail drawings, recommended layout and installation instructions.

1.4 QUALITY ASSURANCE - Installer to be experienced in the installation of specified roofing material and snow guards for not less than 5 years in the area of the project.

1.5 DELIVERY / STORAGE / HANDLING - Inspect material upon delivery and order replacements for any missing or defective items. Keep material dry, covered and off the ground until installed.

PART 2 - PRODUCTS

2.1 MANUFACTURER

- A. Alpine SnowGuards. A division of Vermont Slate & Copper Services Inc., 289 Harrell St, Morrisville, VT (888) 766-4273.

2.2 MATERIALS

- A. Snow guard Block is extruded and milled 6061-T6 and 6005-T5 Aluminum
- B. Snow guard Pad is extruded or milled 5052-H32 Aluminum.
- C. Fasteners are 302 or 304 Stainless Steel.

2.3 FINISH - All materials provided mill finish. Coatings available upon request.

PART 3 - EXECUTION

3.1 EXAMINATION

- A. Substrate: Inspect roof system to be properly attached and installed to withstand additional loading incurred. Notify General Contractor of any deficiencies before installing Alpine SnowGuards.

3.2 INSTALLATION

- A. Comply with architectural drawings for location and with Manufacturer's instructions for installation and recommended layout.

#34 "U" Pad-Style Clamp to the Seam Snow Guard for Standing Seam Metal Roofs

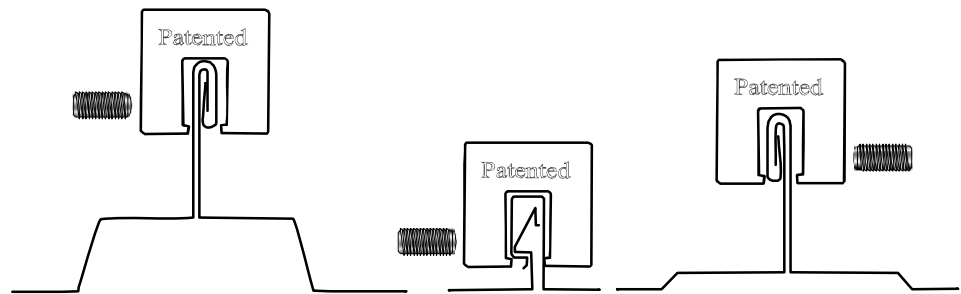
#34 Snow Guard – Options and Installation

The #34 snow guard is available with these S-5! clamps:

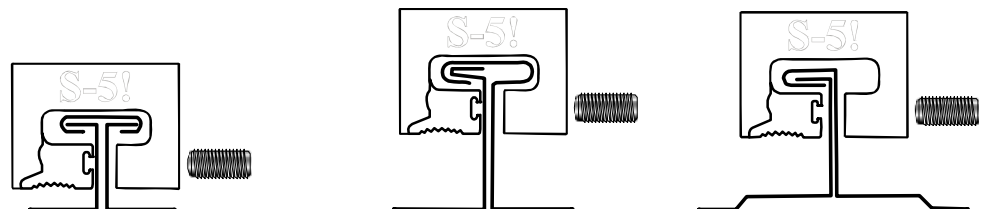
- U: for standard double lock seams
- T (T2K) for Tee Ribs or single lock seams
- Z (Z2K) for Zip Ribs

See our #33 specs for installation information.

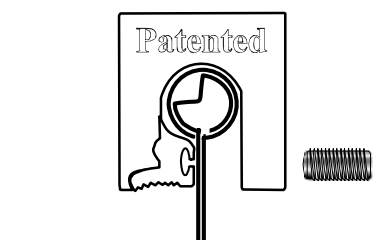
S-5! U for Double Lock Seams



S-5! T for Tee or Single Lock Seams



S-5! Z for Zip Rib Seams



#34 “U” Pad-Style Clamp to the Seam Snow Guard for Standing Seam Metal Roofs