



ALPINE SNOWGUARDS™

www.alpinesnowguards.com

Alpine SnowGuards
 289 Harrel Street
 Morrisville, VT 05661
 Toll Free Phone 1.888.766.4273
 Toll Free Fax 1.888.766.9994
 Web www.alpinesnowguards.com
 E-mail info@alpinesnowguards.com

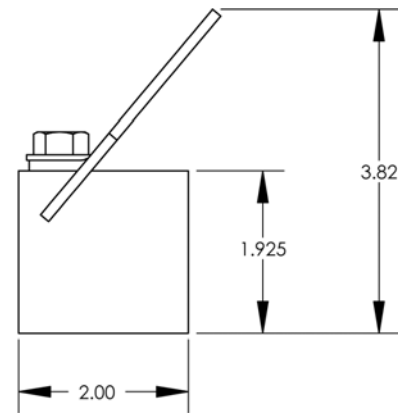
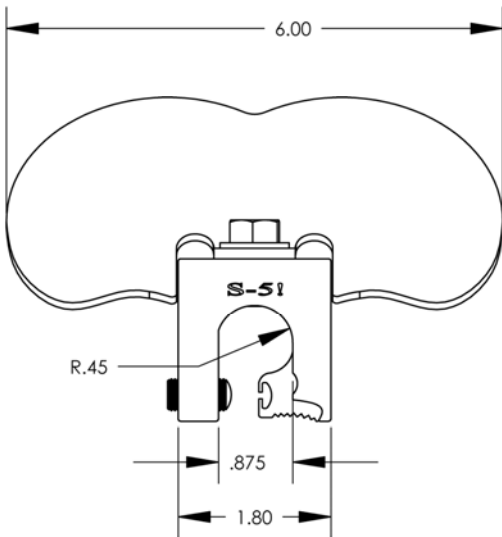
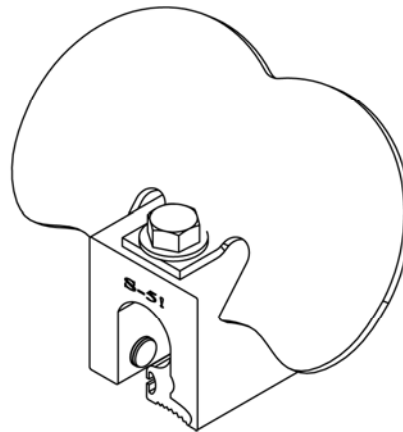
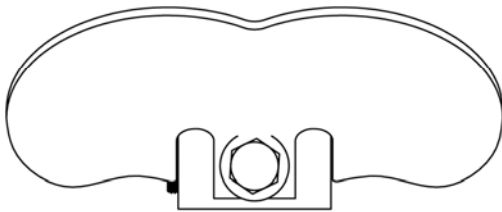
07 52 53 Snow Guards

NOTES:

1. SNOW GUARDS TO BE INSTALLED ACCORDING TO MANUFACTURER'S SPECIFICATIONS.
2. DO NOT SCALE DRAWINGS.
3. CONTACT MANUFACTURER FOR CUSTOM MATERIALS AND COLORS.
4. CONTACT MANUFACTURER FOR SUGGESTED LAYOUT.

REVISIONS		
REV.	DESCRIPTION	DATE

- MATERIAL
 ALUMINUM



Sign here to show that you verify that this snow guard will fit the seam for this project. Signature is **required**. Verify visually with this cut sheet or request a sample.

Signature: _____

Date: _____

#33 Z (Z2K) Pad-Style Clamp to the Seam Snow Guard for Standing Seam Metal Roofs

#33Z (Z2K) Snow Guard Specification Sheet

PART 1 - GENERAL

1.1 SUMMARY

A. WORK INCLUDES

1. #33 Snow guard that does not penetrate the roof by using S-5! Technology
2. Provide appropriate snow guard and fasteners for the roof system.

B. RELATED SECTIONS

1. Section 07600: Flashing and Sheet Metal. MasterFormat™ 2004 07 60 00
2. Section 07610: Metal Roofing MasterFormat™ 2004 07 61 00
3. Division 7: Thermal and Moisture Protection.

1.2 SYSTEM DESCRIPTION

A. COMPONENTS:

1. #33 Snow guard system consists of snow guard block with bolt, washer, pad assembly and set screws.

B. DESIGN REQUIREMENTS:

1. Spacing to be recommended by manufacturer or building engineer.
2. 2 set screws per snow guard.
3. It is important to design new structures or assess existing structures to make sure that they can withstand retained snow loads.

1.3 SUBMITTAL - Submit manufacturer's specifications, standard detail drawings, recommended layout and installation instructions.

1.4 QUALITY ASSURANCE - Installer to be experienced in the installation of specified roofing material and snow guards for not less than 5 years in the area of the project.

1.5 DELIVERY / STORAGE / HANDLING - Inspect material upon delivery and order replacements for any missing or defective items. Keep material dry, covered and off the ground until installed.

PART 2 - PRODUCTS

2.1 MANUFACTURER

- A. Alpine SnowGuards. A division of Vermont Slate & Copper Services Inc., 289 Harrell St, Morrisville, VT (888) 766-4273.

2.2 MATERIALS

- A. Snow guard Block is extruded and milled 6061-T6 and 6005-T5 Aluminum
- B. Snow guard Pad is extruded or milled 5052-H32 Aluminum.
- C. Fasteners are 302 or 304 Stainless Steel.

2.3 FINISH - All materials provided mill finish. Coatings available upon request.

PART 3 - EXECUTION

3.1 EXAMINATION

- A. Substrate: Inspect roof system to be properly attached and installed to withstand additional loading incurred. Notify General Contractor of any deficiencies before installing Alpine SnowGuards.

3.2 INSTALLATION

- A. Comply with architectural drawings for location and with Manufacturer's instructions for installation and recommended layout.

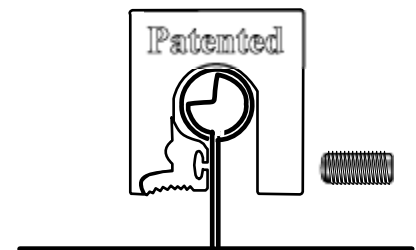
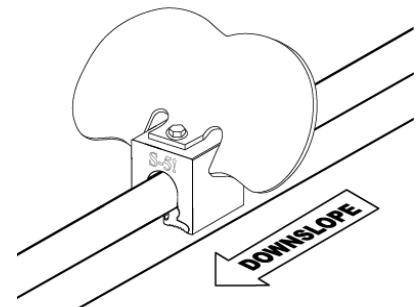
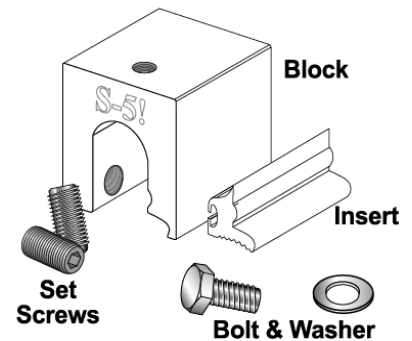
#33 Z (Z2K) Pad-Style Clamp to the Seam Snow Guard for Standing Seam Metal Roofs

Installation Instructions for #33 “Z” or “Z2K” Pad Style Snow Guards

Bracket Installation

Note: #33 snow guards are shipped unassembled, the clamp is to attached to the seam before the flag is mounted.

1. The #33Z (#33Z2K) snow guard fits standing seam roofs with a “zip rib” type seam or rib, see illustration below. The clamp consists of two pieces, to install, place the larger piece of the clamp over the rib, place the insert as shown and tighten the set screws.
2. The clamp should be put on the seam with the top bolt hole towards the bottom of the roof.
3. Position the clamps appropriately on the panel seam. Using a 3/16" allen-wrench attachment tip for a 1/4" drive screw gun, tighten and retighten set screws as the seam material compresses. (These screw gun tips are available from your S-5! product distributor). On low seam profiles, a 4" bit extension on the screw gun will facilitate this work. Most industrial grade screw guns are rated at 115 inch-pounds tightening torque and will deliver between 115 and 150 inch pounds (13-17 Nm) at the *highest torque setting*. Please see ultimate load table on the back of this page or attached page for proper screw tensions and caution notes for various panel seams.
4. **CAUTION:** Battery-operated guns may not deliver consistent screw tension. Drywall guns may not deliver adequate tension.
5. After the clamp has been installed on the seam, attach the flag using the supplied bolt and washer.



S-5! Z Clamp on Tee Seam Standing Seam Roofs

The two supplied set screws are the only fasteners needed. The specially designed rounded tip will “dimple” the roof material to increase its hold, without penetrating it.

The S-5! clamp is a handy gadget for a great many uses, but will not perform miracles. **PLEASE USE THIS PRODUCT RESPONSIBLY!** Any loads imposed on the S-5!clamp will be transferred to the panels. Panels must be adequately attached to building structure to resist these loads. For critical installations, inquire for specific test data of ultimate tensile load on specific panel materials and seam types. When tabled values are used, screw tensions should be verified and factors of safety should be used as appropriate. The manufacturer expresses no opinions as to the suitability of the S-5! for any specific application or project condition.

ALWAYS PROVIDE WORKER FALL PROTECTION WHEN INSTALLING S-5!. THE S-5! CLAMP IS NOT APPROVED FOR USE AS A PERSONAL FALL RESTRAINT DEVICE

Copyright © 2007, Metal Roof Innovations, Ltd.

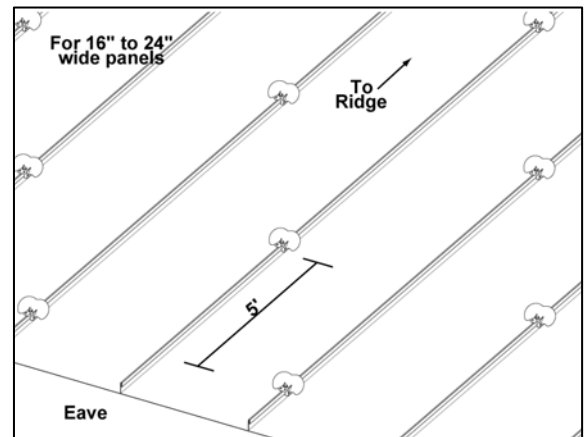
#33 Z (Z2K) Pad-Style Clamp to the Seam Snow Guard for Standing Seam Metal Roofs

For Roofs with a Pitch of 6/12 or Less and a Building Design Load of 75 psf or Less

For 16' to 24" Wide Panels

Starting along the eave above the line of the exterior supporting wall (not on the overhang) install a snow guard on every other seam. Install the next row 5' above the first staggered by one panel – see illustration.

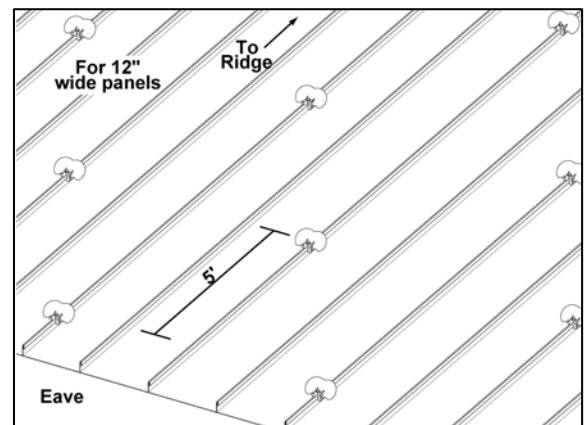
The snow guards should be 32" to 48" on center horizontally and 5' vertically to within 10' of the ridge.



For 12" Wide Panels

Starting along the eave above the line of the exterior supporting wall (not on the overhang) place a snow guard on every 4th seam every 5' up the rafter until you are within 10' of the ridge.

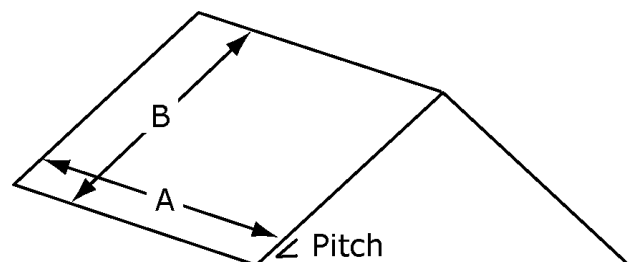
The snow guards should be approximately 48" on center horizontally and 5' vertically to within 10' of the ridge.



For all other roofs or for a detailed recommended layout contact the manufacturer.

Information Required for Layout

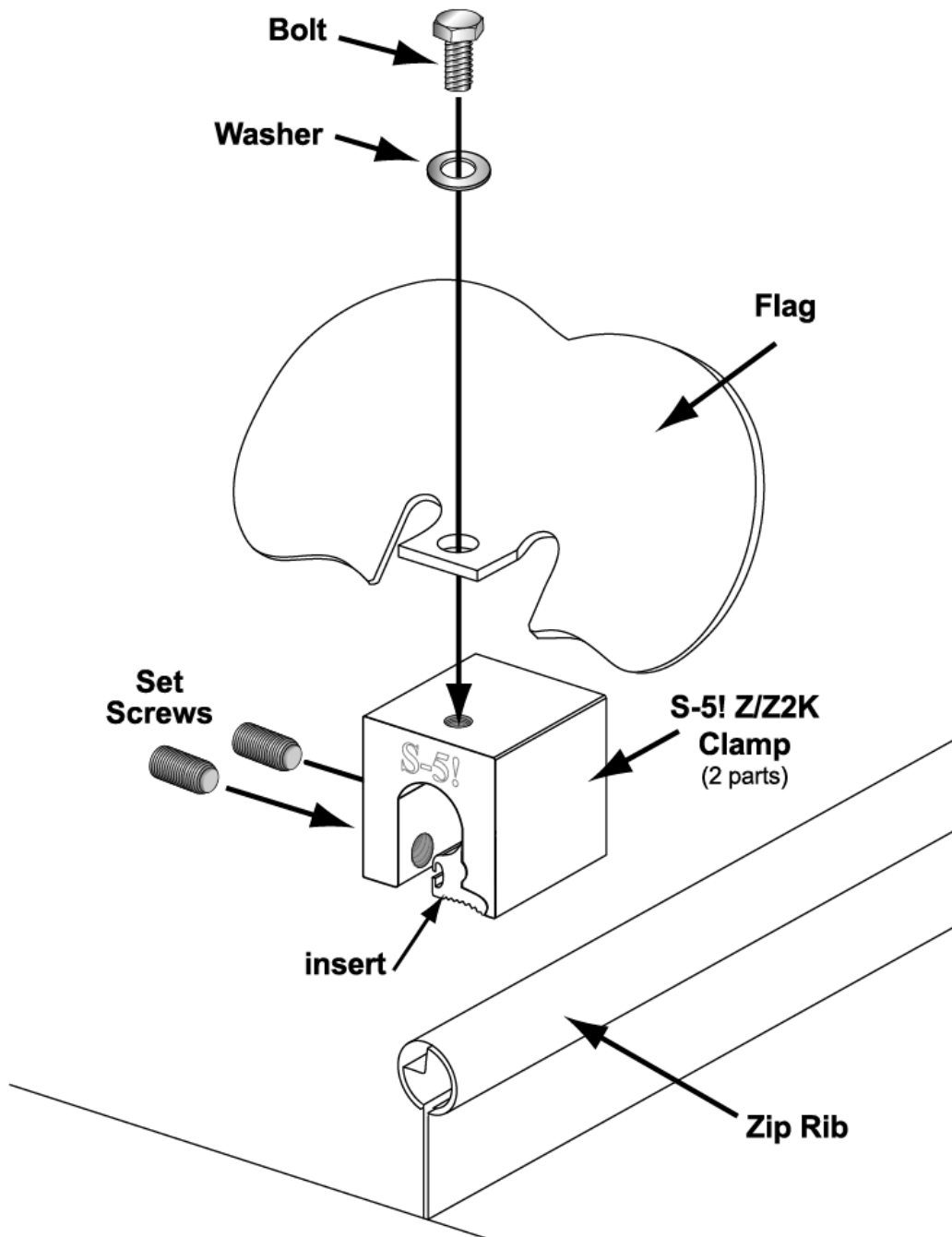
- Length along eave (A)
- Distance eave to peak (B)
- Panel width and seam configuration
- Roof pitch
- Building Design Load (psf)
- Panel manufacturer and model



#33 Z (Z2K) Pad-Style Clamp to the Seam Snow Guard for Standing Seam Metal Roofs



Assembly for #33Z (Z2K) Snow Guard



#33 Z (Z2K) Pad-Style Clamp to the Seam Snow Guard for Standing Seam Metal Roofs