



ALPINE SNOWGUARDS™

www.alpinesnowguards.com

Alpine SnowGuards
289 Harrel Street
Morrisville, VT 05661
Toll Free Phone 1.888.766.4273
Toll Free Fax 1.888.766.9994
Web www.alpinesnowguards.com
E-mail info@alpinesnowguards.com

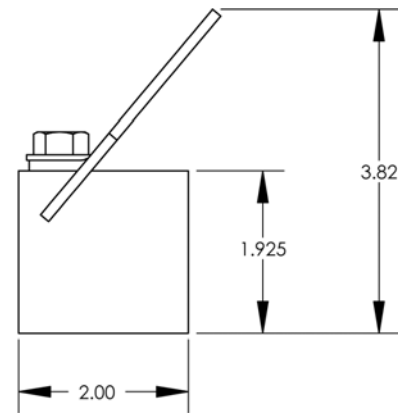
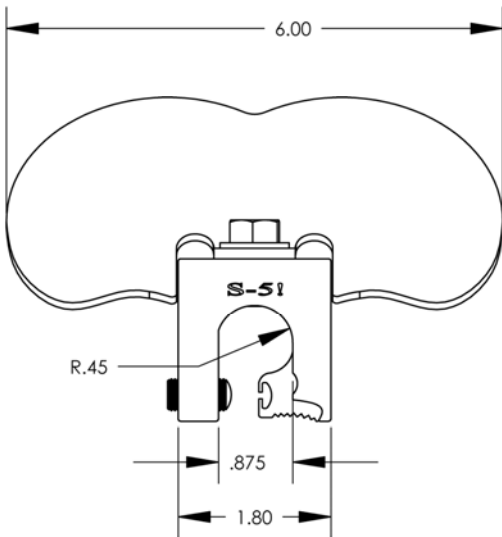
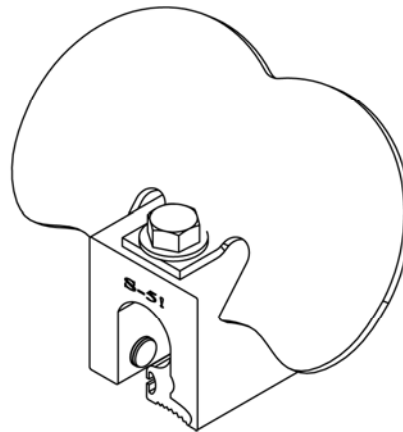
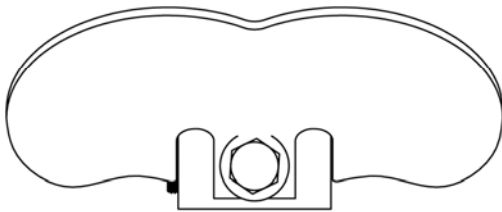
07 52 53 Snow Guards

NOTES:

1. SNOW GUARDS TO BE INSTALLED ACCORDING TO MANUFACTURER'S SPECIFICATIONS.
2. DO NOT SCALE DRAWINGS.
3. CONTACT MANUFACTURER FOR CUSTOM MATERIALS AND COLORS.
4. CONTACT MANUFACTURER FOR SUGGESTED LAYOUT.

REVISIONS		
REV.	DESCRIPTION	DATE

- MATERIAL
 ALUMINUM



Sign here to show that you verify that this snow guard will fit the seam for this project. Signature is **required**. Verify visually with this cut sheet or request a sample.

Signature: _____

Date: _____

#33 Z (Z2K) Pad-Style Clamp to the Seam Snow Guard for Standing Seam Metal Roofs