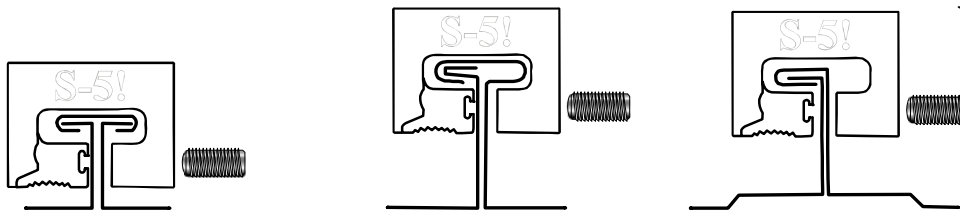
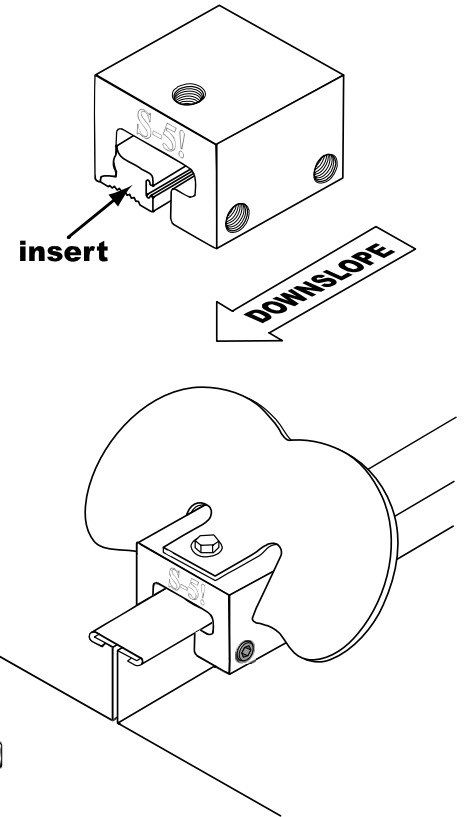


## Installation Instructions for #33-T2K™ Pad Style Snow Guards

### Bracket Installation

*Note: #33 snow guards are shipped unassembled, the clamp is to be attached to the seam before the flag is mounted.*

1. The #33-T2K snow guard fits standing seam roofs with a “T” type seam or rib, see illustration below. The clamp consists of two pieces, to install, place the larger piece of the clamp over the rib, place the insert as shown and tighten the set screws.
2. The clamp should be put on the seam with the top bolt hole towards the bottom of the roof.
3. Position the clamps appropriately on the panel seam. Using a 3/16" allen-wrench attachment tip for a 1/4" drive screw gun, tighten and retighten set screws as the seam material compresses. (These screw gun tips are available from your S-5! product distributor). On low seam profiles, a 4" bit extension on the screw gun will facilitate this work. Most industrial grade screw guns are rated at 115 inch-pounds tightening torque and will deliver between 115 and 150 inch pounds (13-17 Nm) at the *highest torque setting*. Please see ultimate load table on the back of this page or attached page for proper screw tensions and caution notes for various panel seams.
4. **CAUTION:** Battery-operated guns may not deliver consistent screw tension. Drywall guns may not deliver adequate tension.
5. After the clamp has been installed on the seam, attach the flag using the supplied bolt and washer.



### S-5! T2K Clamp on Tee Seam Standing Seam Roofs

The two supplied set screws are the only fasteners needed. The specially designed rounded tip will “dimple” the roof material to increase its hold, without penetrating it.



The S-5! clamp is a handy gadget for a great many uses, but will not perform miracles. **PLEASE USE THIS PRODUCT RESPONSIBLY!** Any loads imposed on the S-5! clamp will be transferred to the panels. Panels must be adequately attached to building structure to resist these loads. For critical installations, inquire for specific test data of ultimate tensile load on specific panel materials and seam types. When tabled values are used, screw tensions should be verified and factors of safety should be used as appropriate. The manufacturer expresses no opinions as to the suitability of the S-5! for any specific application or project condition.

**ALWAYS PROVIDE WORKER FALL PROTECTION WHEN INSTALLING S-5!. THE S-5! CLAMP IS NOT APPROVED FOR USE AS A PERSONAL FALL RESTRAINT DEVICE**

Copyright © 2007, Metal Roof Innovations, Ltd.

### #33-T2K Pad-Style Clamp to the Seam Snow Guard for Standing Seam Metal Roofs

## Layout and Spacing for #33-T2K Snow Guards

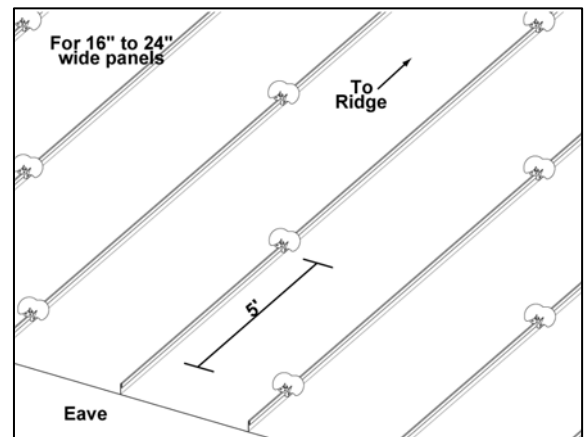
The #33-T2K is for standing seam metal roofs with a “Tee” type seam and for single lock seams with a horizontal extension of ½” or less.

### For Roofs with a Pitch of 6/12 or Less and a Building Design Load of 75 psf or Less

#### For 16’ to 24” Wide Panels

Starting along the eave above the line of the exterior supporting wall (not on the overhang) install a snow guard on every other seam. Install the next row 5’ above the first staggered by one panel – see illustration.

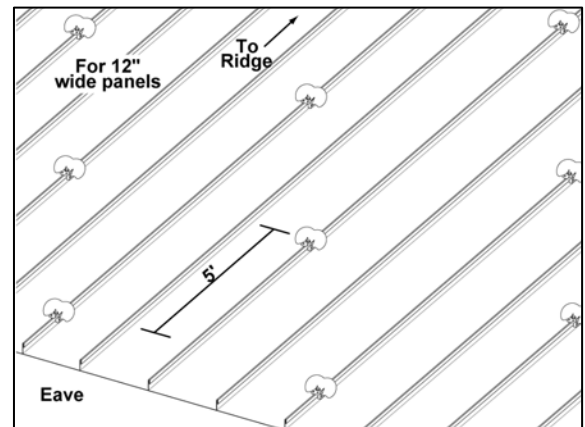
The snow guards should be 32” to 48” on center horizontally and 5’ vertically to within 10’ of the ridge.



#### For 12” Wide Panels

Starting along the eave above the line of the exterior supporting wall (not on the overhang) place a snow guard on every 4<sup>th</sup> seam every 5’ up the rafter until you are within 10’ of the ridge.

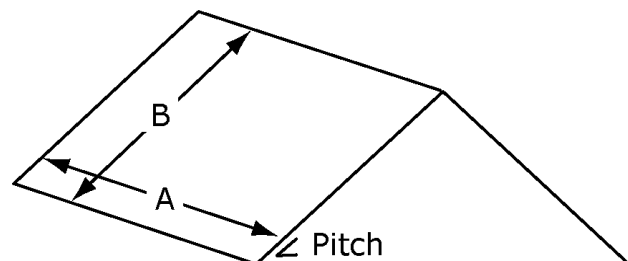
The snow guards should be approximately 48” on center horizontally and 5’ vertically to within 10’ of the ridge.



**For all other roofs or for a detailed recommended layout contact the manufacturer.**

#### Information Required for Layout

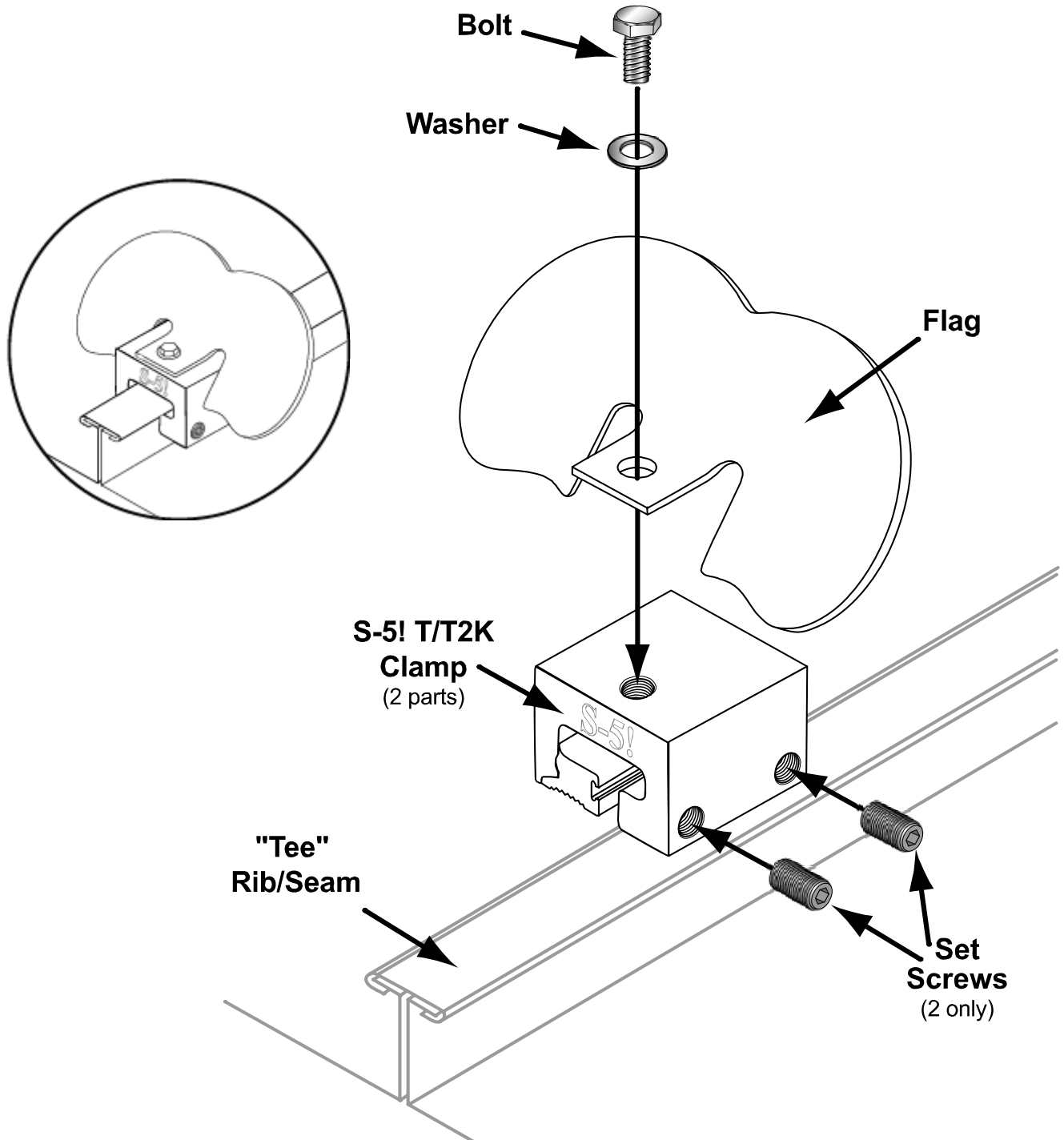
- Length along eave (A)
- Distance eave to peak (B)
- Panel width and seam configuration
- Roof pitch
- Building Design Load (psf)
- Panel manufacturer and model



### #33-T2K Pad-Style Clamp to the Seam Snow Guard for Standing Seam Metal Roofs



**Assembly for #33T (T2K) Snow Guard**



**#33-T2K Pad-Style Clamp to the Seam Snow Guard for Standing Seam Metal Roofs**