



ALPINE SNOWGUARDS™

www.alpinesnowguards.com

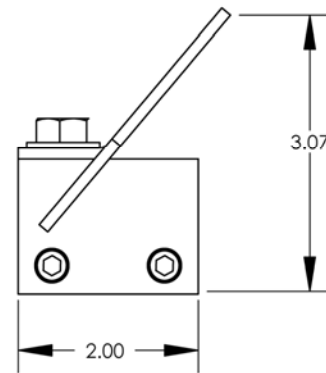
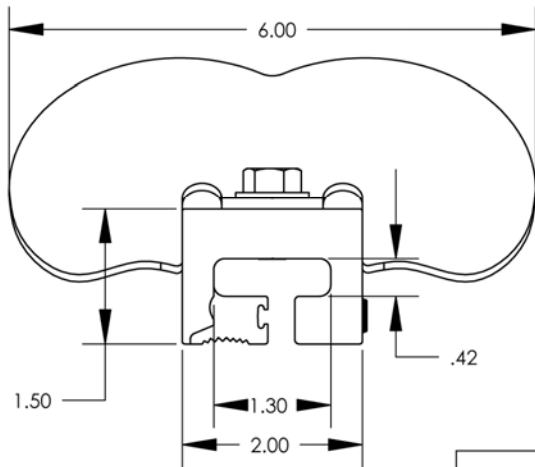
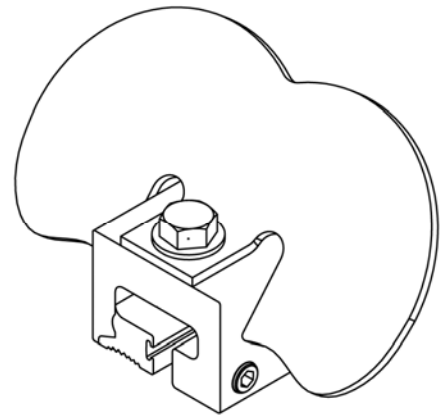
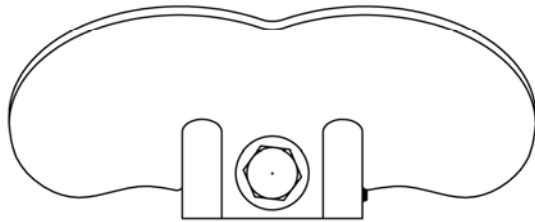
Alpine SnowGuards
 289 Harrel Street
 Morrisville, VT 05661
 Toll Free Phone 1.888.766.4273
 Toll Free Fax 1.888.766.9994
 Web www.alpinesnowguards.com
 E-mail info@alpinesnowguards.com

07 52 53 Snow Guards

NOTES:

1. SNOW GUARDS TO BE INSTALLED ACCORDING TO MANUFACTURER'S SPECIFICATIONS.
2. DO NOT SCALE DRAWINGS.
3. CONTACT MANUFACTURER FOR CUSTOM MATERIALS AND COLORS.
4. CONTACT MANUFACTURER FOR SUGGESTED LAYOUT.

REVISIONS		
REV.	DESCRIPTION	DATE
	<input checked="" type="checkbox"/> MATERIAL	
	<input type="checkbox"/> ALUMINUM	



I have verified that this clamp/bracket will fit the seam for this project.

Project Name: _____

Signature: _____ Date: _____

#33-T2K Pad-Style Clamp to the Seam Snow Guard for Standing Seam Metal Roofs