



**ALPINE
SNOWGUARDS™**
www.alpinesnowguards.com

Alpine SnowGuards
289 Harrel Street
Morrisville, VT 05661
Toll Free Phone 1.888.766.4273
Toll Free Fax 1.888.766.9994
Web www.alpinesnowguards.com
E-mail info@alpinesnowguards.com

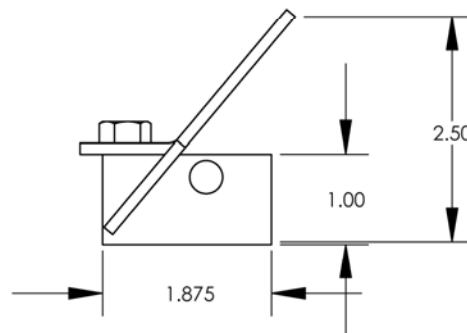
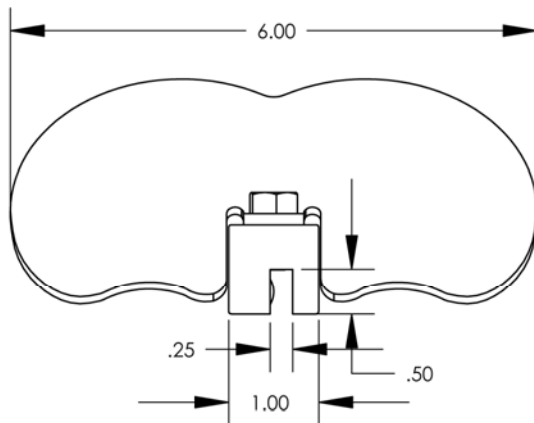
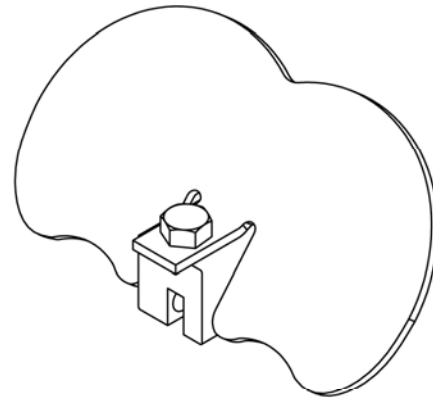
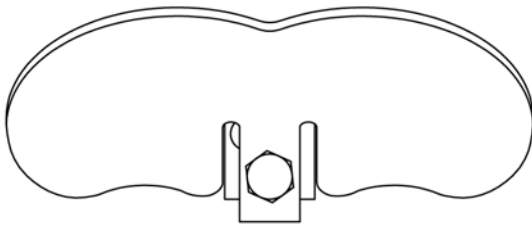
07 52 53 Snow Guards

NOTES:

1. SNOW GUARDS TO BE INSTALLED ACCORDING TO MANUFACTURER'S SPECIFICATIONS.
2. DO NOT SCALE DRAWINGS.
3. CONTACT MANUFACTURER FOR CUSTOM MATERIALS AND COLORS.
4. CONTACT MANUFACTURER FOR SUGGESTED LAYOUT.

REVISIONS		
REV.	DESCRIPTION	DATE

MATERIAL
 BRASS



#33B Brass Pad-Style Clamp to the Seam Snow Guard for Standing Seam Metal Roofs

#33B Snow Guard Specification Sheet

PART 1 - GENERAL

1.1 SUMMARY

A. WORK INCLUDES

1. #33 Snow guard that does not penetrate the roof by using S-5! Technology.
2. Provide appropriate snow guard and fasteners for the roof system.

B. RELATED SECTIONS

1. Section 07600: Flashing and Sheet Metal. MasterFormat™ 2004 07 60 00
2. Section 07610: Metal Roofing MasterFormat™ 2004 07 61 00
3. Division 7: Thermal and Moisture Protection.

1.2 SYSTEM DESCRIPTION

A. COMPONENTS:

1. #33 Snow guard system consists of snow guard block with bolt, washer, pad assembly and set screws.

B. DESIGN REQUIREMENTS:

1. Spacing to be recommended by manufacturer or building engineer.
2. 2 set screws per snow guard.
3. It is important to design new structures or assess existing structures to make sure that they can withstand retained snow loads.

1.3 SUBMITTAL - Submit manufacturer's specifications, standard detail drawings, recommended layout and installation instructions.

1.4 QUALITY ASSURANCE - Installer to be experienced in the installation of specified roofing material and snow guards for not less than 5 years in the area of the project.

1.5 DELIVERY / STORAGE / HANDLING - Inspect material upon delivery and order replacements for any missing or defective items. Keep material dry, covered and off the ground until installed.

PART 2 - PRODUCTS

2.1 MANUFACTURER

- A. Alpine SnowGuards. A division of Vermont Slate & Copper Services Inc., 289 Harrell St, Morrisville, VT (888) 766-4273.

2.2 MATERIALS

- A. Snow guard Block is extruded and milled and red brass, Copper UNS Alloy No. C23000.
- B. Snow guard Pad is extruded or milled 260 Brass.
- C. Set screws are 300 Series stainless steel, 18-8 alloy, 3/8 inch diameter, with round nose point 2.3
- D. 5/16" bolt and washer are 304 stainless steel.

2.3 FINISH - All materials provided mill finish

PART 3 - EXECUTION

3.1 EXAMINATION

- A. Substrate: Inspect roof system to be properly attached and installed to withstand additional loading incurred. Notify General Contractor of any deficiencies before installing Alpine SnowGuards.

3.2 INSTALLATION

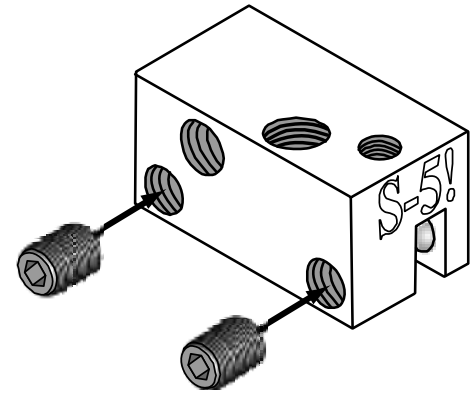
- A. Comply with architectural drawings for location and with Manufacturer's instructions for installation and recommended layout.

#33B Brass Pad-Style Clamp to the Seam Snow Guard for Standing Seam Metal Roofs

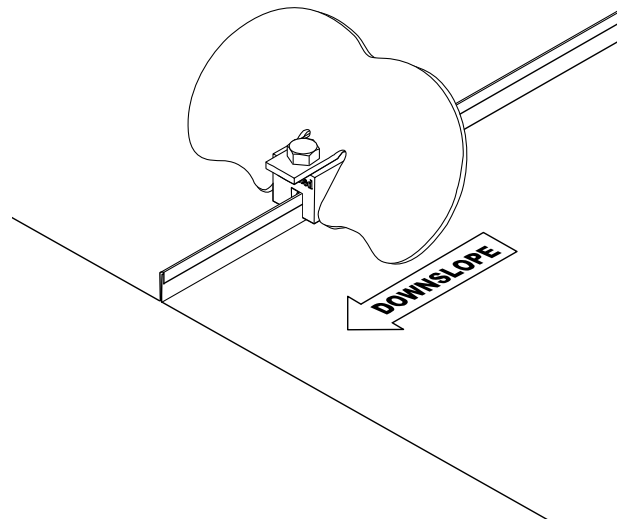
Installation Instructions for #33B Pad Style Snow Guards

Bracket Installation

Note: #33B snow guards are shipped unassembled; the clamp is attached to the seam before the pad/flag is mounted. These clamps fit traditional standing seam profiles with a finished seam dimension of .25" or less. The S-5! B clamp is made for copper roofing, it may also be used on lead coated copper, stainless steel or Terne Coated Stainless. It should not be used on aluminum, zinc or carbon coated steel.



1. Snap a line across the roof at the desired location. The first row of snow guards should be placed above the line of the exterior supporting wall.
2. Put the set screws into the clamp as shown in the illustration to the right.
3. Position the clamps appropriately on the panel seam. Using a 3/16" allen-wrench attachment tip for a 1/4" drive screw gun, tighten and retighten set screws as the seam material compresses. (These screw gun tips are available from your S-5! product distributor). On low seam profiles, a 4" bit extension on the screw gun will facilitate this work. Most industrial grade screw guns are rated at 115 inch-pounds tightening torque and will deliver between 115 and 150 inch pounds (13-17 Nm) at the *highest torque setting*. Please see ultimate load table on the back of this page or attached page for proper screw tensions and caution notes for various panel seams.
4. **CAUTION:** Battery-operated guns may not deliver consistent screw tension. Drywall guns may not deliver adequate tension.
5. Attach the flag/pad as shown, using the supplied 5/16" bolt.
6. Note: the bolt is stainless steel.



The S-5! clamp is a handy gadget for a great many uses, but will not perform miracles. **PLEASE USE THIS PRODUCT RESPONSIBLY!** Any loads imposed on the S-5! clamp will be transferred to the panels. Panels must be adequately attached to building structure to resist these loads. For critical installations, inquire for specific test data of ultimate tensile load on specific panel materials and seam types. When tabled values are used, screw tensions should be verified and factors of safety should be used as appropriate. The manufacturer expresses no opinions as to the suitability of the S-5! for any specific application or project condition.
ALWAYS PROVIDE WORKER FALL PROTECTION WHEN INSTALLING S-5!. THE S-5! CLAMP IS NOT APPROVED FOR USE AS A PERSONAL FALL RESTRAINT DEVICE
Copyright © 2007, Metal Roof Innovations, Ltd.

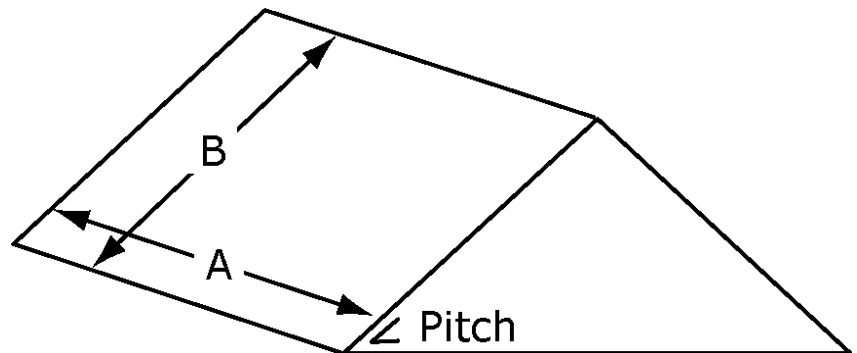
#33B Brass Pad-Style Clamp to the Seam Snow Guard for Standing Seam Metal Roofs

Layout and Spacing for #33B Pad Style Snow Guards

Contact the Manufacturer for a detailed recommended layout, or visit www.alpinesnowguards.com for to request a layout online.

Information Required for Layout

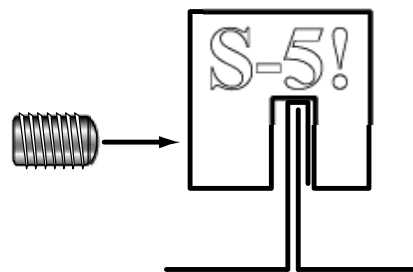
- Length along eave (A)
- Distance eave to peak (B)
- Panel width and seam configuration
- Roof pitch
- Building Design Load (psf)
- Panel manufacturer and model



Orientation on the Seam

The S-5! B clamp for the #33B snow guard is designed for copper and lead coated copper roof with standard double-lock seams. It may also be used on stainless steel and Terne Conated Steel roofs. It is not recommended for aluminum, zinc or carbon steel roofs.

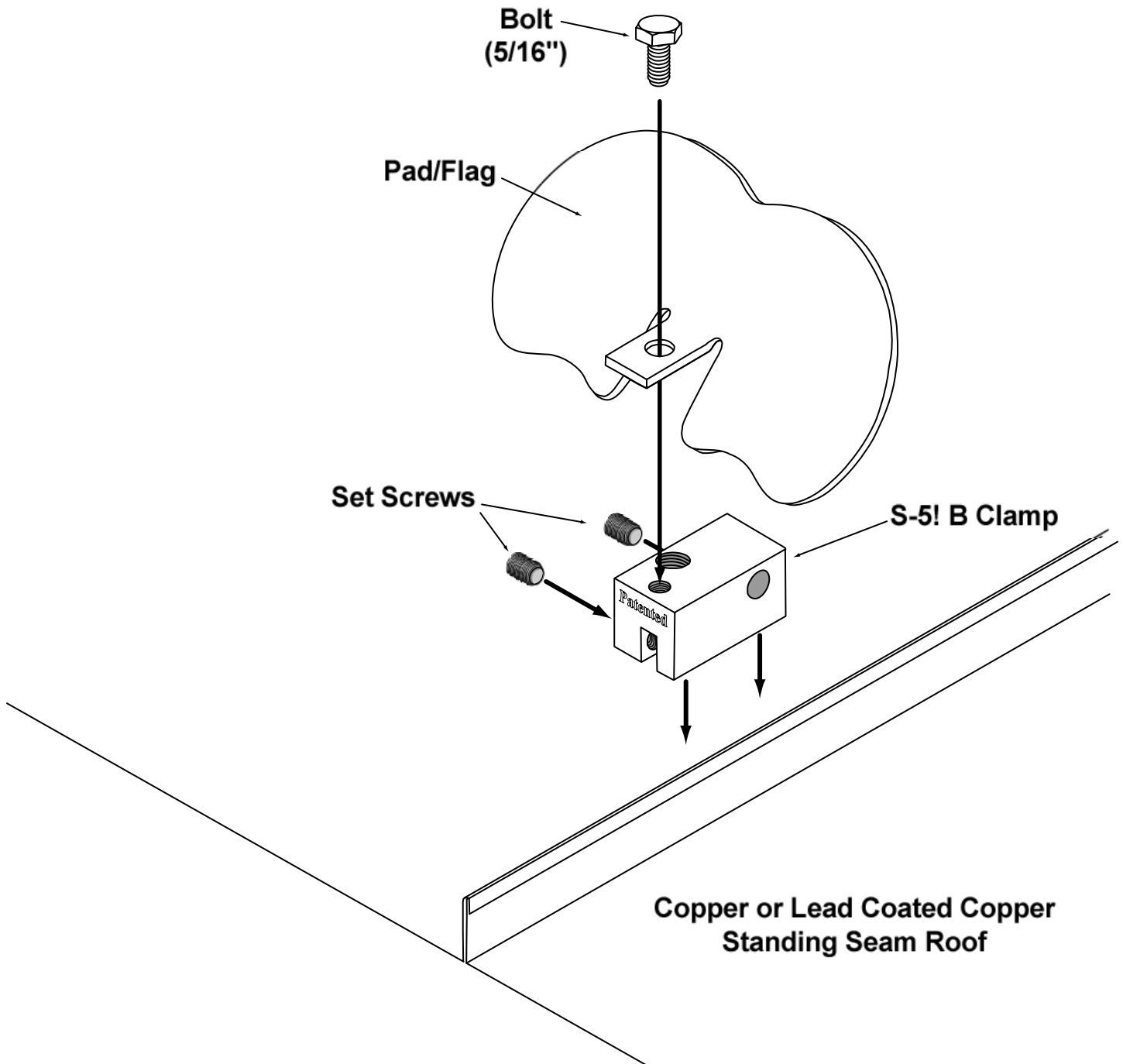
Contact the manufacturer for recommended layout.



#33B Brass Pad-Style Clamp to the Seam Snow Guard for Standing Seam Metal Roofs



Assembly for #33B Snow Guard



#33B Brass Pad-Style Clamp to the Seam Snow Guard for Standing Seam Metal Roofs