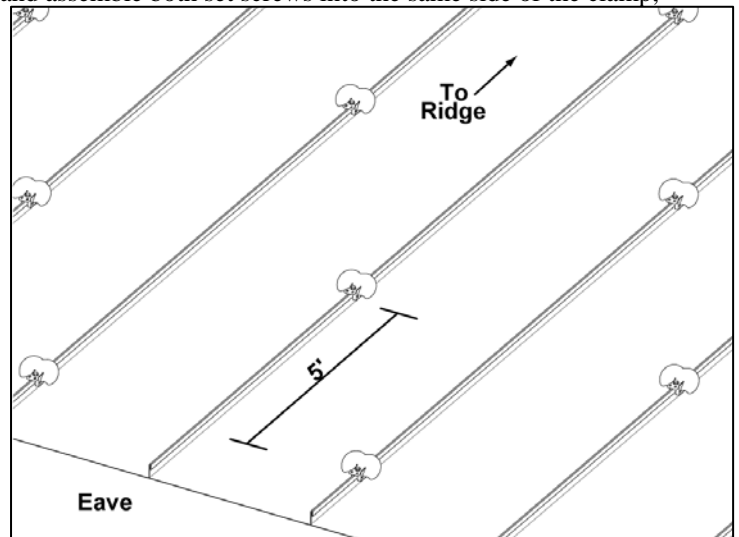
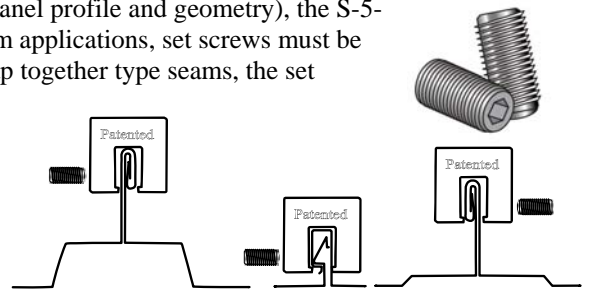


## Installation Instructions for #33 “U” Pad Style Snow Guards

### Bracket Installation

*Note: #33 snow guards are shipped unassembled; the clamp is to be attached to the seam before the flag is mounted.*

1. When attaching clamps to seams which are machine folded (regardless of panel profile and geometry), the S-5-U clamp is designed to engage the seam as shown ("d"). For horizontal seam applications, set screws must be accessible from the top for tightening (see #33T instructions). On many snap together type seams, the set screws are opposite the open, or overlap side of the seam ("b"). On some type panel seams, this aspect of clamp orientation is not critical ("c").
2. **BOTH SCREWS SHOULD BE IN THE SAME SIDE OF THE CLAMP; USE ONLY TWO SET SCREWS PER CLAMP.**
3. NOTE: Some horizontal seams may require additional hand crimping at the clamp location. Consult your S-5! distributor for crimping tool information.
4. Determine which side of the clamp to load the set screws into, and assemble both set screws into the same side of the clamp, being careful that the bolt hole will be in the desired (upslope or down slope) orientation, with the set screws on the correct side of the seam.
5. NOTE: S-5-U has four set screw holes to make the clamp more versatile. Use only two per clamp.
6. Position the clamps appropriately on the panel seam. Using a 3/16" allen-wrench attachment tip for a 1/4" drive screw gun, tighten and retighten set screws as the seam material compresses. (These screw gun tips are available from your S-5! product distributor). On low seam profiles, a 4" bit extension on the screw gun will facilitate this work. Most industrial grade screw guns are rated at 115 inch-pounds tightening torque and will deliver between 115 and 150 inch pounds (13-17 Nm) at the *highest torque setting*. Please see ultimate load table on the back of this page or attached page for proper screw tensions and caution notes for various panel seams.
7. **CAUTION:** Battery-operated guns may not deliver consistent screw tension. Drywall guns may not deliver adequate tension.



The S-5! clamp is a handy gadget for a great many uses, but will not perform miracles. **PLEASE USE THIS PRODUCT RESPONSIBLY!** Any loads imposed on the S-5! clamp will be transferred to the panels. Panels must be adequately attached to building structure to resist these loads. For critical installations, inquire for specific test data of ultimate tensile load on specific panel materials and seam types. When tabled values are used, screw tensions should be verified and factors of safety should be used as appropriate. The manufacturer expresses no opinions as to the suitability of the S-5! for any specific application or project condition.  
**ALWAYS PROVIDE WORKER FALL PROTECTION WHEN INSTALLING S-5!. THE S-5! CLAMP IS NOT APPROVED FOR USE AS A PERSONAL FALL RESTRAINT DEVICE**  
Copyright © 2007, Metal Roof Innovations, Ltd.

## #33 “U” Pad-Style Clamp to the Seam Snow Guard for Standing Seam Metal Roofs

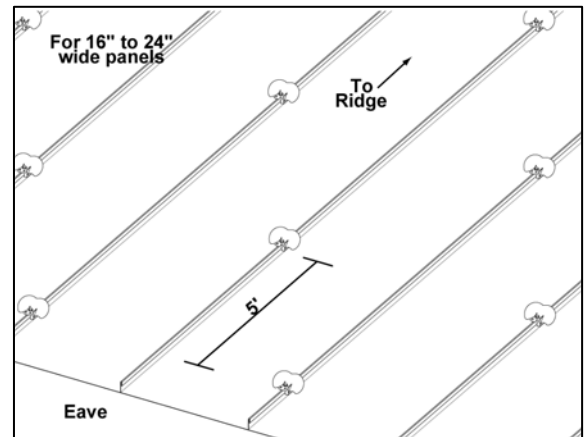
## Layout and Spacing for #33 Pad Style Snow Guards

### For Roofs with a Pitch of 6/12 or Less and a Building Design Load of 75 psf or Less

#### For 16' to 24" Wide Panels

Starting along the eave above the line of the exterior supporting wall (not on the overhang) install a snow guard on every other seam. Install the next row 5' above the first staggered by one panel – see illustration.

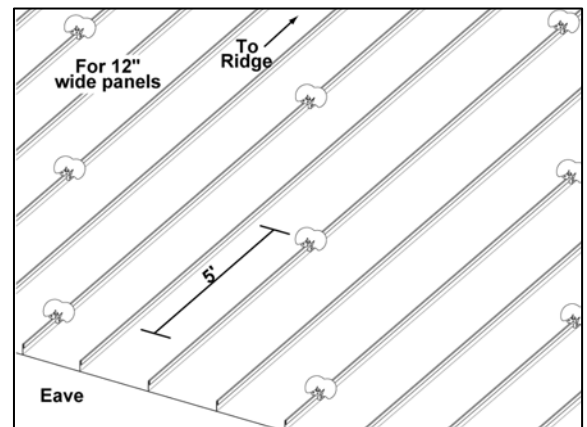
The snow guards should be 32" to 48" on center horizontally and 5' vertically to within 10' of the ridge.



#### For 12" Wide Panels

Starting along the eave above the line of the exterior supporting wall (not on the overhang) place a snow guard on every 4<sup>th</sup> seam every 5' up the rafter until you are within 10' of the ridge.

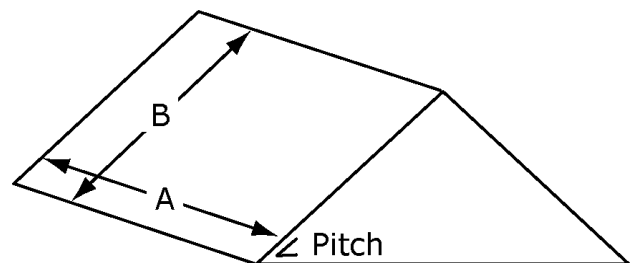
The snow guards should be approximately 48" on center horizontally and 5' vertically to within 10' of the ridge.



**For all other roofs or for a detailed recommended layout contact the manufacturer.**

#### Information Required for Layout

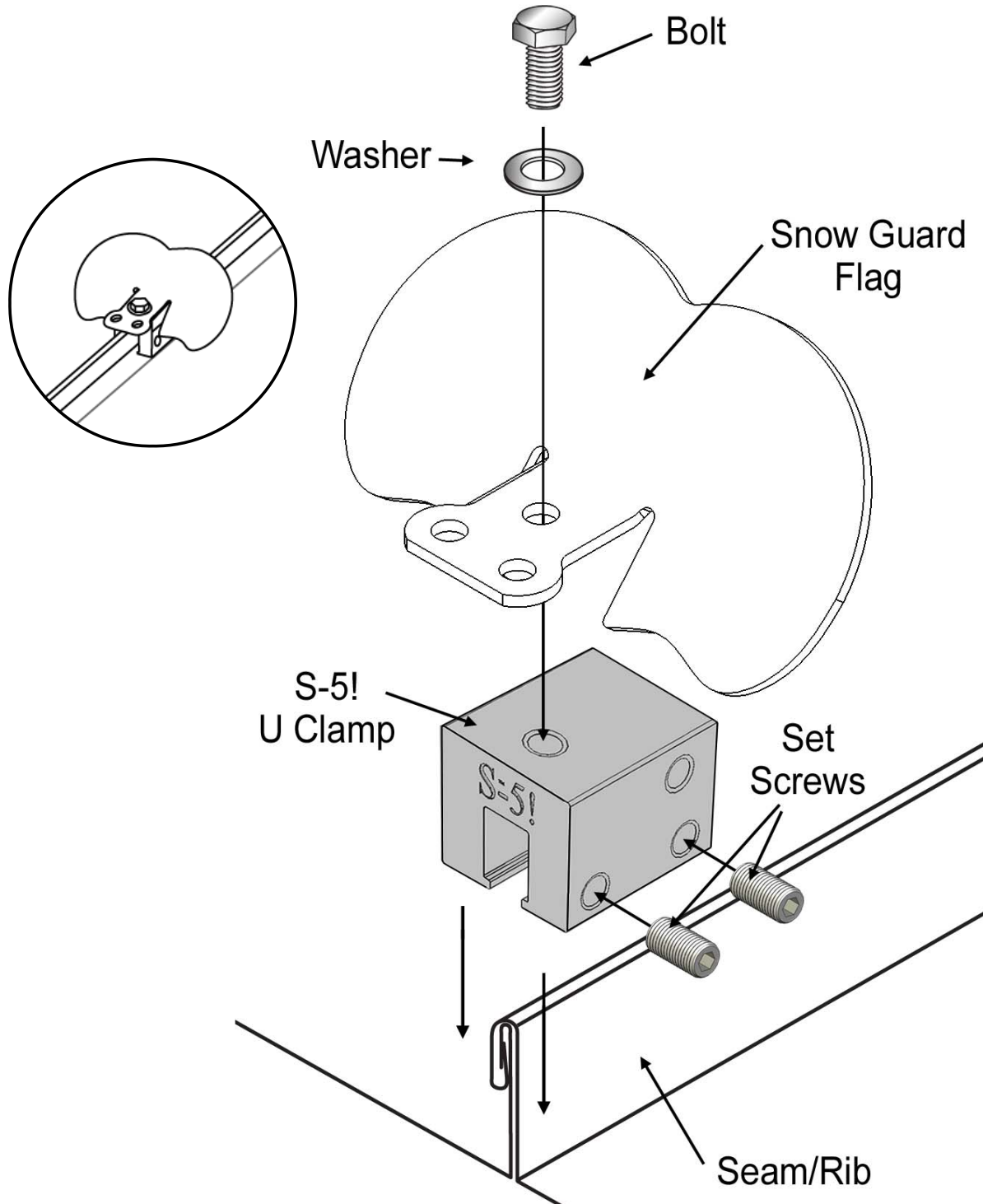
- Length along eave (A)
- Distance eave to peak (B)
- Panel width and seam configuration
- Roof pitch
- Building Design Load (psf)
- Panel manufacturer and model



### #33 "U" Pad-Style Clamp to the Seam Snow Guard for Standing Seam Metal Roofs



**Assembly for #33 Snow Guard**



**#33 "U" Pad-Style Clamp to the Seam Snow Guard for Standing Seam Metal Roofs**