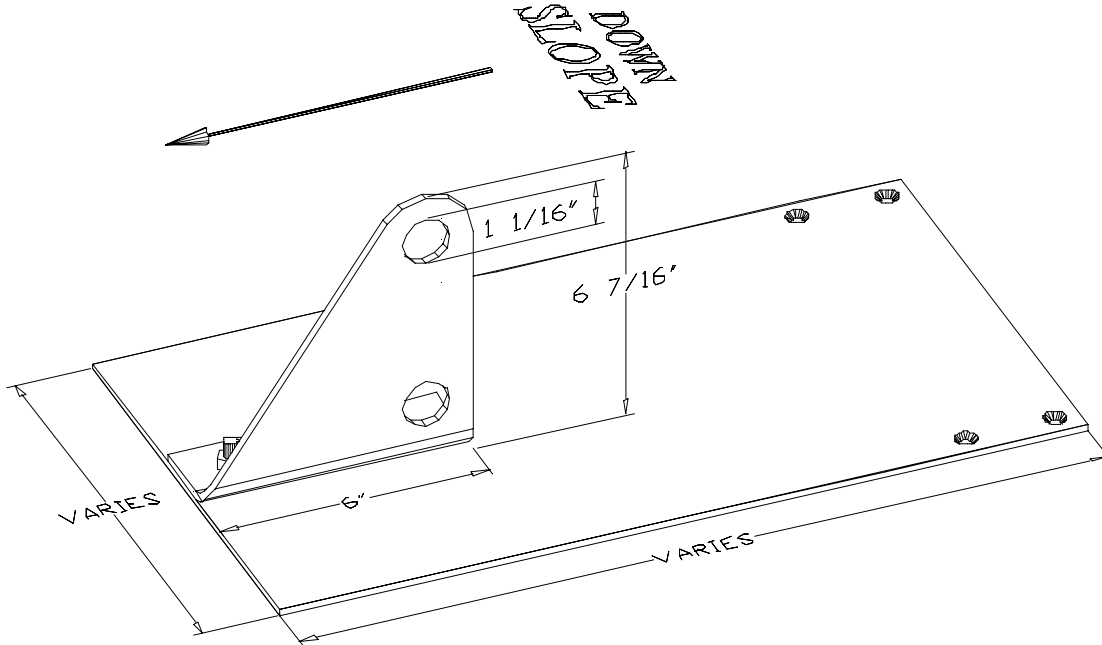




ALPINE SNOWGUARDS

A Division of Vermont Slate & Copper Services, Inc.

Web www.alpinesnowguards.com
E-mail info@alpinesnowguards.com
Toll Free Phone 1.888.766.4273
Toll Free Fax 1.888.766.9994
289 Harrell Street, Morrisville, VT 05661



#325 Custom 2-pipe Snowguard Bracket

for Slate, Synthetic Slate, Flat Tile, Cedar Shingles and Composition Shingles

Available in brass with a brass base plate or aluminum with a stainless steel base plate
Base plate manufactured to match the size of the tile being used

Document version 08.02.2004