



ALPINE SNOWGUARDS™

www.alpinesnowguards.com

Alpine SnowGuards
289 Harrel Street
Morrisville, VT 05661
Toll Free Phone 1.888.766.4273
Toll Free Fax 1.888.766.9994
Web www.alpinesnowguards.com
E-mail info@alpinesnowguards.com

07 52 53 Snow Guards

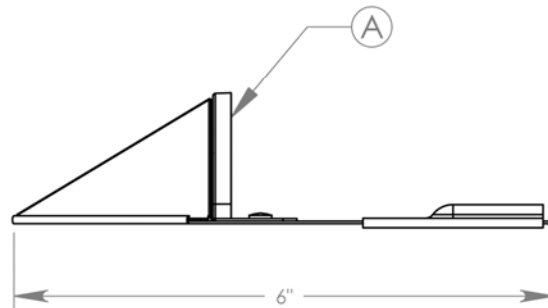
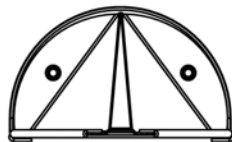
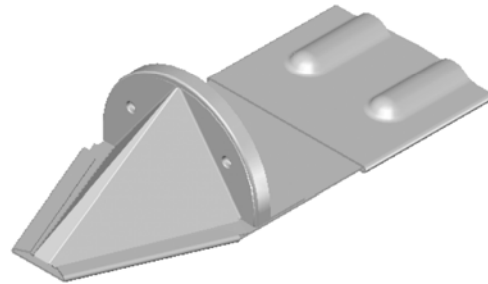
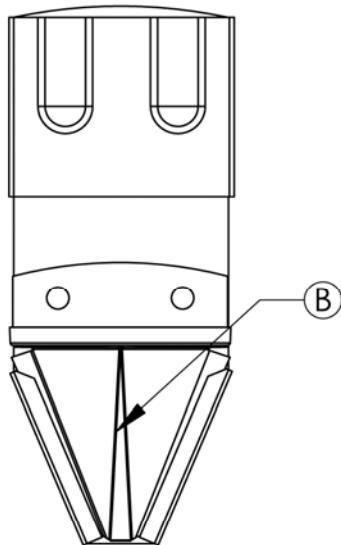
NOTES:

1. SNOW GUARDS TO BE INSTALLED ACCORDING TO MANUFACTURER'S SPECIFICATIONS.
2. DO NOT SCALE DRAWINGS.
3. CONTACT MANUFACTURER FOR CUSTOM MATERIALS AND COLORS.
4. CONTACT MANUFACTURER FOR SUGGESTED LAYOUT.

REVISIONS		
REV.	DESCRIPTION	DATE
A	RVERSE CAP DIRECTION	1/1/06
B	NEW GUSSET DESIGN	6/19/2006

MATERIAL

- | | |
|---------------------------------------------|---------------------------------------|
| <input type="checkbox"/> COPPER | <input type="checkbox"/> FREEDOM GRAY |
| <input type="checkbox"/> ZINC | <input type="checkbox"/> GALVALUME |
| <input type="checkbox"/> LEAD-COATED COPPER | <input type="checkbox"/> POWDER COAT |
| <input type="checkbox"/> COPPER | <input type="checkbox"/> MILL FINISH |
| <input type="checkbox"/> ALUMINUM | |
| <input type="checkbox"/> POWDER COAT | |
| <input type="checkbox"/> PAINTED | |
| <input type="checkbox"/> MILL FINISH | |



#30Z Half-Round Pad-Style Snow Guard for Metal Shingle Roofs