

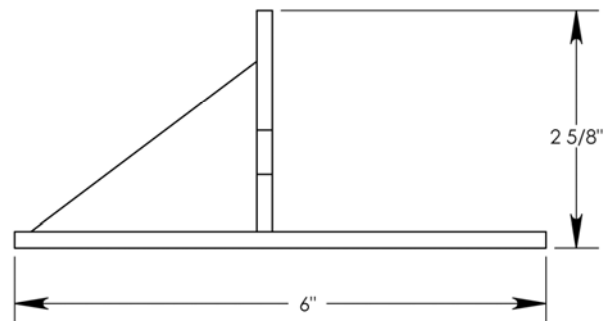
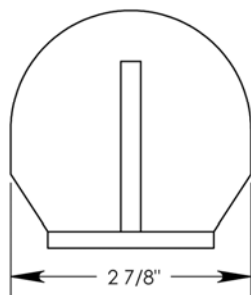
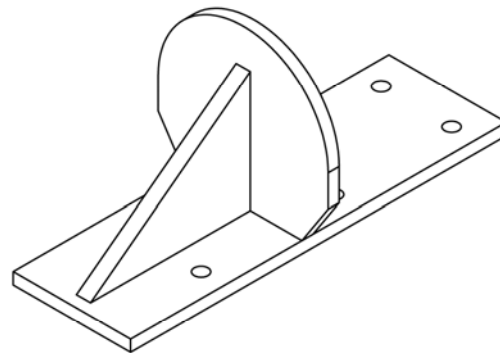
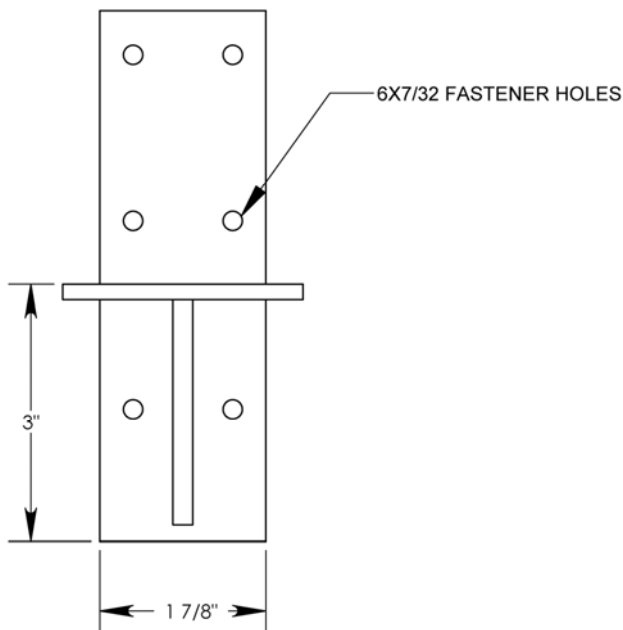


## #30CL Polycarbonate Half-Round Pad-Style Snow Guard for Metal Roofs

### NOTES:

1. SNOW GUARDS TO BE INSTALLED ACCORDING TO MANUFACTURER'S SPECIFICATIONS.
2. DO NOT SCALE DRAWINGS.
3. ATTACHMENT METHODS: ADHERING (DURASIL ADHESIVE), THROUGH-FASTENING.
4. CONTACT MANUFACTURER FOR SUGGESTED LAYOUT.

REVISIONS		
REV.	DESCRIPTION	DATE



## #30CL Polycarbonate Half-Round Pad-Style Snow Guard for Metal Roofs

## Alpine SnowGuards™ #30CL Snow Guard Specification Sheet

### PART 1 - GENERAL

#### 1.1 SUMMARY

##### A. WORK INCLUDES

1. #30CL Snow Guard that attaches directly to the roof deck.
2. Coordinate with the installation of the roof to assure proper placement of the snow guards.
3. Provide appropriate snow guard and fasteners for the roof system.

##### B. RELATED SECTIONS

1. Section 07600: Flashing and Sheet Metal MasterFormat™ 2004 07 60 00
2. Section 07610: Metal Roofing MasterFormat™ 2004 07 61 00
3. Division 7: Thermal and Moisture Protection.

#### 1.2 SYSTEM DESCRIPTION

##### A. COMPONENTS:

1. #30CL Snow guard system consists of individual polycarbonate snow guards.
2. Fasteners
  - a. Can be adhered with adhesive caulking.
  - b. Can be fastened using acceptable through fasteners.
  - c. All snow guards should be fastened using good fastening or adhering techniques.

##### B. DESIGN REQUIREMENTS:

1. Spacing to be recommended by manufacturer or building engineer.
2. Minimum 2 fasteners per snow guard or proper adhesive with proper cure time.
3. It is important to design new structures or assess existing structures to make sure that they can withstand retained snow loads.

#### 1.3 SUBMITTAL

- A. Submit manufacturer's specifications, standard detail drawings, recommended layout and installation instructions.

#### 1.4 QUALITY ASSURANCE

- A. Installer to be experienced in the installation of specified roofing material and snow guards for not less than 5 years in the area of the project.

#### 1.5 DELIVERY / STORAGE / HANDLING

- A. Inspect material upon delivery and order replacements for any missing or defective items. Keep material dry, covered and off the ground until installed.

### PART 2 – PRODUCTS

#### 2.1 MANUFACTURER

- A. Alpine SnowGuards. A division of Vermont Slate & Copper Services Inc., 289 Harrell St, Morrisville, VT (888) 766-4273, www.alpinesnowguards.com.

#### 2.2 MATERIALS (choose one)

- A. Clear, UV stabilized polycarbonate.

---

## #30CL Polycarbonate Half-Round Pad-Style Snow Guard for Metal Roofs

**2.3 FINISH**

- B. Mill finish.

**PART 3 - EXECUTION**

**3.1 EXAMINATION**

- A. Substrate: Inspect roof system to be properly attached and installed to withstand additional loading incurred. Notify General Contractor of any deficiencies before installing Alpine SnowGuards.

**3.2 INSTALLATION**

- A. Comply with architectural drawings for location and with Manufacturer's instructions for recommended layout and installation.

---

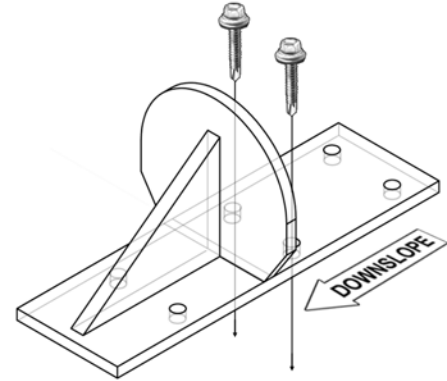
**#30CL Polycarbonate Half-Round Pad-Style Snow Guard for Metal Roofs**

## Installation Instructions for #30CL Snow Guards

Contact the manufacturer for project specific recommended layouts.

**To mechanically fasten onto the roof** (recommended for painted and mill finish aluminum and Galvalume®):

1. Determine where on the panel the snow guard is to be set.
2. Use an appropriate waterproofing sealant under the snow guard.
3. Place two of the appropriate fasteners through the snow guard, through the roof panel and into the roof structure.



### **Using Alpine Snow Guard Adhesive**

1. The roof panel and snow guard should be clean and free from dust or grit and wiped with isopropyl alcohol.
2. Follow the instructions on the **Adhesive Installation Instructions for #30 Snow Guards** from Alpine SnowGuards.

### **To glue onto the roof with adhesive caulking: (DuraSil)**

1. Prepare the area where the snow guard is to be installed in accordance with the adhesive manufacturer's published instructions. (Clean the roof with Isopropyl Alcohol.)
2. Scuff the back of the snow guard with 80 grit sand paper until all gloss is removed.
3. Apply a thin film of adhesive caulking (3 mil.) to the back of the snow guard.
4. Place snow guard on panel and apply pressure. Tool off excess adhesive from around the snow guard and from the top of the snow guard.
5. See adhesive manufacturer's instructions for curing periods.
6. Alpine does not warrant the use of DuraSil adhesives for installing snow guards.

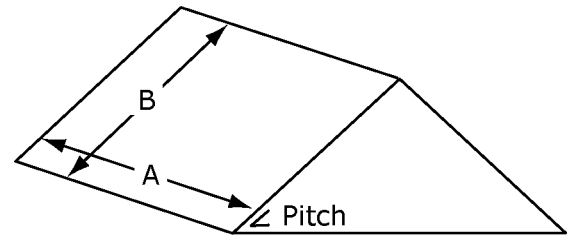
---

## #30CL Polycarbonate Half-Round Pad-Style Snow Guard for Metal Roofs



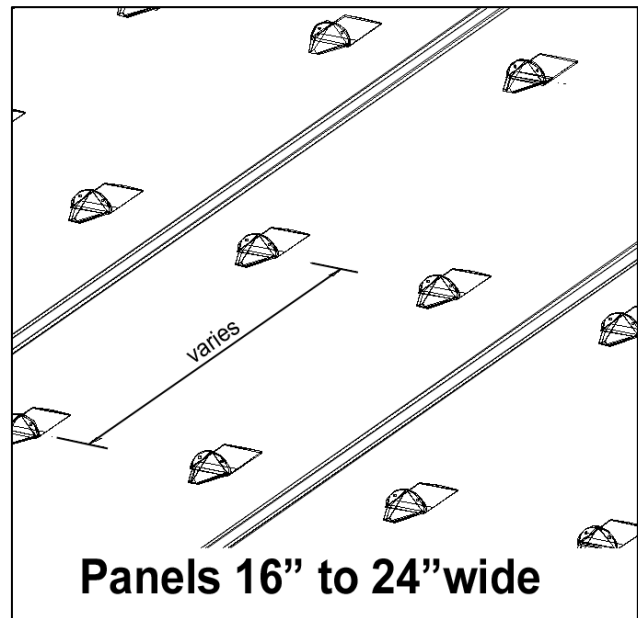
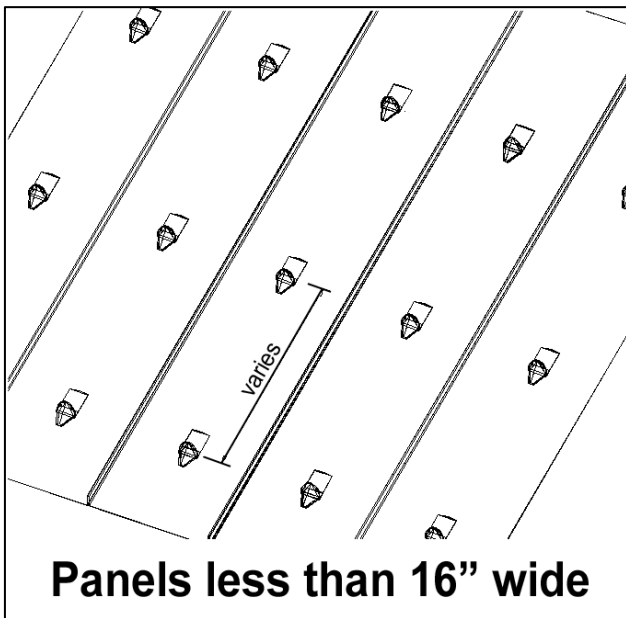
### #30CL Pad-Style Snow Guard Layout for Metal Panel Roofs

- Contact Manufacturer for detailed layout, or visit [www.alpinesnowguards.com](http://www.alpinesnowguards.com) to request a recommended layout and quote online.. Note: layout for the #30CL is the same as for the metal #30 snow guard on metal panels.
- For metal panels that are less than 16" wide, use 1 snow guard per panel per row.
- For metal panels that are 16" to 24" wide, use 2 snow guards per panel per row. For other metal panels spacing should be 12" on center horizontally.
- Vertical spacing and the number of rows needed are determined by the method of installation (through fastening, double-sided tape or solder), the distance eave to peak (B on diagram), the roof pitch and the Building Design Load (psf).



### #30CL Pad-Style Snow Guard per Row on Metal Roof Panels

Contact manufacturer for project specific recommended layout. Note: layout is the same as for the #30 metal snow guard on roof panels.



### #30CL Polycarbonate Half-Round Pad-Style Snow Guard for Metal Roofs