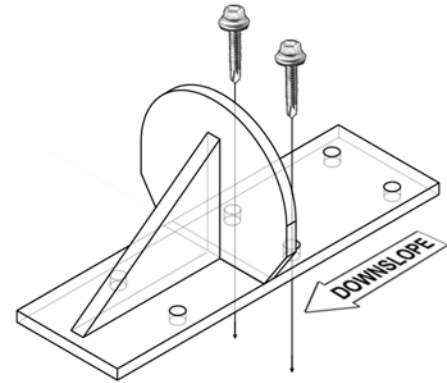


Installation Instructions for #30CL Snow Guards

Contact the manufacturer for project specific recommended layouts.

To mechanically fasten onto the roof (recommended for painted and mill finish aluminum and Galvalume®):

1. Determine where on the panel the snow guard is to be set.
2. Use an appropriate waterproofing sealant under the snow guard.
3. Place two of the appropriate fasteners through the snow guard, through the roof panel and into the roof structure.



Using Alpine Snow Guard Adhesive

1. The roof panel and snow guard should be clean and free from dust or grit and wiped with isopropyl alcohol.
2. Follow the instructions on the **Adhesive Installation Instructions for #30 Snow Guards** from Alpine SnowGuards.

To glue onto the roof with adhesive caulking: (DuraSil)

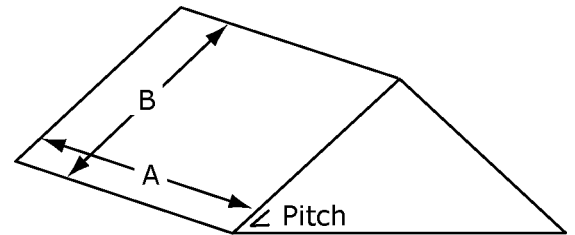
1. Prepare the area where the snow guard is to be installed in accordance with the adhesive manufacturer's published instructions. (Clean the roof with Isopropyl Alcohol.)
2. Scuff the back of the snow guard with 80 grit sand paper until all gloss is removed.
3. Apply a thin film of adhesive caulking (3 mil.) to the back of the snow guard.
4. Place snow guard on panel and apply pressure. Tool off excess adhesive from around the snow guard and from the top of the snow guard.
5. See adhesive manufacturer's instructions for curing periods.
6. Alpine does not warrant the use of DuraSil adhesives for installing snow guards.

#30CL Polycarbonate Half-Round Pad-Style Snow Guard for Metal Roofs



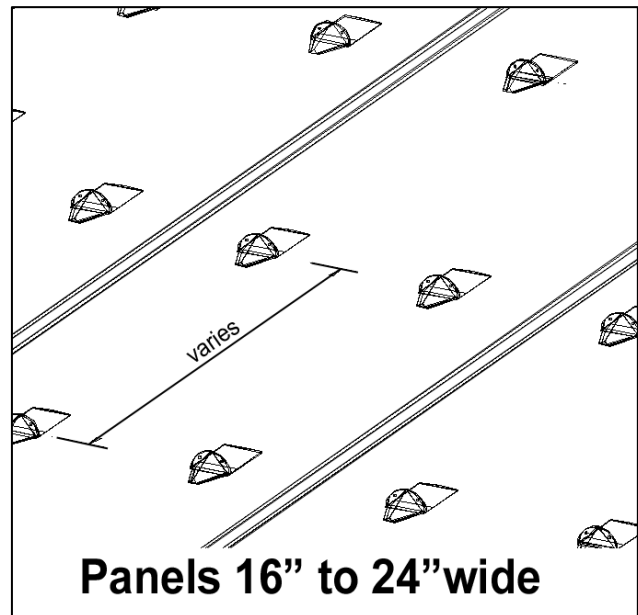
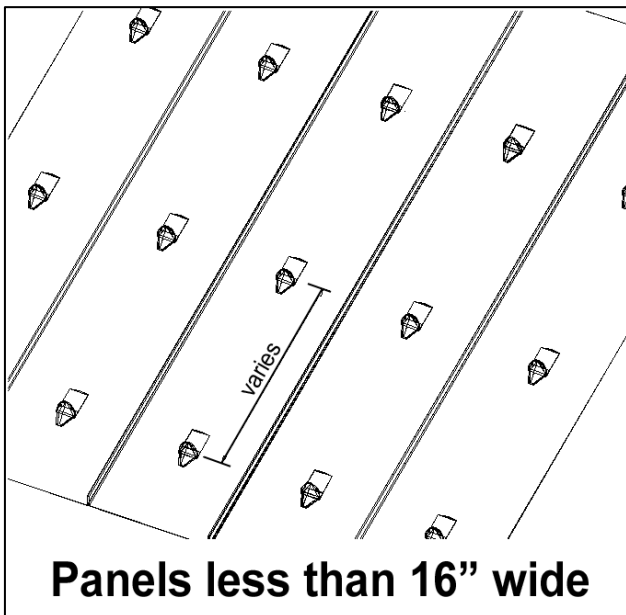
#30CL Pad-Style Snow Guard Layout for Metal Panel Roofs

- Contact Manufacturer for detailed layout, or visit www.alpinesnowguards.com to request a recommended layout and quote online.. Note: layout for the #30CL is the same as for the metal #30 snow guard on metal panels.
- For metal panels that are less than 16" wide, use 1 snow guard per panel per row.
- For metal panels that are 16" to 24" wide, use 2 snow guards per panel per row. For other metal panels spacing should be 12" on center horizontally.
- Vertical spacing and the number of rows needed are determined by the method of installation (through fastening, double-sided tape or solder), the distance eave to peak (B on diagram), the roof pitch and the Building Design Load (psf).



#30CL Pad-Style Snow Guard per Row on Metal Roof Panels

Contact manufacturer for project specific recommended layout. Note: layout is the same as for the #30 metal snow guard on roof panels.



#30CL Polycarbonate Half-Round Pad-Style Snow Guard for Metal Roofs