

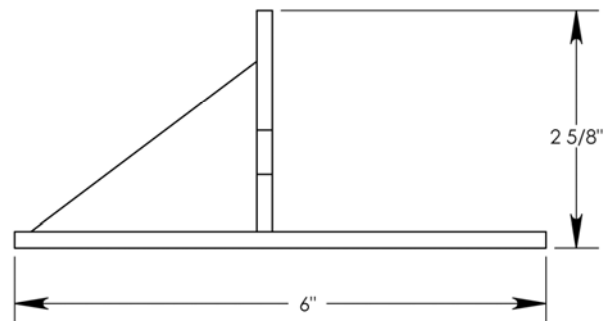
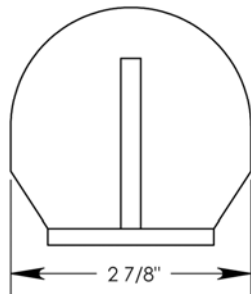
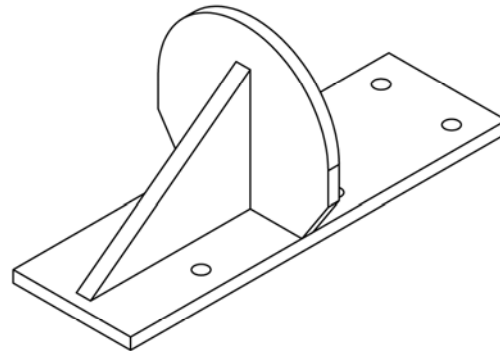
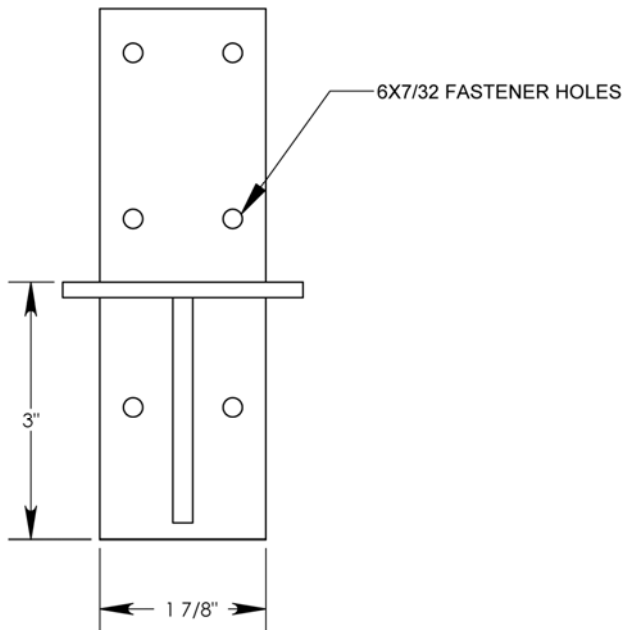


#30CL Polycarbonate Half-Round Pad-Style Snow Guard for Metal Roofs

NOTES:

1. SNOW GUARDS TO BE INSTALLED ACCORDING TO MANUFACTURER'S SPECIFICATIONS.
2. DO NOT SCALE DRAWINGS.
3. ATTACHMENT METHODS: ADHERING (DURASIL ADHESIVE), THROUGH-FASTENING.
4. CONTACT MANUFACTURER FOR SUGGESTED LAYOUT.

REVISIONS		
REV.	DESCRIPTION	DATE



#30CL Polycarbonate Half-Round Pad-Style Snow Guard for Metal Roofs