



ALPINE SNOWGUARDS™

www.alpinesnowguards.com

289 Harrel Street
 Morrisville, VT 05661
 Toll Free Phone 1.888.766.4273
 Toll Free Fax 1.888.766.9994
 Web www.alpinesnowguards.com
 E-mail info@alpinesnowguards.com

07 72 53 Snow Guards

NOTES;

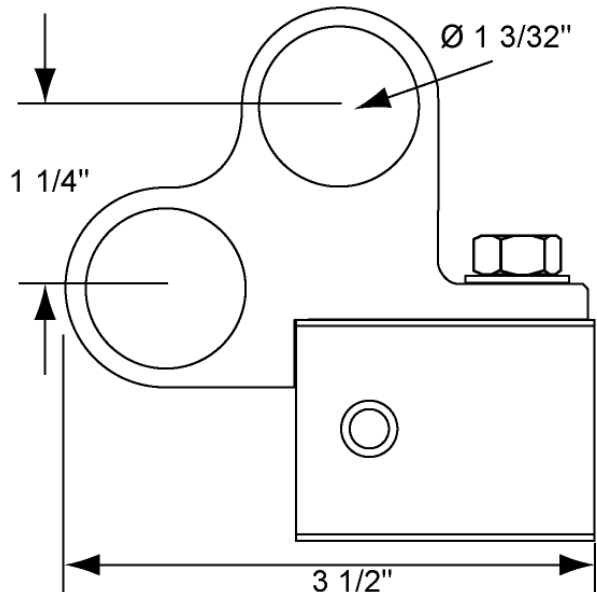
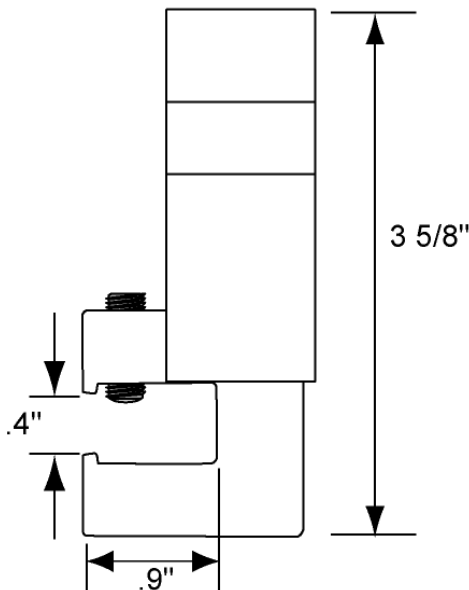
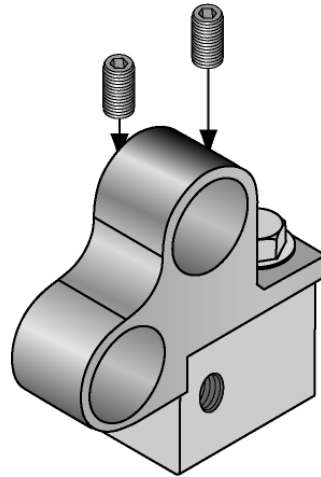
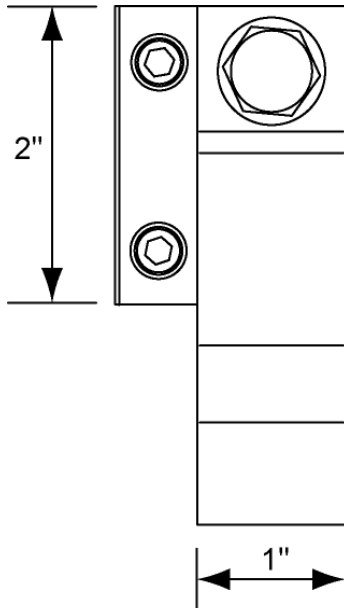
1. SNOW GUARDS TO BE INSTALLED ACCORDING TO MANUFACTURER'S SPECIFICATIONS.
2. DO NOT SCALE DRAWINGS.
3. CONTACT MANUFACTURER FOR DETAILED LAYOUT.
4. PRODUCTS MAY VARY FROM ILLUSTRATION.

- CONFIGURATION
- 2 PIPE

- MATERIAL
- ALUMINUM

- PIPE SYSTEM COMPONENTS
- PIPE
- END CAPS
- END COLLARS
- COUPLINGS
- ICE FLAGS (OPTIONAL)

- FINISH
- MILL (STANDARD)
- POWDER COATED
- RAL: # _____



I have verified that this clamp will fit the seam for this project.

Signature: _____ Date: _____

To confirm order, return signed cut sheet and sales quote.

#3000T Pipe-Style Snow Guard for Single-Lock Standing Seam Roofs

#3000T Snow Guard Specification Sheet

PART 1 - GENERAL

1.1 SUMMARY

A. WORK INCLUDES

1. #3000T Snow guard that does not penetrate the roof using S-5! Technology.
2. Provide appropriate snow guard and fasteners for the roof system.

B. RELATED SECTIONS

1. Section 07600: Flashing and Sheet Metal. MasterFormat™ 2004 07 60 00
2. Section 07610: Metal Roofing MasterFormat™ 2004 07 61 00
3. Division 7: Thermal and Moisture Protection.

1.2 SYSTEM DESCRIPTION

A. COMPONENTS:

1. #3000T snow guard system consists of snow guard block and bracket assembly and set screws.
2. Aluminum Pipe
3. Internal Couplings
4. End Collars
5. End Caps (optional).
6. Ice Flags (optional).

B. DESIGN REQUIREMENTS:

1. Spacing to be recommended by manufacturer or building engineer.
2. Uses 2 set screws per snow guard.
3. It is important to design new structures or assess existing structures to make sure that they can withstand retained snow loads.

1.3 SUBMITTAL

- A. Submit manufacturer's specifications, standard detail drawings, recommended layout and installation instructions.
- B. Provide manufacturer's test data for this roof type and roof deck, and calculations to support the recommended layout.

1.4 QUALITY ASSURANCE

- A. Installer to be experienced in the installation of specified roofing material and snow guards for not less than 5 years in the area of the project.

1.5 DELIVERY / STORAGE / HANDLING

- A. Inspect material upon delivery and order replacements for any missing or defective items. Keep material dry, covered and off the ground until installed.

PART 2 - PRODUCTS

2.1 MANUFACTURER

#3000T Pipe-Style Snow Guard for Single-Lock Standing Seam Roofs

-
- A. Alpine SnowGuards. A division of Vermont Slate & Copper Services Inc., 289 Harrell St, Morrisville, VT (888) 766-4273, www.alpinesnowguards.com.

2.2 MATERIALS

- A. Snow guard clamp and bracket are extruded and milled 6061-T6 and 6005-T5 Aluminum
- B. Tubing is 6061-T6 1" outside diameter and 1/8" wall thickness extruded Aluminum.
- C. Couplings are 2011 aluminum 3" long.
- D. End Caps are 302 stainless steel.
- E. Ice Flags are 5052-H32 Aluminum 3" x _" (as needed).
- F. End Collars are 6061-T6 aluminum shaft collars.
- G. Bolts and washers are 302 or 304 Stainless Steel.
- H. Set screws: 300 Series stainless steel, 18-8 alloy, 3/8 inch diameter, with round nose point, two per clamp. Cup-point setscrews are not permitted.

2.3 FINISH

- A. All materials provided mill finish. Coatings available upon request.

PART 3 - EXECUTION

3.1 EXAMINATION

- A. Substrate: Inspect roof system to be properly attached and installed to withstand additional loading incurred. Notify General Contractor of any deficiencies before installing Alpine SnowGuards.

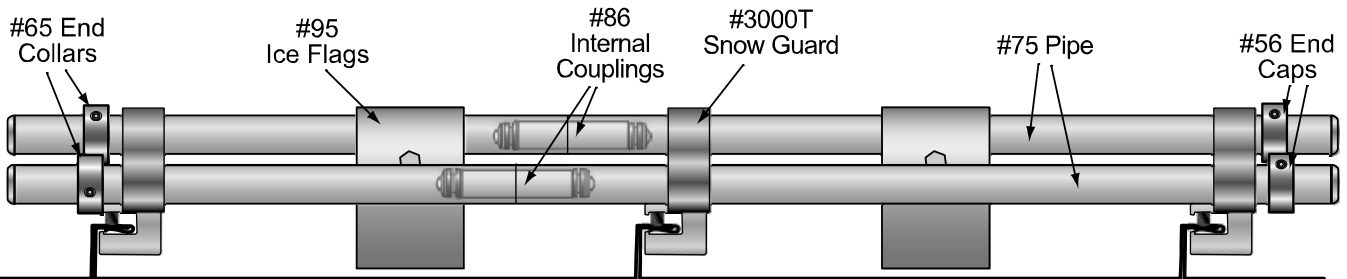
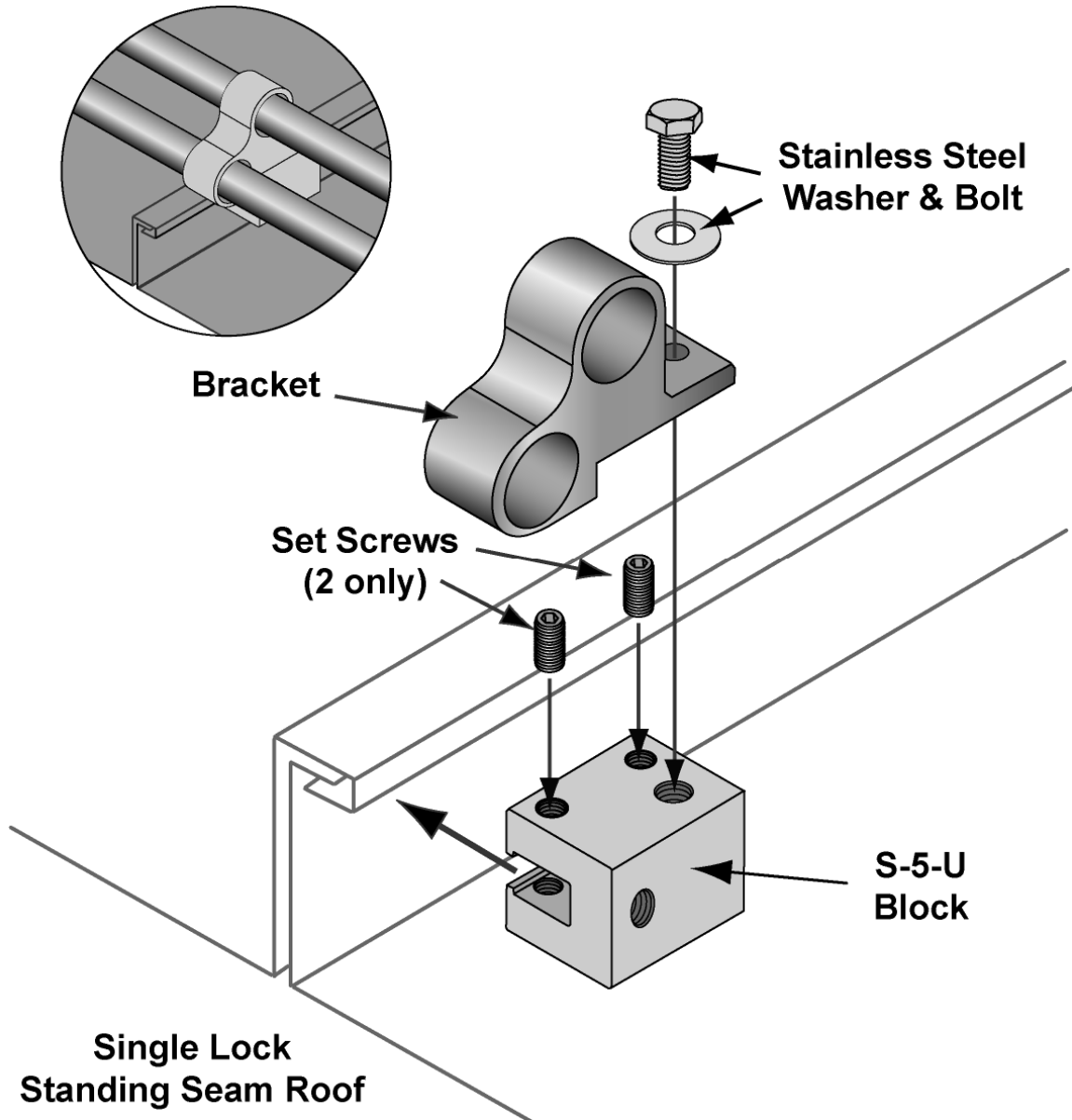
3.2 INSTALLATION

- A. Comply with architectural drawings for location and with Manufacturer's instructions for installation

#3000T Pipe-Style Snow Guard for Single-Lock Standing Seam Roofs



#3000T Pipe-Style Snow Guard for Single-Lock Standing Seam Roofs



#3000T Pipe-Style Snow Guard for Single-Lock Standing Seam Roofs