

Installation Instructions for #30 Snow Guards

Contact the manufacturer for project specific recommended layouts.

To mechanically fasten onto the roof_ (recommended for painted and mill finish aluminum and Galvalume®):

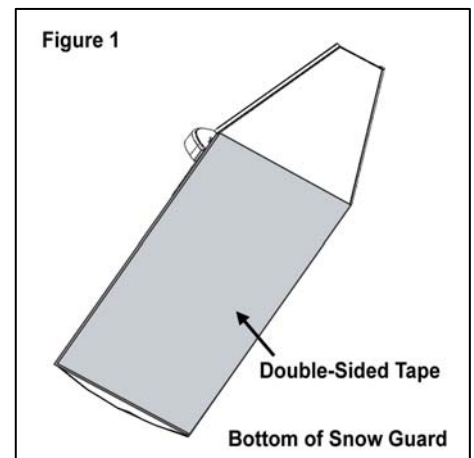
1. Determine where on the panel the snow guard is to be set.
2. Use an appropriate waterproofing sealant under the snow guard.
3. Place two of the appropriate fasteners through the snow guard, through the roof panel and into the roof structure.

To adhere onto the roof using Alpine Snow Guard Adhesive

1. Follow the instructions on the Alpine Snow Guard Adhesive's instruction page.

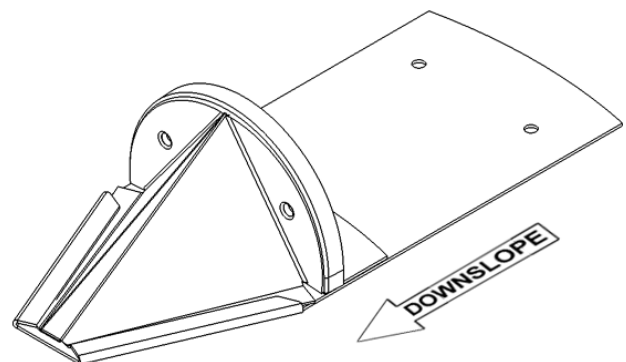
To adhere onto the roof with adhesive tape:

1. Prepare the area where the snow guard is to be installed and the back of the snow guard in accordance with the adhesive manufacturer's published instructions. We recommend that you use Normount Tape manufactured by Norton Performance Plastics.
2. Apply the double-sided tape to the back of the snow guard as shown in figure 1.
3. Apply pressure as instructed by the adhesive manufacturer.
4. Caulk the entire perimeter of the snow guard with a very thin bead of sealant.
5. See adhesive manufacturer's instructions for curing periods.
6. Alpine does not warrantee the use of adhesives for installing snow guards.



To solder onto the roof (recommended for copper, lead-coated copper, zinc stainless steel and TCS):

1. The backs of the snow guard should be tinned.
2. Determine where on the panel the snow guard is to be set and clean the spot well.
3. Flux, and tin the spot.
4. Place the snow guard in place and heat the snow guard sufficiently to melt the solder on the snow guard and on the panel and allow to cool. If possible this procedure can be done on the ground before installation of panels.

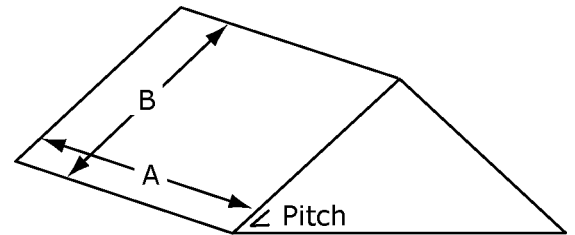


#30 Half-Round Pad-Style Snow Guard for Metal Roofs



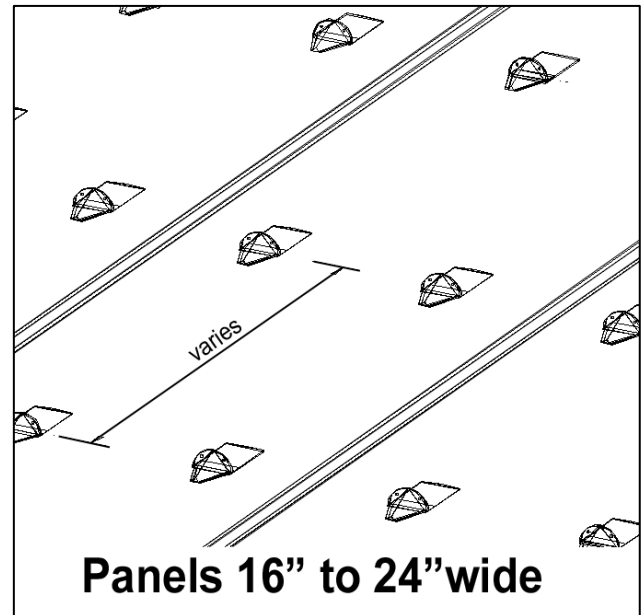
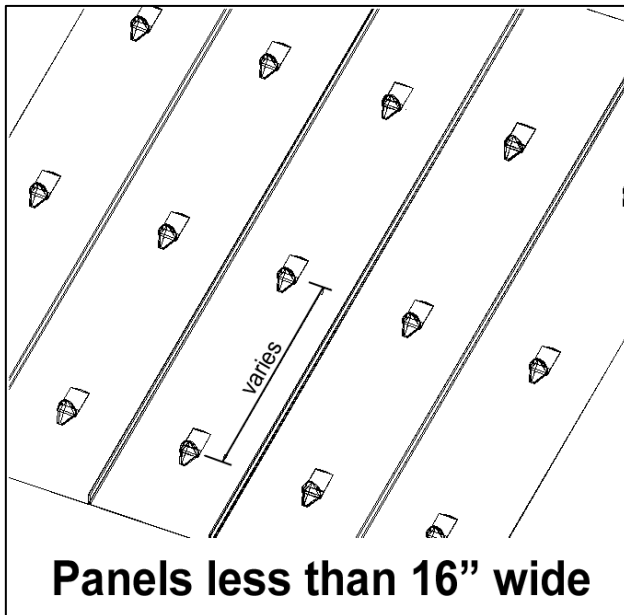
#30 Pad-Style Snow Guard Layout for Metal Panel Roofs For Through-Fastening Or Using Alpine Snow Guard Adhesive

- Contact Manufacturer for detailed layout, or visit www.alpinesnowguards.com to request a recommended layout and quote online..
- For metal panels that are less than 16" wide, use 1 snow guard per panel per row.
- For metal panels that are 16" to 24" wide, use 2 snow guards per panel per row. For other metal panels spacing should be 12" on center horizontally.
- Vertical spacing and the number of rows needed are determined by the method of installation (through fastening, double-sided tape or solder), the distance eave to peak (B on diagram), the roof pitch and the Building Design Load (psf).



#30 Pad-Style Snow Guard per Row on Metal Roof Panels

Contact manufacturer for project specific recommended layout.



- For metal panels that are 16" wide or less, use 1 snow guard per panel per row.
- For metal panels that are 16" to 24" wide, use 2 snow guards per panel per row.

#30 Half-Round Pad-Style Snow Guard for Metal Roofs