



NOTES:

1. INSTALLATION TO BE COMPLETED IN ACCORDANCE WITH MANUFACTURER'S SPECIFICATIONS.
2. DO NOT SCALE DRAWINGS.
3. CONTACT MANUFACTURER FOR DETAILED LAYOUT.
4. PRODUCTS MAY VARY FROM ILLUSTRATIONS.
5. ITEMS SUBJECT TO CHANGE WITHOUT NOTICE.

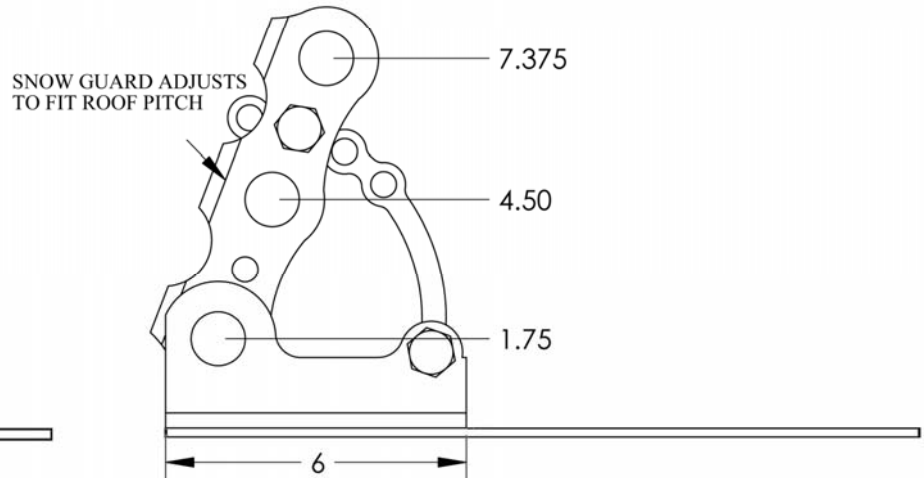
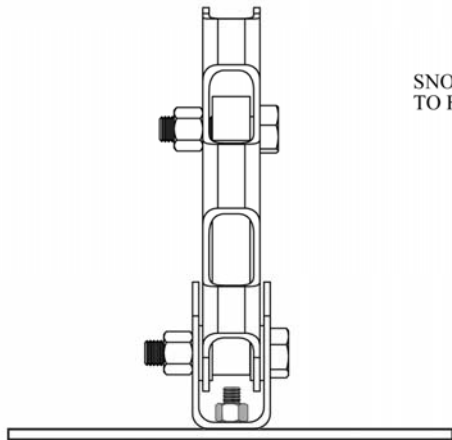
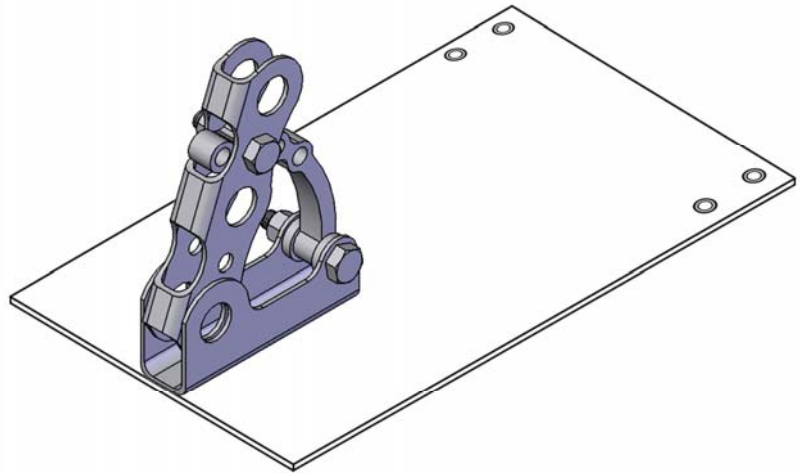
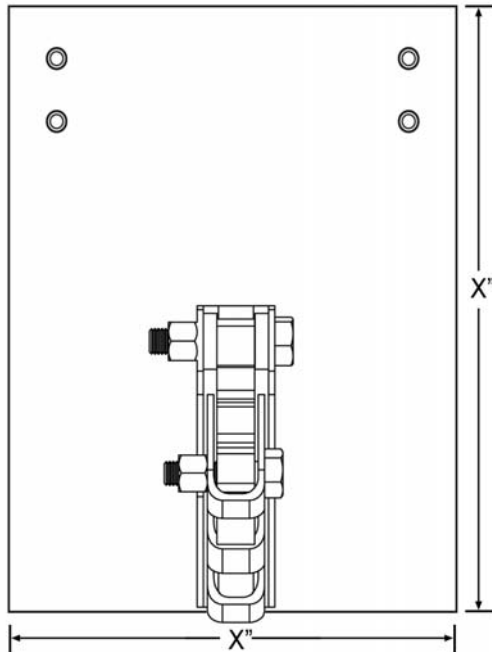
REVISIONS		
REV.	DESCRIPTION	DATE

SELECT DESIRED FINISH

- ALUMINUM
 - MILL (STANDARD)
 - POWDER COAT
- BRASS

PIPE SYSTEM INCLUDES:

- ICE FLAG
- END CAPS
- END COLLARS
- PIPE
- COUPLINGS



#225 Pipe-Style Snow Guard for Tile/Shingle/Shake Roofs



#225 Aluminum/Stainless Snow Guard Specification Sheet

PART 1 - GENERAL

1.1 SUMMARY

A. WORK INCLUDES

1. #225 Snowguard that attaches directly to the roof deck.
2. Provide appropriate snowguard and fasteners for the roof system.

B. RELATED SECTIONS

1. Section 07600: Flashing and Sheet Metal MasterFormat™ 2004 07 60 00
2. Section 07310: Shingles MasterFormat™ 2004 07 31 00
3. Section 07320: Roofing Tiles MasterFormat™ 2004 07 32 00
4. Division 7: Thermal and Moisture Protection.

1.2 SYSTEM DESCRIPTION

A. COMPONENTS:

1. #225 Snowguard system consists of :
 - a. Snowguard bracket.
 - b. Base plate with 2 threaded studs for attaching snowguard assembly.
2. Aluminum tubing.
3. Couplings.
4. End Caps (optional).
5. End Collars (optional).
6. Fasteners
 - a. To be of metal compatible with snowguards.
 - b. Fasteners should be selected for compatibility with the roof deck.
 - c. Fastener strength should exceed or be equal to that of the snowguard system.

B. DESIGN REQUIREMENTS:

1. Spacing to be recommended by manufacturer or building engineer.
2. Minimum 4 fasteners per snowguard.
3. It is important to design new structures or assess existing structures to make sure that they can withstand retained snow loads.

1.3 SUBMITTAL - Submit manufacturer's specifications, standard detail drawings, recommended layout and installation instructions.

1.4 QUALITY ASSURANCE - Installer to be experienced in the installation of specified roofing material and snowguards for not less than 5 years in the area of the project.

1.5 DELIVERY / STORAGE / HANDLING - Inspect material upon delivery and order replacements for any missing or defective items. Keep material dry, covered and off the ground until installed.

PART 2 - PRODUCTS

2.1 MANUFACTURER

- A. Alpine SnowGuards. A division of Vermont Slate & Copper Services Inc., 289 Harrel St, Morrisville, VT (888) 766-4273.

2.2 MATERIALS

- A. Snowguard Bracket is extruded and milled 6061 and 5052 Aluminum
- B. Base Plate is 11 gauge thick 302 Stainless Steel.
- C. Tubing is 6005-T5 1" outside diameter and 1/8" wall thickness extruded Aluminum.
- D. Couplings are 2011 Aluminum 3" long.
- E. End Caps are 302 stainless steel.
- F. Ice Flags are 5052 Aluminum 3" X ___ as needed.
- G. End Collars are 6061 T-6 aluminum shaft collars.
- H. Fasteners are 304 18-8 Finish Stainless Steel.

2.3 FINISH - All materials provided mill finish.

PART 3 - EXECUTION

3.1 EXAMINATION

- A. Substrate: Inspect roof system to be properly attached and installed to withstand additional loading incurred. Notify General Contractor of any deficiencies before installing Alpine SnowGuards.

3.2 INSTALLATION

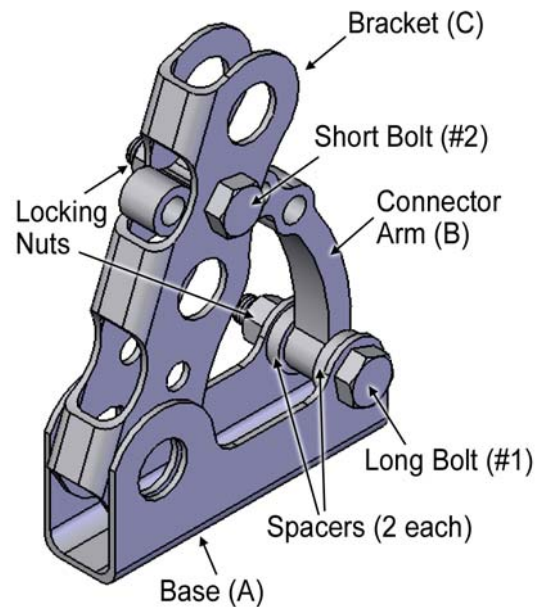
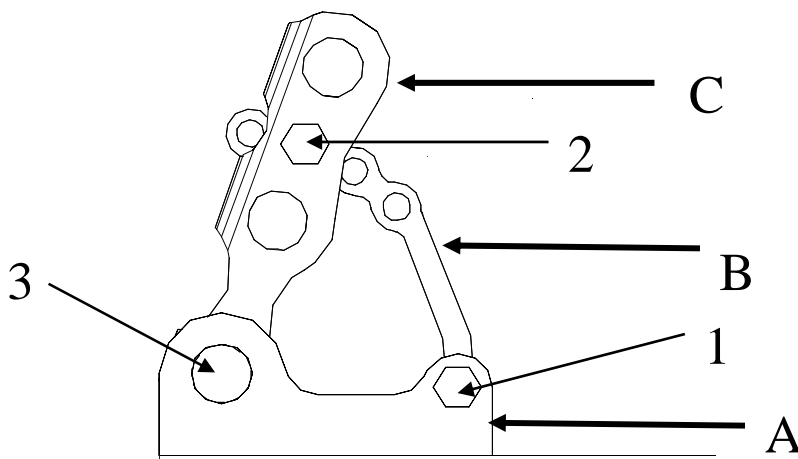
- A. Comply with architectural drawings for location and with Manufacturer's instructions for installation.

#225 Pipe-Style Snow Guard for Tile/Shingle/Shake Roofs

Assembly Instructions for #225 Pipe Style Snow Guards

1. Slate, Shingle, and Concrete Tile Installation. (#225)

- A. Brackets can be mounted onto the plate (using the hex bolts) before or after the plate has been screwed or bolted to the roof deck.
- B. Plates should be securely bolted or screwed to the roof in place of a shingle or tile
- C. Consult with manufacturer, project engineer or fastener company to determine the fastener required to attach the base plate to the sub-structure.
- D. Bolt the bottom piece of the bracket (A) to the base plate.
- E. Attach connector (B) to base piece by bolting through hole (1) in the base piece.
- F. Connect pipe bracket (C) to connector (B) by bolting through hole (2) using the bolt supplied.
- G. Insert tubing through the holes in the pipe bracket (C). The hole (3) in the bottom piece (A) and in the pipe bracket (C) will line up and have one pipe fed through both. The first pipe installed should be fed through this hole. This will stabilize the bracket for the rest of the installation.
- H. Brackets are usually adjusted so that the pipes are perpendicular to the ground. Check with architect or owner for final approval.



2. Locking Collars, End Caps, and Ice Flags (optional)

- A. Locking collars (#65) should be placed over each end of each line of tubing. Center the tubing on the snow guards and tighten the set screw on the collar until it no longer slips.
- B. End caps (#56) are installed by pressing the cap into the end of the pipe.
- C. Ice flags (#95), if used, should be placed over the top tube so that the long leg rests against the uphill side of both tubes. Use the carriage bolt and nut to hold the ice flag in position.

Snow Guard Layout for Pipe Style Brackets

- * Contact the manufacturer for recommended layout.
- * Do not install runs than 100 feet long without a break to allow for thermal expansion.
- * First row of snow guards is installed above outer most wall or support of the building.
- * Tubing is 1" O.D. aluminum.
- * Brackets are made of aluminum, brass or stainless steel.

#225 Pipe-Style Snow Guard for Tile/Shingle/Shake Roofs